

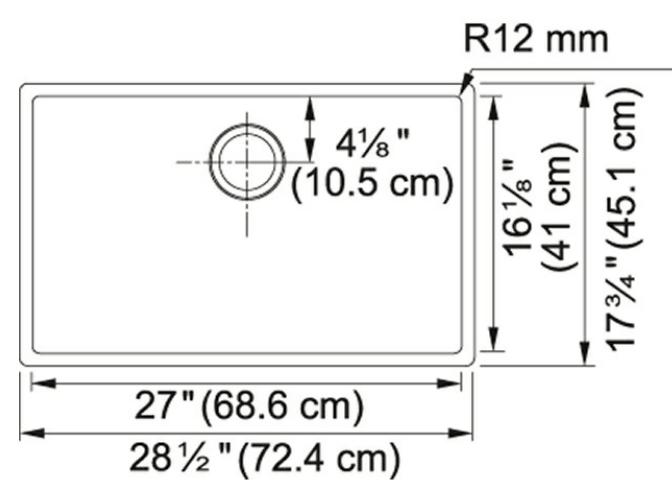
Cube Stainless Steel

With the modern 18 gauge stainless steel design of the Cube family, this Swiss engineered line of sinks has it all. The single and double bowl styles offer a clean, sleek look with an easy-to-clean silk finish, deep bowls to accommodate any task and sound dampening pads. 12 MM radius corners give these sinks a linear look and bold style for your kitchen workspace.

Product Picture



Technical Drawing



Product Dimensions

Length overall	28 1/2"
Width overall	17 11/16"
Length of large bowl	26 15/16"
Width of large bowl	16 1/8"
Depth of large bowl	5"
Minimum Cabinet Size	33"

General Information

Type of Material	18 Gauge Stainless Steel
Number of Bowls	1
Faucet Hole	NO
Where to buy	Showroom

Article Numbers

FUN#	122.0484.656
US Part Number	CUX11027-ADA

