

# DRF367500AP

## 36-INCH FRENCH DOOR BOTTOM FREEZER

MODERNIST, PANEL-READY



### FEATURES & BENEFITS

- Full height door with true flush cabinet integration without exposed venting grille
- SteelCool™ Stainless Steel Interior Illuminated by 3DLighting™
- FreshZone™ Drawer with three customizable temperatures for Meat/Fish, chilled drinks and dairy
- Internal Water Dispenser for easy access to clean, filtered water
- Dual Icemaker with Standard and Cocktail Ice™

### TEMPERATURE RANGES

Refrigerator	34°F (1°C) to 44°F (7°C)
Refrigerator - Power Cool	34°F (1°C)
FreshZone™ Drawer	37°F (3°C) / 33°F (1°C) / 29°F (-1°C)
Freezer	5°F (-15°C) to -8°F (-23°C)
Freezer - Power Freeze	-8°F (-23°C)

### ACCESSORIES (OPTIONAL)

Silver Stainless Steel - 36" FDR Upper Panel - Left	RAF36DPULSR
Silver Stainless Steel - 36" FDR Upper Panel - Right	RAF36DPURSR
Silver Stainless Steel - 36" FDR Bottom Panel	RAF36DPBDSR
Silver Stainless Steel - 36" Kick Plate	RAC36TKBBSR
Silver Stainless Steel - Modernist Handle	RAC00MHAASR
Silver Stainless Steel - Dacor Pro Handle	RAC00PHAASR
Pair Installation Kit	RAC00CPAAAA
Water Filter	RAC00WFAAAA
Deodorizing Filter	RAC00DFAAAA

### GENERAL PROPERTIES

Panel-Ready	Yes
Push-To-Open™ Door Assist	No
Internal Water Dispenser	Yes
Icemaker	Dual Icemaker for Standard and Cocktail Ice™
iQ RemoteView™ Camera	No
Deodorizing Filter	Yes
Lighting	3DLighting™
Interior Material	SteelCool™ Stainless Steel Interior
Full Width Shelves - Refrigerator	2 ea
Adjustable Shelves - Refrigerator	2 ea
Shelf Material - Refrigerator	Tempered Glass Shelves w/Metal Trim
Full Extension Drawers at 90° Door Opening Angle	Yes
FreshZone™ Drawer	Yes: Cheese (37°F) / Cold Drinks (33°F) / Meat (29°F)
Humidity Control Crispers	2 ea
Door Bins - Refrigerator	6 ea
Freezer Drawers	2 ea
Door Open Alarm	Yes
Special Modes	Sabbath Mode

### PERFORMANCE

Double Cooling (2 evaporators, 1 compressor)	Yes
Power Cool - Refrigerator	Yes
Power Freeze - Freezer	Yes
Defrost Process - Freezer	Frost-Free
Temperature Fluctuation	±0.36°F* (±0.5°C*)

### CAPACITY

Total Unit Gross Capacity (cu. ft.) - AHAM	21.3
Refrigerator Gross Capacity (cu. ft.)	14.5
Freezer Gross Capacity (cu. ft.)	6.8

### DIMENSIONS & WEIGHT

Appliance Dimensions (H x W x D) (in.)	83 3/8" x 35 3/4" x 23 13/16"
Required Cutout Size (H x W x D) (in.)	84" x 36" x 25"
Net Weight (lbs)	562

### EFFICIENCY

ENERGY STAR Qualified	Yes
Annual Energy Consumption	549 kWh/year

### TECHNICAL DETAILS

Current (A)	6.0
Volts (V)	115
Frequency (Hz)	60
Power Cord Length (in.)	78 3/4"
Plug Type	120V, 3 Prong

### WARRANTY

Limited, Entire Appliance, Parts and Labor on Any Part of the Refrigerator	2 Year
Limited Warranty for Sealed Refrigeration System; Parts and Labor	3rd to 6th Year
Limited Warranty for Sealed Refrigeration System; Parts Only	7th to 12th Year

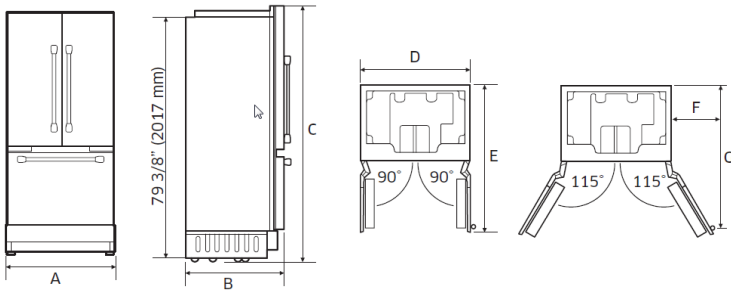
# DRF367500AP

## 36-INCH FRENCH DOOR BOTTOM FREEZER

MODERNIST, PANEL-READY

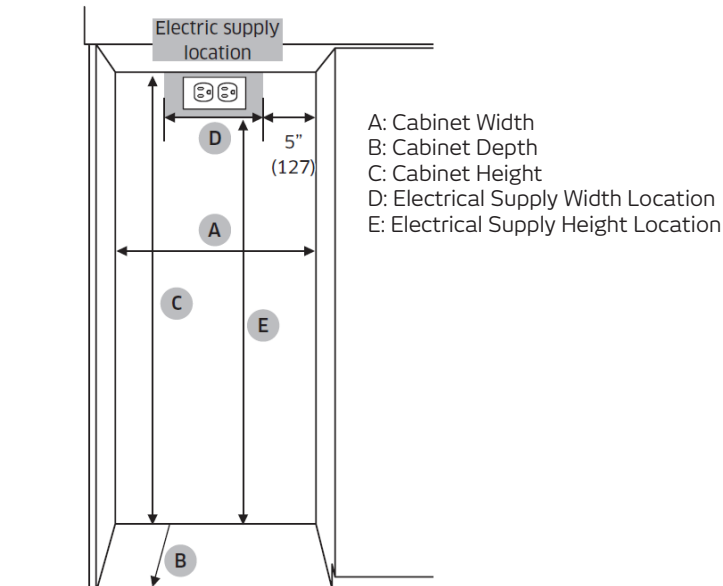


### APPLIANCE DIMENSIONS



	DRF36C100SR
A (Width)	35 3/4" (908mm)
B (Depth)	25" (635mm)
C (Height)	83 3/8" (2118mm) - Front
D	35 5/8" (905mm)
E	44 7/8" (1140mm)
F	20 9/16" (496mm)
G	44" (1118mm)

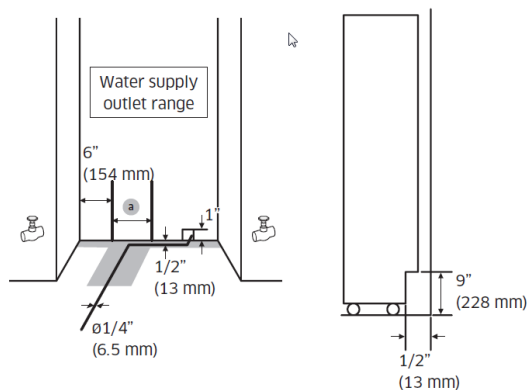
### CUTOUT DIMENSIONS



	DRF36C100SR
A	36" (915mm)
B	25" (635mm)
C	84" (2134mm)
D	26" (660mm)
E	80" (2032mm)

B: Includes the standard door panel thickness with 3/4".  
 Installation inside a cabinet of this width allows the refrigerator trim to be attached directly to the surrounding cabinets.

### WATER SUPPLY MEASUREMENTS



	DRF36C100SR
a	9" (228mm)