

STALLBROOK™ WASHOUT URINAL

- Vitreous china
- Sloping front stall urinal
- Universal consumption 0.50 to 1.0 gpf (1.9 to 3.8 Lpf)
- Integral flush spreader
- Washout flush action
- 3/4" inlet spud
- Fixture only
- Meets ASME flush requirements at 0.50 to 1.0 gpf

6400.001 Top Spud

Nominal Dimensions:

381 x 457 x 972mm
(15" x 18" x 38-1/4")

Recommended working pressure – between 20 psi at valve when flushing and 80 psi static

Compliance Certifications -

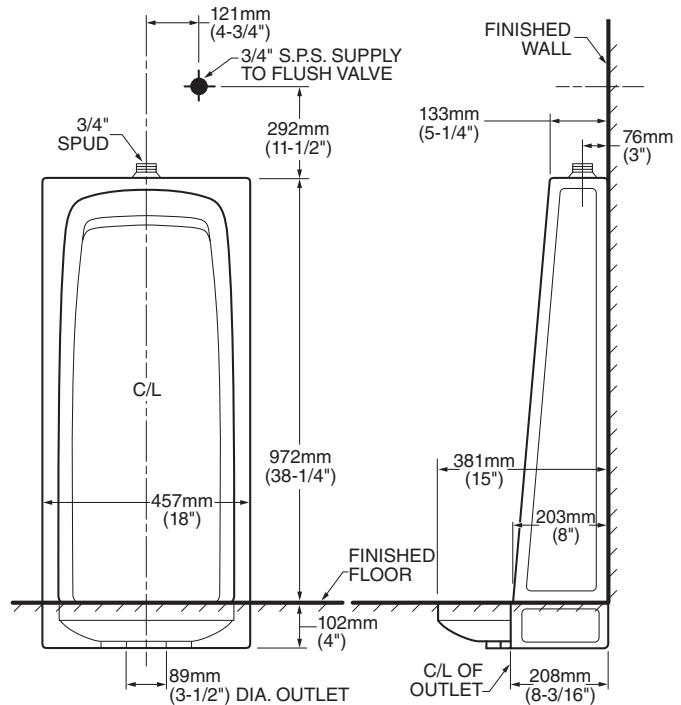
Meets or Exceeds the Following Specifications:

- ASME A112.19.2 for Vitreous China Fixtures



To Be Specified:

- Color: White
- Flush Valve:
 - 1.0 gpf Flush Valve: Sensor-Operated:
 - American Standard Selectronic™ #6063.101.002 DC Power (Top Spud)
 - 0.5 gpf Flush Valve: Sensor-Operated:
 - American Standard Selectronic™ #6063.051.002 DC Power (Top Spud)
- Strainer (suggest McGuire #1233 or equivalent)




NOTES:
FLUSH VALVE NOT INCLUDED AND MUST BE ORDERED SEPARATELY.

IMPORTANT: Dimensions of fixtures are nominal and may vary within the range of tolerances established by ANSI Standard A112.19.2. These measurements are subject to change or cancellation. No responsibility is assumed for use of superseded or voided pages.



When used with 0.5 gpf urinal flush valves



 **MEETS THE AMERICANS WITH DISABILITIES ACT GUIDELINES AND ANSI A117.1 ACCESSIBLE AND USEABLE BUILDINGS AND FACILITIES - CHECK LOCAL CODES.**
NOTE: Electronic Flush Valve required to meet ADA Flush Valve Height Requirement.