

**PORTSMOUTH® 23 x 18 SINGLE BOWL  
STAINLESS STEEL KITCHEN SINK**

**□ 18SB.9231800S.075**

- Single Bowl Stainless Steel kitchen sink
- 18 Gauge Stainless Steel
- 9" Deep Bowl
- Undermount installation
- 30" (762mm) cabinet required
- Includes:
  - 9028000.075 Waste Fitting
  - 791676-100.0070A Undermount Sink Clips
- Side and Bottom Sound Deadening Pads with undercoating
- Cutout template and instructions included
- Limited Lifetime Warranty



**Nominal Dimensions:**

23-3/8" x 17-3/4" x 9"  
(594 x 451 x 229mm)

**Bowl Size:**

21-3/8" (543mm) wide  
16" (406mm) front to back  
9" (229mm) deep

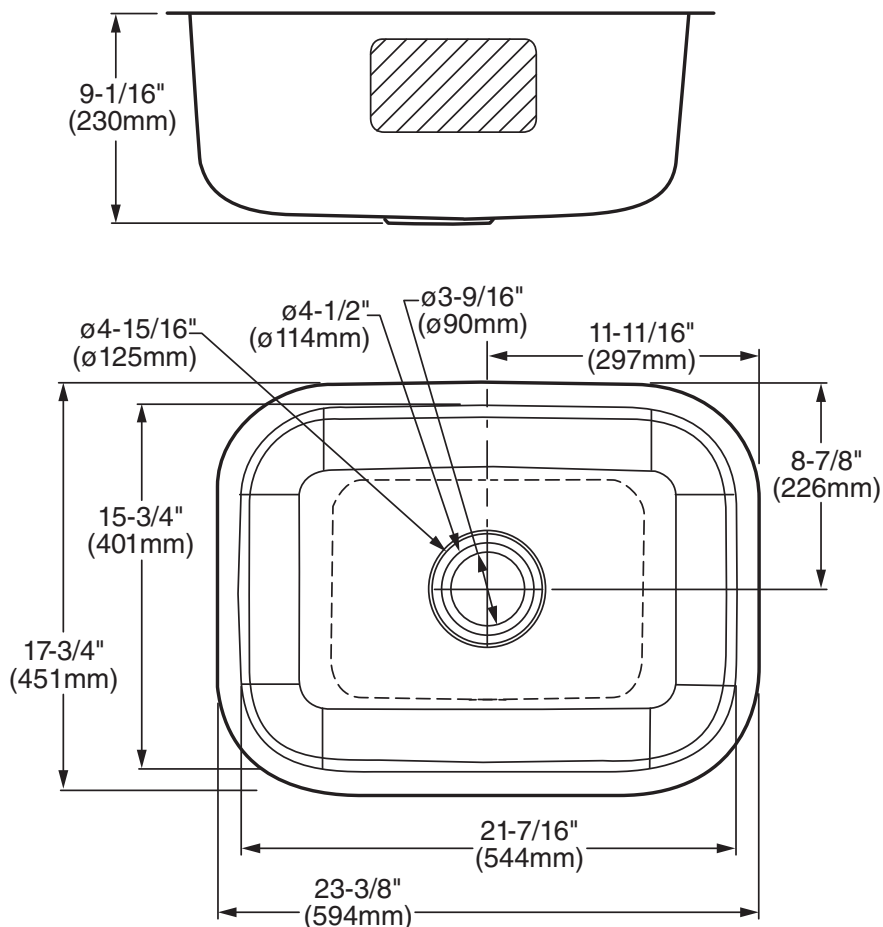
SEE REVERSE FOR ROUGHING-IN DIMENSIONS  
AND PRODUCT SPECIFICATIONS

**Compliance Certifications - Meets or  
Exceeds the Following Specifications:**

- ASME A112.19.3

**To Be Specified:**

- Color: Stainless Steel .075
- Optional Bottom Grid: 8452.231700.075



**NOTES:**

\* DIMENSIONS SHOWN FOR LOCATION OF SUPPLIED AND "P" TRAP ARE SUGGESTED.  
FITTINGS NOT INCLUDED WITH FIXTURE AND MUST BE ORDERED SEPARATELY.  
SEALING COMPOUND SUPPLIED BY OTHERS.

**IMPORTANT:** Dimensions of fixtures are nominal and may vary within the range of tolerances established by ANSI Standard A112.19.3.  
These measurements are subject to change or cancellation. No responsibility is assumed for use of superseded or voided pages.