



SYMMONS® Naru®

Hand Shower Wand 412W

Specification Submittal



Model Numbers

- 412W Hand Shower Wand

Finish Options

Append appropriate -suffix to model number.

- CG** -1.5 1.5 gpm (5.7 L/min) flow restrictor
- BBZ Brushed Bronze finish
- STN Satin nickel finish
- PNL Polished nickle finish
 - Polished chrome finish (standard)

Feature Highlights

- Three mode hand shower wand
- Metal construction with polished chrome finish

Standards / Certifications

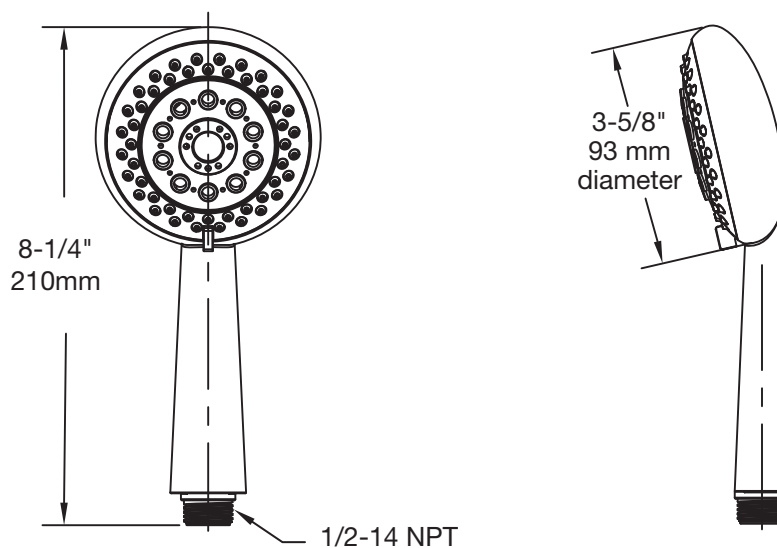
ASME A112.18.1/CSA B125.1



Warranty

- Limited Lifetime - to the original end purchaser in consumer installations.
- 5 years - for commercial installations

Dimensions *Naru Hand Shower Wand, 412W*



Note: *Dimensions subject to change without notice.*

Symmons Industries, Inc. ■ 31 Brooks Drive ■ Braintree, MA 02184
 Phone: (800) 796-6667 ■ Fax: (800) 961-9621
 Website: symmons.com ■ Email: gethelp@symmons.com

Copyright © 2018 Symmons Industries, Inc. ■ ZV-1141 REV B ■ 050418



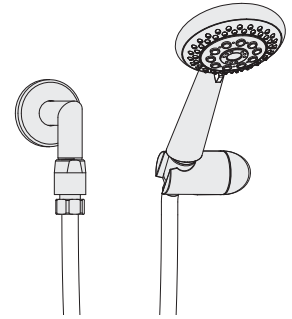
SYMMONS®
the smart choice™

Location:



Hand Shower 412HS


Specification Submittal



Model Numbers



- 412HS Hand Shower

Feature Highlights

- Three mode hand shower with wand#412W
- Wall connection and 5 foot flexible metal hose with in-line vacuum breaker
- Cradle for mounting hand shower
- Standard flow rate is 2.5 gpm (9.5 L/min)
Optional lower flow rate restrictor available 

Options / Modifications

Append appropriate -suffix to model number.

-  -2.0 2.0 (7.6 L/min) flow rate restrictor
-  -1.5 1.5 (5.7 L/min) flow rate restrictor
- L/HS Hand Shower wand not included
(includes hose, in-line vacuum breaker, wall connections and cradle only)
- R Vinyl hose in place of flexible metal hose
- 6 6 foot hose in place of standard 5 foot hose
- QD Quick-disconnect at hand shower wall connection

Standards / Certifications

ASME A112.18.1-2005/CSA B125.1-05

Finish Options

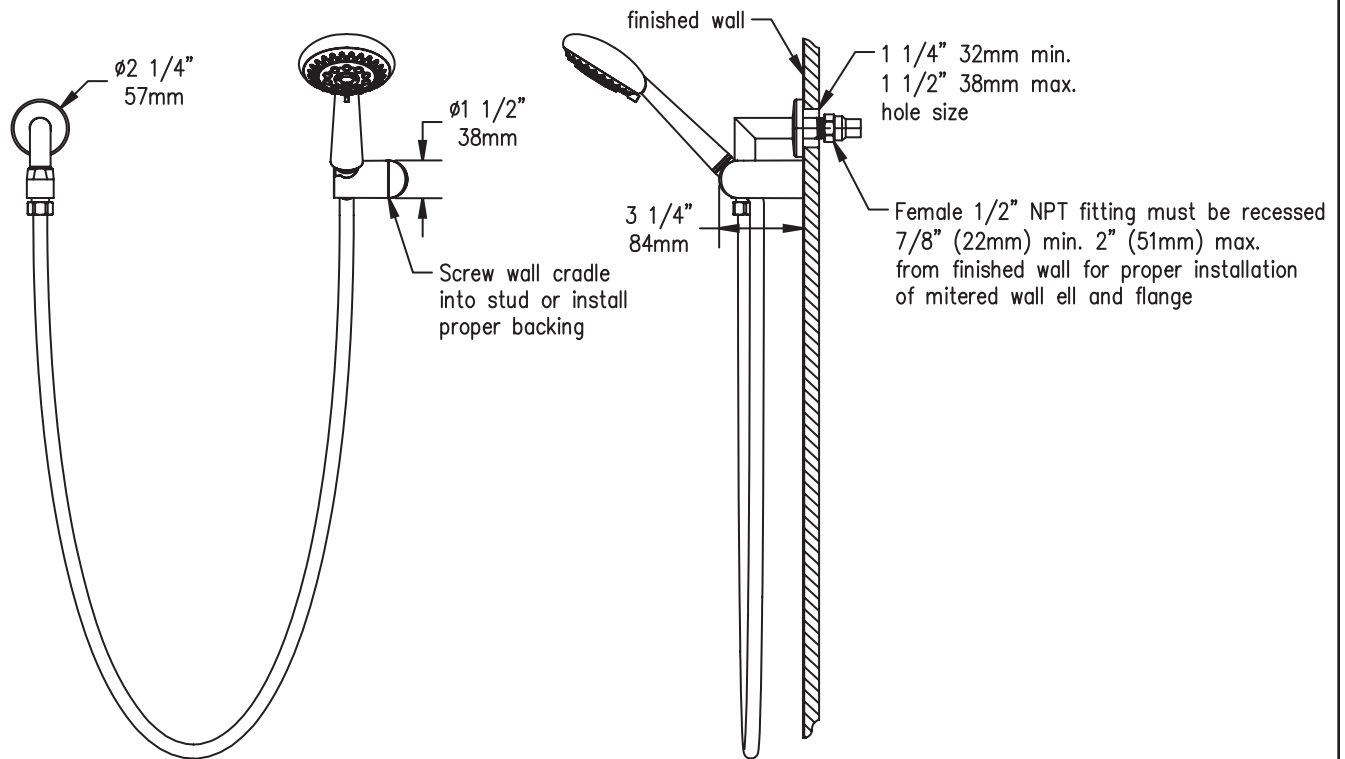
Append appropriate -suffix to model number.

- STN Satin nickel finish
- PNL Polished nickle finish
- Polished chrome finish (standard finish)

Warranty

- Limited Lifetime - to the original end purchaser in residential / consumer installations.
- 5 years - for commercial installations

Dimensions *Hand Shower, 412HS*



Note: Dimensions subject to change without notice.