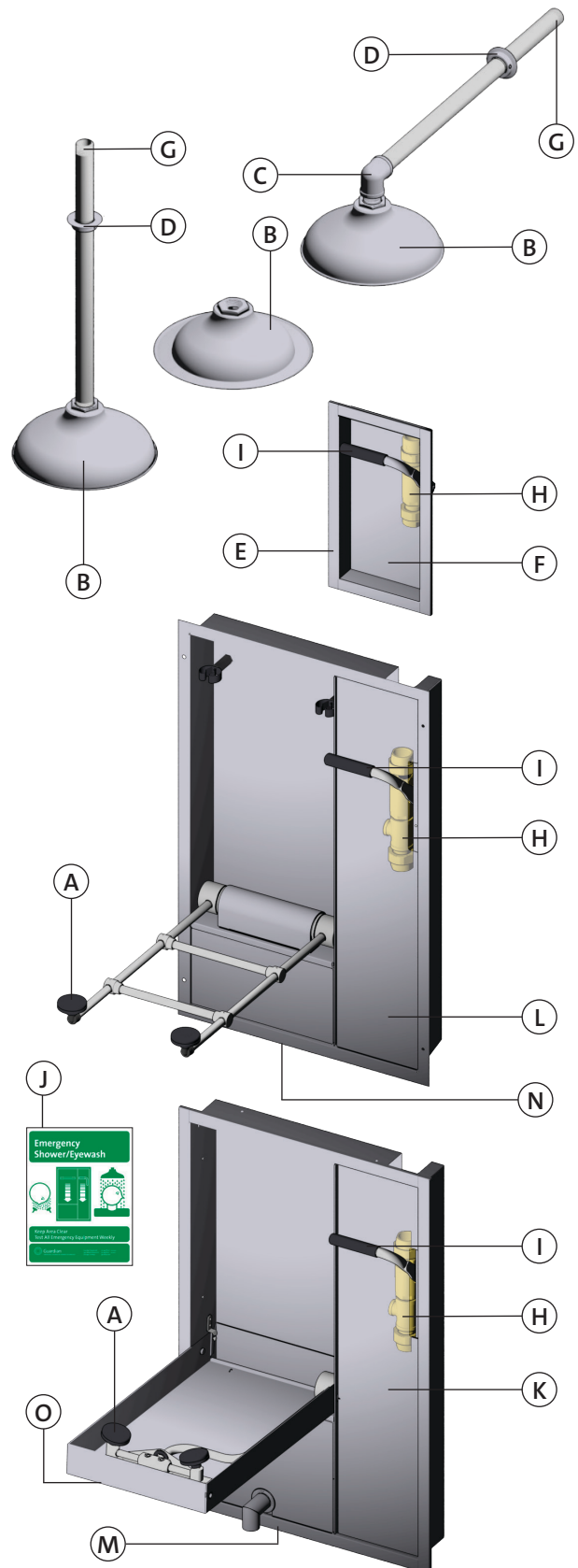




Item	Part Number	Description
A	AP470-021LDC	FS-Plus™ Spray Head
B	AP450-048	10" Dia. Stainless Steel Shower Head
	AP450-062	10" Dia. Recessed Flanged Stainless Steel Shower Head
C	320-08E	1" IPS Stainless Steel Street Elbow
	310-08SE	1" IPS Chrome Plated Brass Street Elbow
D	AP150-082A	Chrome Plated Brass Escutcheon
	AP150-082B	Stainless Steel Escutcheon
E	200-153	Housing for GBF1670 Series
F	200-155	Shower Valve Access Panel for GBF1670 Series
G	520-08-37	1" IPS X 37" Stainless Steel Supply Nipple
	520-08-21	1" IPS X 21" Stainless Steel Supply Nipple
	520-08-32	1" IPS X 32" Stainless Steel Supply Nipple
	520-08-52-4	1" IPS X 52-1/2" Stainless Steel Supply Nipple
	520-08C	1" IPS X Close Stainless Steel Supply Nipple
	510-08-37	1" IPS X 37" Chrome Plated Brass Supply Nipple
	510-08-21	1" IPS X 21" Chrome Plated Brass Supply Nipple
H	AP600-350-FC20	Shower Valve Assembly for GBF2100 & GBF1670 Series (Includes Valve, Valve Handle And Unions)
	AP600-355-FC20	Shower Valve Assembly for GBF2150 Series (Includes Valve, Valve Handle And Unions)
	AP250-054	Union Assembly
	AP250-054A-FC20	Brass Union Assembly
I	050-111R	Stainless Steel Handle with Grip
	050-112	Foam Grip for Valve Handle
J	250-012G	Emergency Safety Station Sign
K	200-038A	Shower Valve Access Panel for GBF2150 Series
	200-039A	Access Panel for GBF1735DP
L	200-008A	Access Panel for GBF2100, GBF2110 & GBF2120
M	200-034A	Eye/Face Wash Valve And Drain Access Panel for GBF2150 Series & GBF1735DP
	200-134B	Eye/Face Wash Valve And Drain Access Panel for GBF2152 Series & GBF1735FDP
N	200-004A	Eye/Face Wash Valve And Drain Access Panel for GBF2100 Series & GBF1735
O	AP050-115	Handle Assembly for GBF2150 series

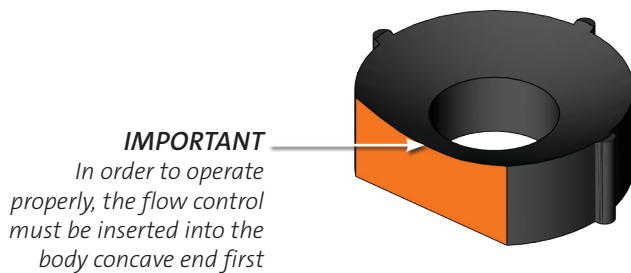
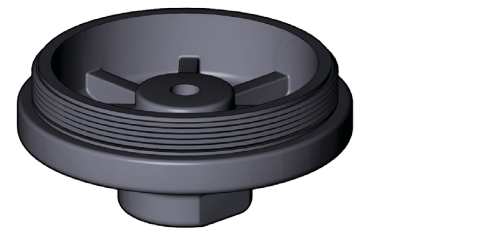
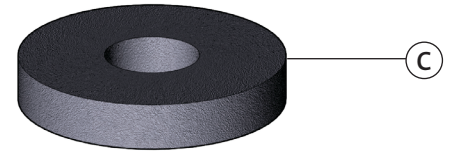
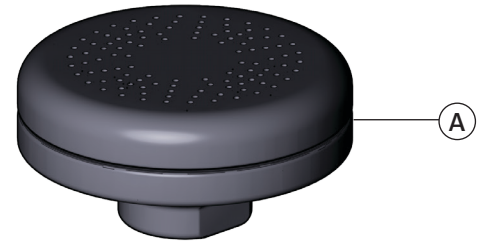




This Guardian Equipment product is equipped with FS-Plus™ spray heads. Each head features:

- Tough polypropylene plastic construction.
- Easily accessible 3.2 GPM flow control.
- Dense (60 pore per inch) polyurethane filter.
- Unique design provides a consistently soft, full spray of water across a range of working pressures from 30 to 100 psi.

Item	Part Number	Description
A	AP470-021LDC	FS-Plus™ Spray Head (assembled)
B	470-026R	Cap
C	470-024R	60 PPI Polyurethane Filter
D	470-025R	3.2 GPM Flow Control



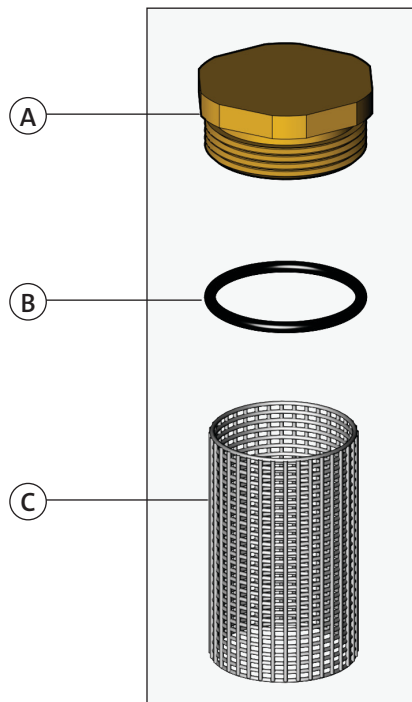


To perform weekly cleaning of the strainer:

1. Unscrew the strainer bonnet (a).
2. Inspect the o-ring (b) for damage. Replace if needed.
3. Remove cylindrical screen (c) and rinse under clean water. Gently rub the screen until all debris has been removed.
4. Carefully reinsert screen into the counterbore within the strainer body (should fit snugly).
5. Replace strainer bonnet and test for proper operation of strainer and eye/face wash.

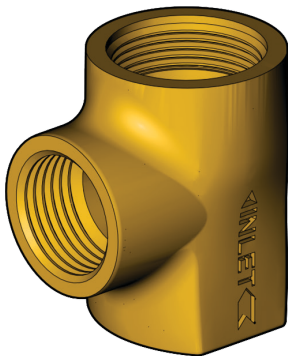
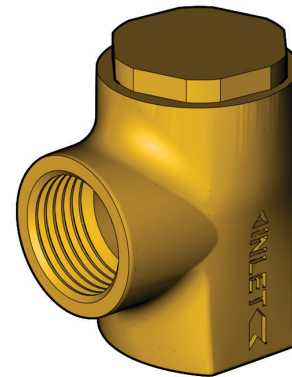
Important:

All emergency equipment must be inspected and tested at least weekly to ensure proper operation. On units equipped with an in-line strainer, weekly inspection should also include checking the strainer for accumulation of debris or foreign matter. Such debris can impair the flow of water through the strainer and prevent the eye/face wash from functioning properly.



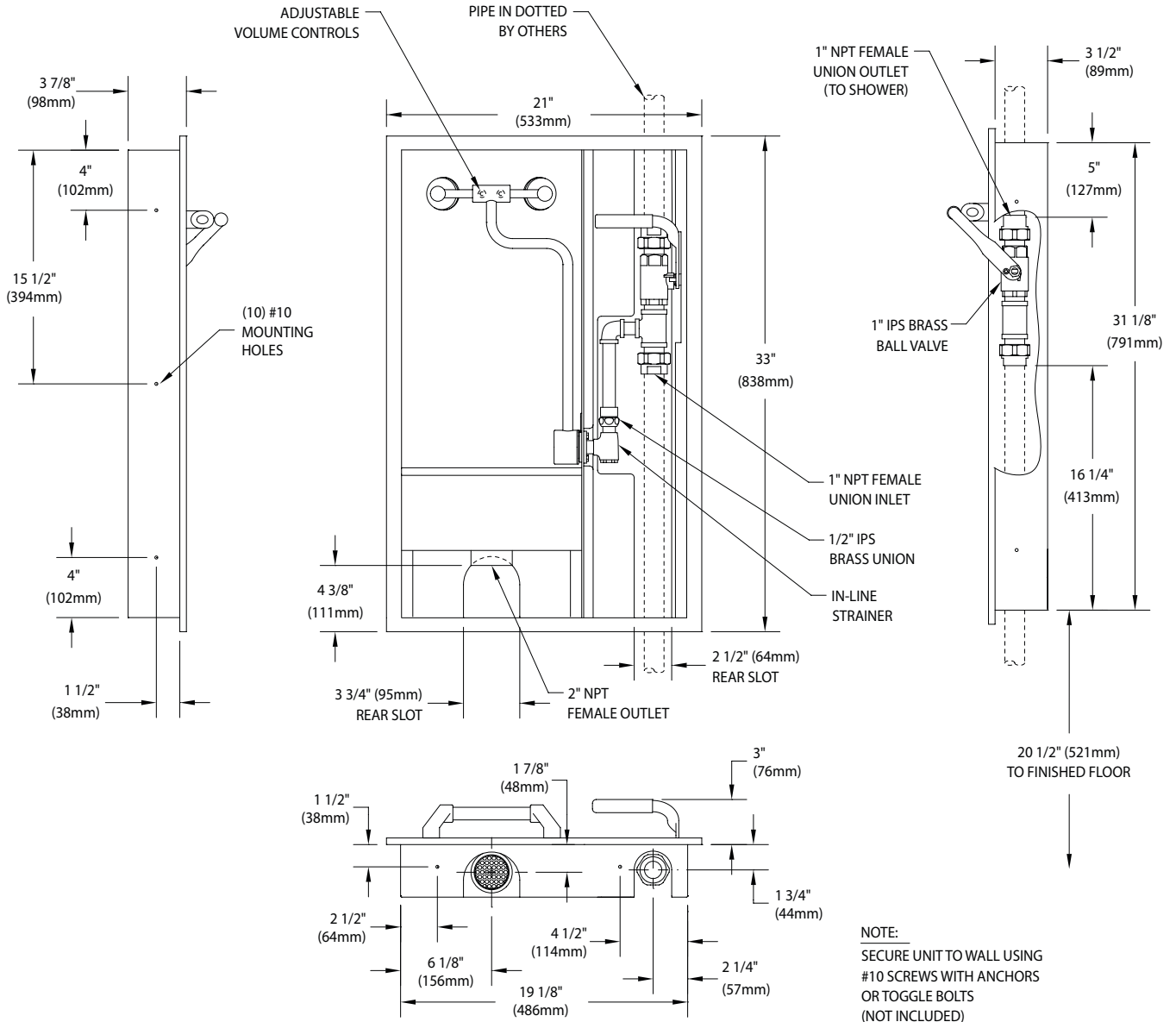
RK400-013
Repair Kit for In-Line
Strainer consisting of
Bonnet, O-Ring and
50 Mesh Cylindrical Screen

AP400-013
In-Line Strainer Assembly





Detail of GBF2150 Series Shower Valve and Eye/Face Wash Unit Internal Construction (With Covers and Drainpan Removed)





Detail of GBF2152 Series Shower Valve and Eye/Face Wash Unit Internal Construction (With Covers and Drainpan Removed)

