

Basic II Multifunction Shower Head

K837



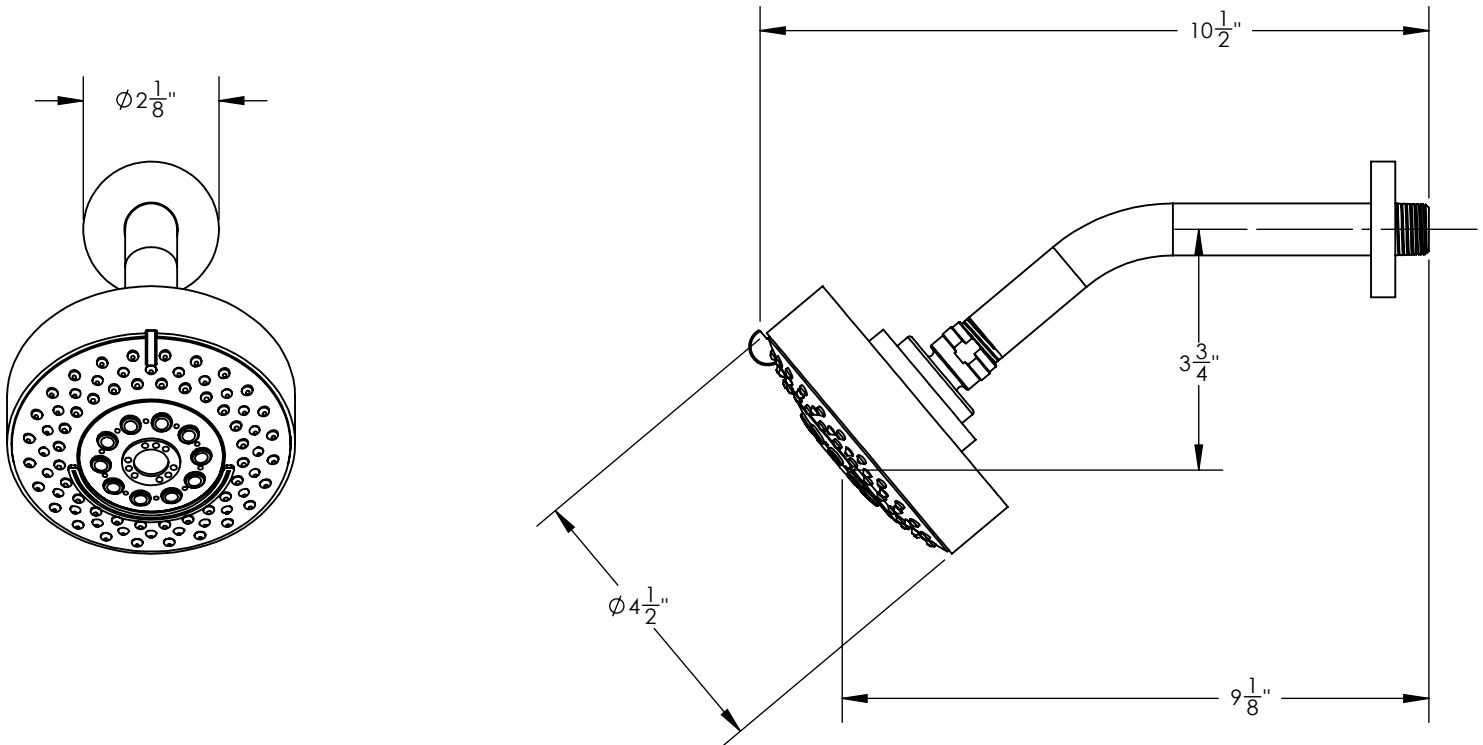
■ PRODUCT FEATURES

- With round escutcheon
- Three Functions: aerated, massage and rain
- Comes with 8" Arm and Escutcheon
- 1.8 gpm @ max
-
-

■ TECHNICAL DETAILS

Installation Type: Wall Mounted
Primary Material: Brass
Flow Restriction: 1.8 gpm
Water Pressure Maximum: 85 PSI
Water Pressure Minimum: 20 PSI
Water Pressure Recommended: 60 PSI

■ PRODUCT DIMENSIONS



www.phylrich.com

1261 Logan Avenue, Costa Mesa, California 92626.
Phone: 714.361.4800 Fax: 714.617.3120

CODES & STANDARDS

ASME A112.181/ CSA B1251, ASME 112.18.2/ CSA B125.2, ANSI NSF, CEC

WARRANTY

Mechanical Warranty: 10 Years from date of purchase.
Finish Warranty: See catalog for further information.

Rev-