

Installation and Care Guide

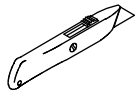
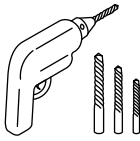
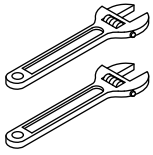
Water Filtration System

Français, page "Français-1"
Español, página "Español-1"

THE BOLD LOOK
OF **KOHLER**®

1285422-2-C

Tools and Materials



Permanent
Marker



3/8" Cold
Water Supply

Plus:

- Fasteners (filter head to cabinet)
- Common woodworking tools

Before You Begin



WARNING: Risk of personal injury. Do not use with water that is microbiologically unsafe or of unknown quality without adequate disinfection before or after the system.



CAUTION: Risk of property damage. Do not install the unit where the temperature may drop below freezing, may be exposed to direct sunlight, or may be exposed to heat.

NOTICE: Read this entire manual thoroughly to prevent personal injury and property damage during installation and use of this product.

NOTICE: Check with your local public works department for plumbing code requirements. Follow their guidelines as you install this water filtration system.

NOTICE: This product has a limited service life. Keep a record of the date of installation and any other performed maintenance. Because of the limited service life, and to prevent costly repairs or possible water damage, replace the system every 10 years.

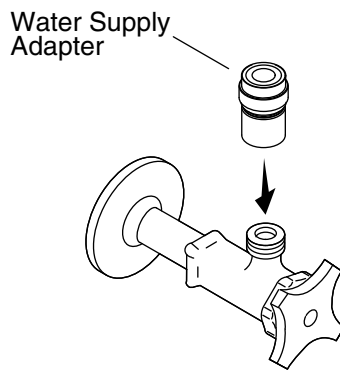
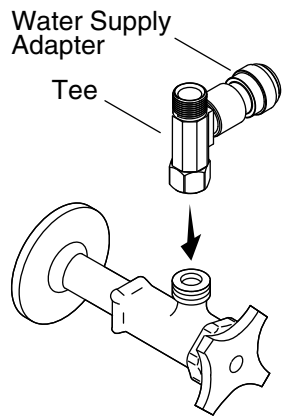
NOTICE: Turn off the water supply to the filter head, and remove the filter cartridge if it will be unattended for an extended period of time (approximately 4 weeks or more). Store the filter cartridge in a sealed bag in the refrigerator to maximize the remaining filter capacity.

NOTE: Make sure that the mounting location and fastening hardware will support the system when installed and full of water.

Before You Begin (cont.)

- Observe all state and local plumbing and building codes.
- Contaminants or other substances removed or reduced by this filtration system may not be present in your water. Refer to the Performance Data Sheet (included) for contaminants and reduction performance.
- Inspect the plumbing and supplies for damage. Repair or replace as needed.
- Install the water filtration system to a cold water supply only. Do not install the system to a hot water supply.
- The water filtration system is designed to be installed beneath a sink. Make sure that the bottom of the filter cartridge is at least 2" (51 mm) above the floor of the cabinet, and will be accessible for filter cartridge replacement after installation.
- Replace the filter cartridges every 6 months, when the capacity has been exceeded, or when a noticeable decrease in water flow is observed.
- Flush the filter system thoroughly after prolonged periods of nonuse. Allow the water to flow for 5 or 6 minutes before use.
- This system connects to a 3/8" (9/16"-24 UNEF-2A) compression connection. Special fittings may need to be purchased to accommodate other connections.
- Record your model number and installation date below. Also mark the installation date on the filter head and filter cartridges.
Model number: _____ Replacement date: _____
- Keep this manual for future reference.

To learn more about other KOHLER water filtration systems, replacement cartridges, subscription services, and recycling program visit kohler.com.

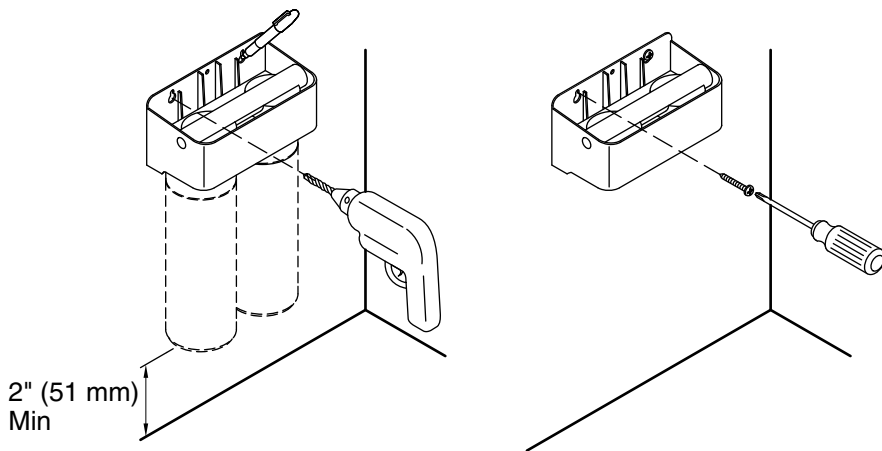


1. Prepare the Site

- **For existing installations:** Turn off the cold water supply, and turn on the faucet to relieve water pressure and drain water from the line.
- Disconnect the cold water supply line from the cold water supply valve.

NOTICE: Use care to avoid overtightening or cross-threading the connections to prevent water leakage.

- If both filtered and unfiltered water will be supplied, install the tee (provided) to the cold water supply valve.
- Connect the water supply adapter to the cold water supply valve or the tee.



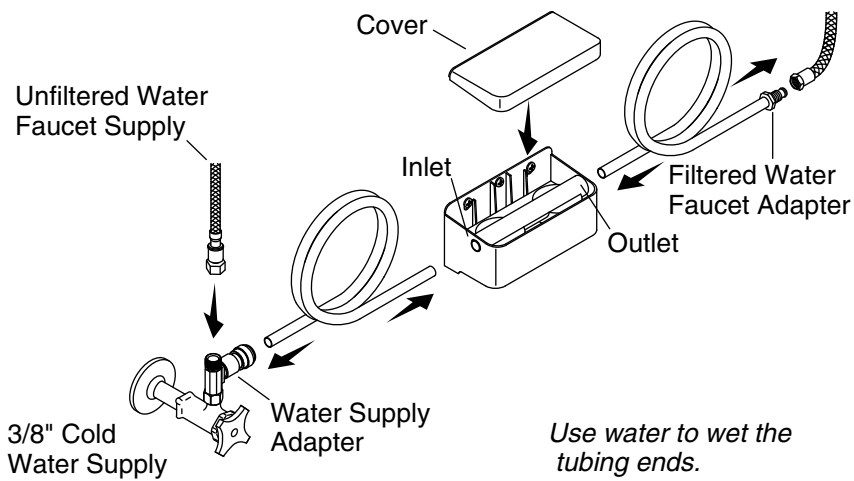
2. Mount the Filter Head

IMPORTANT! This unit is designed for vertical installation.

IMPORTANT! The mounting location of the water filtration system is critical. Verify that the bottom of the filter cartridge will be at least 2" (51 mm) from the floor of the cabinet. Ensure that the system will not interfere with other items and will be easily accessible. Make sure that the tubing will not be under tension when installed.

NOTICE: Select mounting fasteners (not provided) appropriate for the cabinet wall material.

- Align the mounting holes of the filter head at the determined mounting location.
- Mark the mounting-hole locations with a permanent marker. Set the filter head aside.
- Pre-drill the mounting holes, if necessary, based upon the fasteners selected.
- Partially thread the fasteners into the cabinet wall, and slide the filter head over the fasteners.
- Secure the filter head in position by tightening the fasteners.



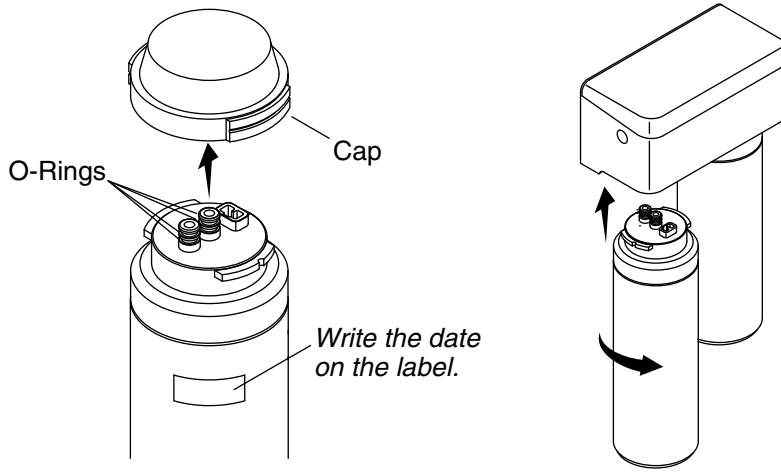
3. Connect the Tubing



CAUTION: Risk of property damage. Do not damage, kink, or crimp the tubing. Avoid cutting the tubing. If it is necessary to cut the tubing, use a sharp utility knife to make a clean and square cut to avoid water leakage.

IMPORTANT! Water from the supply line **must** be connected to the filter head inlet. Water from the filter head outlet **must** be connected to the faucet. System performance and filter capacity will be compromised if connected incorrectly.

- ❑ Wet the end of one of the tubing sections with water, and press it firmly into the inlet port of the filter head.
- ❑ Wet the other end of the tubing with water, and press it firmly into the water supply adapter.
- ❑ Repeat for the other tubing section, pressing one end into the outlet port of the filter head. Press the remaining end into the filtered water faucet adapter.
- ❑ Connect the filtered water faucet inlet to the filtered water faucet adapter.
- ❑ If used, connect the unfiltered water faucet inlet to the tee.
- ❑ Press the cover onto the filter head.
- ❑ If desired, secure the tubing to a cabinet wall using appropriate clamps and hardware (not provided).



4. Install the Filter Cartridge

IMPORTANT! For the K-77686: Two identical filter cartridges are used. For future filter cartridge replacement, replace both cartridges at the same time to maintain proper performance.

- Write the installation date on the new filter cartridge label.
- Remove and discard the cap from the filter cartridge.
- Inspect the filter cartridge for damage.
- Verify that both sets of O-rings are present and are positioned correctly in the grooves.

NOTE: The filter cartridge will only engage into the filter head one way. Do not force the components.

- Align the filter cartridge so the label is to the left, and press upward so the filter cartridge key engages into the filter head.
- Use your hand to rotate the filter cartridge counterclockwise 90° until it stops and is securely engaged into the filter head.

5. Installation Checkout

- Turn on the cold water supply and check all connections for leaks. Repair as needed.
- Run water through the faucet for at least 5 minutes to remove any air and carbon particles in the system.

Maintenance

Routine maintenance and filter cartridge replacement will not require that the tubing be disconnected. Follow this procedure if it becomes necessary to disconnect the tubing from the fittings.

- Turn off the cold water supply to the filtration system, and turn on the faucet to relieve water pressure.
- Firmly press in the collar around the fitting while using your hand to pull the tubing free.
- Inspect the tubing for damage or crimping.
- Refer to the "Connect the Tubing" section to reinstall the tubing.
- Refer to the replacement filter cartridge installation instructions to replace the filter cartridge.

Troubleshooting

This troubleshooting guide is for general aid only. For warranty service, contact your dealer or wholesale distributor.

For service parts and replacement filter cartridges, visit your product page at kohler.com.

Symptoms	Probable Causes	Recommended Action
1. Water leaks between the filter head and the filter cartridge.	A. An O-ring is damaged, dirty, or out of place.	A. Turn off the water supply, and relieve water pressure. Remove the filter cartridge and inspect the O-rings for damage or debris, and ensure that the O-rings are in place. Reinstall the filter cartridge, turn on the water supply, and check for water leakage.

Troubleshooting (cont.)

Symptoms	Probable Causes	Recommended Action
2. Water leaks at a tubing connection.	A. Tubing is not cut square, or is damaged or crimped.	A. Turn off the water supply, and relieve water pressure. Press in the collar around the fitting at the leak, and pull the tubing to remove. Use a sharp utility knife to cut 1/2" (13 mm) off the end of the tubing. Reinsert the tubing into the fitting. Turn on the water supply and check for leakage.
3. Water leaks at a threaded connection.	A. The connection is damaged or dirty.	A. Turn off the water supply, and relieve water pressure. Disconnect the fitting, and inspect the seal for damage or debris. Remove any debris or replace the damaged fitting. Securely reconnect the fitting, but do not overtighten. Turn on the water supply and check for leakage.

Kohler Aquifer® Filtration System
Replacement Cartridges: K-77687 (1 Pack) & K-77688 (2 Pack)

Model Series: K-77685 Single Manifold System
Flow Rate: 0.85 gpm (3.21 lpm)
Capacity: 389 gal (1,472 L)

Model Series: K-77686 Double Manifold System
Flow Rate: 1.70 gpm (6.43 lpm)
Capacity: 778 gal (2,945 L)



The K-77685 and K-77686 models are tested and certified by IAPMO R&T Lab and IAPMO R&T against CSA B483.1; NSF/ANSI Standard 42 for the aesthetic reduction of chloramines and Particulate Class I; NSF/ANSI Standard 53 for the reduction of asbestos, cysts, lead, mercury, MTBE, turbidity and VOC; NSF/ANSI Standard 401 for the reduction of Phenytoin, Bisphenol A, Estrone, Ibuprofen, Naproxen, and Nonyl phenol; and NSF Protocol P473.

See Performance Data Sheet for individual contaminants and reduction performance.

These systems conform to NSF/ANSI 42, 53, and 401, and NSF Protocol P473 for the specific performance claims as certified and substantiated by test data.

The compounds certified under NSF/ANSI 401 have been deemed as emerging contaminants.

Specifications

For conditions of use and replacement parts, refer to this guide and the Performance Data Sheet.

Do not use on water that is microbiologically unsafe or of unknown quality without adequate disinfection before or after this filter system. Systems certified for cyst reduction may be used on disinfected waters that may contain filterable cysts.

Operating Pressure: 40 psi (276 kPa) - 120 psi (827 kPa)

Operating Temperature: 33°F (0.5°C) - 100° (37.8°C)

Service parts and replacement cartridges are available from your local distributor, or directly from Kohler Co.:

Specifications (cont.)

Kohler Co., 444 Highland Drive, Kohler, Wisconsin, 53044

Warranty

KOHLER® Water Filter Systems FIVE-YEAR LIMITED WARRANTY

KOHLER water filter systems (excluding the disposable replacement cartridges) used in the United States and Canada are warranted to be free of defects in material and workmanship for five (5) years from the date of purchase in normal residential use. (The service life of any disposable replacement cartridge varies with local water conditions and water consumption and thus is not warranted other than to be free of defects in material and workmanship at the time of purchase.)

All products must be installed and operated in accordance with the manufacturer's recommended procedures and guidelines. Improper use or installation could void this warranty.

If a defect is found in normal residential usage in the United States or Canada, Kohler Co. will, at its election, repair or replace the unit, or make appropriate adjustment. Damage caused by accident, misuse, or abuse is not covered by this warranty. Kohler Co. is not responsible for labor charges, removal charges, installation, or other incidental or consequential costs. In no event shall the liability of Kohler Co. exceed the purchase price of the product. **These water filter systems have not been tested or certified to meet regulatory standards outside the United States and Canada. To the extent permitted by law, Kohler Co. hereby disclaims all warranties for water filter systems used outside of the United States or Canada whether express or implied, including but not limited to the implied warranties of merchantability and fitness for a particular purpose.**

To obtain warranty service contact Kohler Co. either through your Dealer, Plumbing Contractor, Home Center or E-tailer, or by writing Kohler Co., Attn: Customer Care Center, 444 Highland Drive, Kohler, WI 53044, USA, or by calling 1-800-4-KOHLER (1-800-456-4537) from within the USA and Canada, and 001-800-456-4537 from within Mexico, or visit www.kohler.com within the USA, www.ca.kohler.com from within Canada, or www.mx.kohler.com in Mexico.

KOHLER CO. AND/OR SELLER ARE PROVIDING THIS WARRANTY IN LIEU OF ALL OTHER WARRANTIES, EXPRESSED OR IMPLIED, INCLUDING BUT NOT LIMITED TO THE IMPLIED WARRANTIES OF MERCHANTABILITY AND FITNESS FOR A PARTICULAR PURPOSE. KOHLER CO. AND/OR SELLER DISCLAIM ANY LIABILITY FOR SPECIAL, INCIDENTAL OR CONSEQUENTIAL DAMAGES. Some states/provinces do not allow

Warranty (cont.)

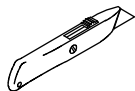
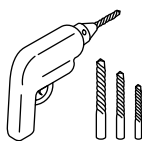
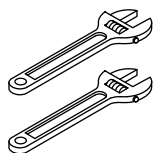
limitations on how long an implied warranty lasts or the exclusion or limitation of special, incidental, or consequential damages, so these limitations and exclusions may not apply to you. This warranty gives you specific legal rights. You may also have other rights which vary from state/province to state/province. This limited warranty provides specific legal rights as they apply within the USA. Other rights may be available, but may vary from country to country.

This is Kohler Co.'s exclusive written warranty.

Guide d'installation et d'entretien

Système de filtration d'eau

Outils et matériel



Marqueur permanent



Alimentation en eau froide 3/8"

Plus:

- Dispositifs de fixation (tête de filtre sur meuble)
- Outils de menuiserie habituels

Avant de commencer



AVERTISSEMENT: Risque de blessures. Ne pas utiliser avec de l'eau qui n'est pas sûre au point de vue microbiologique ou d'une qualité non connue sans désinfection adéquate avant ou après le système.



ATTENTION: Risque de dommages matériels. Ne pas installer ce dispositif dans des endroits où la température pourrait descendre au-dessous du niveau de congélation, où il pourrait être exposé à la lumière directe du soleil, ou encore à la chaleur.

AVIS: Lire ce manuel au complet afin de prévenir des lésions corporelles et des dommages matériels au cours de l'installation et de l'utilisation de ce produit.

AVIS: Vérifier les exigences de codes de plomberie auprès du département de travaux publics local. Suivre leurs directives lors de l'installation de ce système de filtration d'eau.

AVIS: Ce produit a une durée de vie utile limitée. Conserver un dossier indiquant la date d'installation et tout autre entretien

Avant de commencer (cont.)

exécuté. En raison de la durée de vie utile limitée, et pour empêcher des réparations coûteuses ou des dégâts d'eau éventuels, remplacer le système tous les 10 ans.

AVIS: Couper l'alimentation en eau à la tête du filtre et retirer la cartouche du filtre si on ne s'en occupe pas sur une période prolongée (4 semaines environ ou plus) Entreposer la cartouche du filtre dans un sac scellé dans le réfrigérateur afin de porter au maximum la durée de vie restante du filtre.

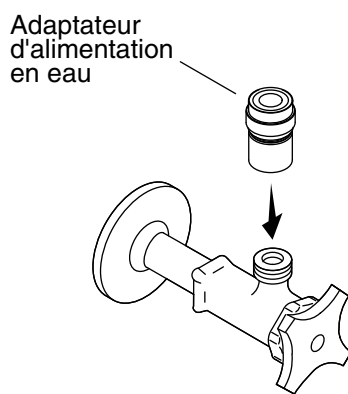
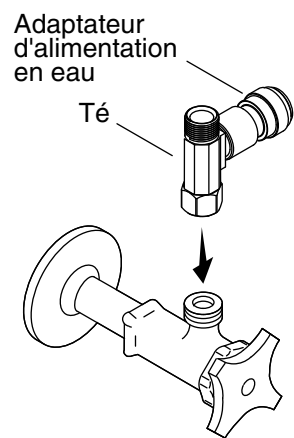
REMARQUE: S'assurer que l'emplacement de montage et la visserie de fixation pourront supporter le système lorsque celui-ci est installé et rempli d'eau.

- Respecter tous les codes de plomberie et de bâtiment de l'État et locaux.
- Les contaminants ou d'autres substances retirées ou réduites par ce système de filtration pourraient ne pas être présents dans votre eau. Consulter la fiche technique sur la performance (incluse) en ce qui concerne les contaminants et la performance de réduction.
- Inspecter la plomberie et les accessoires pour y rechercher des dommages éventuels. Réparer ou remplacer selon les besoins.
- Installer le système de filtration d'eau sur une alimentation en eau froide seulement. Ne pas installer ce système sur une alimentation en eau chaude.
- Le système de filtration d'eau est destiné à être installé au-dessous d'un évier. S'assurer que le fond de la cartouche du filtre se trouve à 2 po (51 mm) au moins au-dessus du plancher du meuble et qu'il sera accessible pour le remplacement de la cartouche du filtre après installation.
- Remplacer les cartouches de filtre tous les 6 mois, lorsque la capacité a été dépassée, ou lorsque l'on observe une réduction perceptible dans le débit d'eau.
- Purger le système du filtre au complet après des périodes prolongées de non utilisation. Laisser l'eau s'écouler pendant 5 ou 6 minutes avant utilisation.
- Ce système se connecte à un connecteur de compression de 3/8 po (9/16 po-24 UNEF-2A). Il sera peut-être nécessaire d'acheter des raccords spéciaux pour s'adapter à d'autres connexions.

Avant de commencer (cont.)

- Noter le numéro de modèle et la date d'installation ci-dessous.
Marquer également la date d'installation sur la tête du filtre et les cartouches du filtre. Numéro du modèle : _____ Date de remplacement : _____
- Conserver ce manuel pour référence future.

Pour en apprendre davantage sur les système de filtration d'eau, les cartouches de rechange, les services d'abonnement, et le programme de recyclage, visiter le site kohler.com.

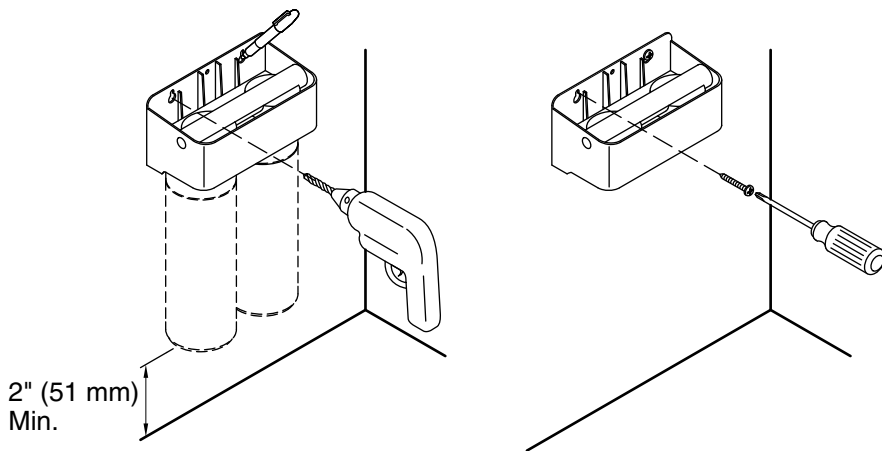


1. Préparer le site

- ❑ **Pour les installations existantes :** Couper l'alimentation en eau froide et tourner le robinet pour soulager la pression d'eau et vider l'eau de la canalisation.
- ❑ Déconnecter la canalisation d'alimentation en eau froide de la vanne d'alimentation en d'eau froide.

AVIS: Procéder avec soin pour éviter un serrage excessif ou un filetage croisé des connexions afin de prévenir des fuites d'eau.

- ❑ Si de l'eau filtrée et de l'eau non filtrée sont fournies, installer le té (fourni) sur la vanne d'alimentation en eau froide.
- ❑ Connecter l'adaptateur d'alimentation en eau à la vanne ou au té d'alimentation en eau froide.



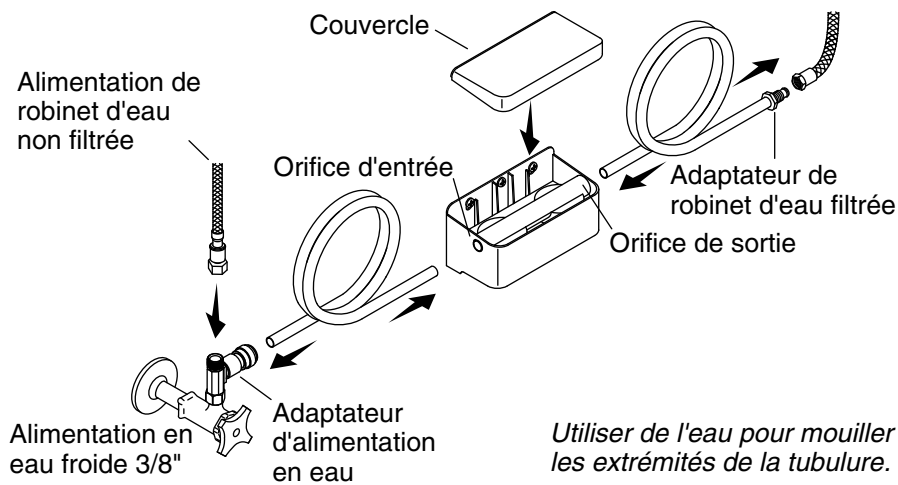
2. Monter la tête du filtre

IMPORTANT! Cette unité est conçue pour une installation verticale.

IMPORTANT! L'emplacement de montage du système de filtration d'eau est de première importance. Vérifier que le fond de la cartouche du filtre se trouve à 2 po (51 mm) au moins du plancher du meuble. S'assurer que le système n'interfère pas avec les autres éléments et que l'on peut y accéder sans difficulté. S'assurer que la tubulure ne sera pas sous tension après son installation.

AVIS: Choisir les dispositifs de fixation (non fournis) appropriés pour le matériau des parois du meuble.

- Aligner les trous de fixation de la tête du filtre à l'emplacement de fixation déterminé.
- Marquer les emplacements des orifices de fixation avec un marqueur permanent. Mettre la tête du filtre de côté.
- Prépercer les trous de fixation, si nécessaire, en fonction des dispositifs de fixation choisis.
- Enfiler partiellement les dispositifs de fixation dans la paroi du meuble et faire glisser la tête du filtre par-dessus les dispositifs d'attache.
- Sécuriser la tête du filtre en position en serrant les dispositifs de fixation.



3. Connecter la tubulure



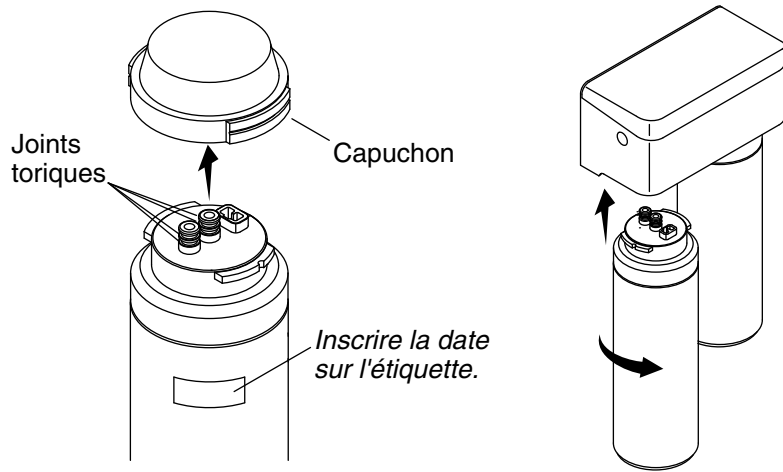
ATTENTION: Risque de dommages matériels. Ne pas endommager, vriller ou pincer la tubulure. Éviter de couper la tubulure. S'il est nécessaire de couper la tubulure, utiliser un couteau tout usage tranchant pour effectuer une coupe nette et carrée afin d'éviter des fuites d'eau.

IMPORTANT! L'eau en provenance de la conduite d'alimentation **doit** être connectée à l'orifice d'entrée de la tête du filtre. L'eau en provenance de l'orifice de sortie de la tête du filtre **doit** être connectée au robinet. La performance du système et la capacité du filtre seront compromises si les connexions ne sont pas effectuées correctement.

- Mouiller l'extrémité de l'une des sections de tubulure avec de l'eau et l'enfoncer fermement dans le port de l'orifice d'entrée de la tête du filtre.
- Mouiller l'autre extrémité de la tubulure avec de l'eau, et l'enfoncer fermement dans l'adaptateur d'alimentation en eau.
- Répéter pour l'autre section de tubulure, en enfonçant une extrémité dans le port de l'orifice de sortie de la tête du filtre. Enfoncer l'extrémité restante dans l'adaptateur du robinet d'eau filtrée.
- Connecter l'orifice d'entrée du robinet d'eau filtrée à l'adaptateur du robinet d'eau filtrée.
- S'il est utilisé, connecter l'orifice d'entrée du robinet d'eau non filtrée au té.

Connecter la tubulure (cont.)

- Enfoncer le couvercle sur la tête du filtre.
- Si souhaité, sécuriser la tubulure sur une paroi du meuble en utilisant les brides et la visserie appropriées (non fournies).



4. Installer la cartouche du filtre

IMPORTANT! Pour le modèle K-77686 : Deux cartouches de filtres identiques sont utilisées. Pour le remplacement futur des cartouches de filtres, remplacer les deux cartouches en même temps afin de maintenir une performance adéquate.

- Inscrire la date d'installation sur l'étiquette de la nouvelle cartouche de filtre.
- Retirer et jeter le capuchon de la cartouche du filtre.
- Inspecter la cartouche du filtre pour y déceler des dommages.
- Vérifier que les deux ensembles de joints toriques sont présents et qu'ils sont positionnés correctement dans les rainures.

REMARQUE: La cartouche du filtre s'engage seulement dans la tête du filtre dans un sens. Ne pas forcer les composants.

- Aligner la cartouche du filtre de manière à ce que l'étiquette se trouve sur la gauche et appuyer vers le haut de manière à ce que la clé de la cartouche du filtre s'engage dans la tête du filtre.
- Utiliser la main pour tourner la cartouche du filtre de 90° dans le sens antihoraire, jusqu'à ce qu'elle s'arrête et soit engagée en toute sécurité dans la tête du filtre.

5. Vérification de l'installation

- Ouvrir l'alimentation en eau froide et vérifier toutes les connexions pour y rechercher des fuites éventuelles. Effectuer les réparations nécessaires.

Vérification de l'installation (cont.)

- Faire couler l'eau par le robinet pendant 5 minutes au moins pour éliminer tout l'air et toutes les particules de charbon dans le système.

Entretien

Un entretien régulier et le remplacement de la cartouche du filtre n'exigent pas que la tubulure soit déconnectée. Suivre cette procédure lorsqu'il devient nécessaire de déconnecter la tubulure des raccords.

- Couper l'alimentation en eau froide au système de filtration et tourner le robinet pour soulager la pression d'eau.
- Appuyer fermement dans le collier autour du raccord tout en utilisant la main pour libérer la tubulure.
- Inspecter la tubulure pour y rechercher des dommages ou des pincements éventuels.
- Se reporter à la section « Connecter la tubulure » pour réinstaller la tubulure.
- Se reporter aux instructions d'installation de la cartouche du filtre de rechange pour remplacer la cartouche du filtre.

Dépannage

Ce guide de dépannage est seulement destiné à fournir une aide d'ordre général. Pour une réparation sous garantie, s'adresser au concessionnaire ou au distributeur en gros.

Pour tout renseignement sur les pièces de rechange et les cartouches de filtres de rechange, visiter la page du produit sur le site kohler.com.

Dépannage (cont.)		
Symptômes	Causes probables	Action recommandée
1. Fuites d'eau entre la tête du filtre et la cartouche du filtre.	A. Un joint torique est endommagé, encrassé ou délogé.	A. Couper l'alimentation en eau et soulager la pression d'eau. Retirer la cartouche du filtre et inspecter les joints toriques pour y rechercher des dommages ou des débris éventuels et assurer que les joints toriques sont en place. Réinstaller la cartouche du filtre, ouvrir l'alimentation en eau et vérifier qu'il n'y a pas de fuites d'eau.
2. Fuites d'eau au niveau de la connexion de la tubulure.	A. La tubulure n'est pas découpée de manière carrée ou elle est endommagée ou pincée.	A. Couper l'alimentation en eau et soulager la pression d'eau. Enfoncer le collier autour du raccord au niveau de la fuite et tirer sur la tubulure pour la retirer. Utiliser un couteau tout usage tranchant pour couper 1/2 po (13 mm) de l'extrémité de la tubulure. Réinsérer la tubulure dans le raccord. Ouvrir l'alimentation en eau et rechercher des fuites éventuelles.

Dépannage (cont.)

Symptômes	Causes probables	Action recommandée
3. Fuites d'eau au niveau de la connexion fileté.	A. La connexion est endommagée ou encrassée.	A. Couper l'alimentation en eau et soulager la pression d'eau. Déconnecter le raccord et inspecter le joint d'étanchéité pour y rechercher des dommages ou des débris. Retirer tous les débris ou remplacer le raccord endommagé. Reconnecter le raccord en toute sécurité, mais ne pas serrer excessivement. Ouvrir l'alimentation en eau et rechercher des fuites éventuelles.

Système de filtration Kohler Aquifer®
Cartouches de remplacement: K-77687 (1 par paquet) et K-77688
(2 par paquet)

Série de modèles: K-77685 Système à collecteur unique
Débit: 0,85 gpm (3,21 lpm)
Capacité: 389 gal (1472 L)

Série de modèles: K-77686 Système de collecteur double
Débit: 1,70 gpm (6,43 lpm)
Capacité: 778 gal (2 945 L)



Les modèles K-77685 et K-77686 sont testés et certifiés par IAPMO R&T Lab et IAPMO R&T par rapport à la norme CSA B483.1; la norme NSF/ANSI 42 pour la réduction esthétique de chloramines et de particules de Classe I; la norme NSF/ANSI 53 pour la réduction de l'amiante, des spores, de plomb, de mercure, de MTBE, de turbidité et de COV; la norme NSF/ANSI 401 pour la réduction de phénytoïne, de bisphénol A, d'estrone, d'ibuprofène, de naproxène, et de nonylphénol; et le protocole NSF P473.

Consulter la fiche technique sur la performance en ce qui concerne les contaminants individuels et la performance de réduction.

Ces systèmes sont conformes aux normes NSF/ANSI 42, 53 et 401 et au protocole NSF P473 pour les allégations de performance spécifiques tel que certifié et corroboré par les données de test.

Les composés certifiés sous la norme NSF/ANSI 401 ont été présumés être des contaminants émergents.

Spécifications

Pour les conditions d'utilisation et les pièces de rechange, consulter ce guide ainsi que la fiche technique sur la performance.

Ne pas utiliser sur de l'eau qui n'est pas sûre au point de vue microbiologique ou d'une qualité non connue sans désinfection adéquate avant ou après ce système de filtre. Les systèmes certifiés pour une réduction de kystes peuvent être utilisés sur des eaux désinfectées qui pourraient contenir des kystes filtrables.

Pression de fonctionnement : 40 psi (276 kPa) - 120 psi (827 kPa)

Température de fonctionnement : 33°F (0,5°C) - 100° (37,8°C)

Les pièces de rechange et les cartouches de rechange peuvent être

Spécifications (cont.)

obtenues auprès du distributeur local ou directement auprès de Kohler Co. :

Kohler Co., 444 Highland Drive, Kohler, Wisconsin, 53044

Garantie

GARANTIE LIMITÉE DE CINQ ANS pour les systèmes de filtration d'eau KOHLER®

Les systèmes de filtration d'eau de KOHLER (à l'exception des cartouches jetables de rechange) utilisés aux États-Unis et au Canada sont garantis contre tout vice de matériau et de fabrication pendant cinq (5) ans à compter de la date d'achat lors d'une utilisation domestique normale. (La durée de vie des cartouches jetables de rechange varie en fonction des conditions locales de l'eau et de la consommation d'eau, et, par conséquent, elles ne sont garanties contre tout vice de matériau ou de fabrication qu'au moment de l'achat.)

Tous les produits doivent être installés et utilisés conformément aux procédures et directives recommandées par le fabricant. Une mauvaise utilisation ou installation pourrait annuler la présente garantie.

Si un vice est décelé lors d'une utilisation domestique normale aux États-Unis ou au Canada, Kohler Co. choisira, à sa discrétion, la réparation, le remplacement ou la correction appropriée. Aucun dommage causé par un accident, une mauvaise utilisation ou un mauvais traitement n'est couvert par la présente garantie. Kohler Co. n'est pas responsable des frais de main-d'œuvre, d'enlèvement, d'installation ou de tout autre frais particulier, accessoire ou indirect. La responsabilité de Kohler Co. ne dépassera en aucun cas le prix d'achat du produit. **Ces systèmes de filtre d'eau n'ont pas été testés ou certifiés pour être conformes aux standards hors des États-Unis et du Canada. Dans la limite permise par la Loi, Kohler Co. rejette toute garantie sur les systèmes de filtration d'eau utilisés hors des États-Unis et du Canada, qu'il s'agisse de garanties expresses ou implicites, y compris, mais sans s'y limiter les garanties implicites de qualité marchande et d'adaptation à un usage particulier.**

Pour obtenir le service de garantie contacter Kohler Co., par l'intermédiaire du vendeur, plombier, centre de rénovation ou revendeur par Internet, ou bien par écrit à l'adresse suivante Kohler Co., Attn.: Customer Care Center, 444 Highland Drive, Kohler, WI 53044, USA, ou appeler le 1-800-4-KOHLER (1-800-456-4537) à partir des É.-U. et du Canada, et le 001-800-456-4537 à partir du Mexique, ou consulter le site www.kohler.com aux É.-U., www.ca.kohler.com à partir du Canada, ou www.mx.kohler.com au Mexique.

Garantie (cont.)

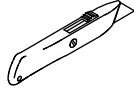
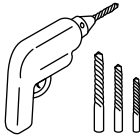
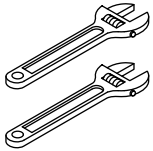
KOHLER CO. ET/OU LE REVENDEUR FOURNISSENT CETTE GARANTIE AU LIEU ET PLACE DE TOUTES AUTRES GARANTIES, EXPRESSES OU TACITES, Y COMPRIS, SANS S'Y LIMITER, LES GARANTIES TACITES DE COMMERCIALITÉ ET D'ADAPTATION À UN USAGE PARTICULIER. KOHLER CO. ET/OU LE REVENDEUR DÉCLINENT TOUTE RESPONSABILITÉ CONTRE LES DOMMAGES PARTICULIERS, ACCESSOIRES OU INDIRECTS. Certains états et provinces ne permettent pas de limite sur la durée de la garantie tacite, ni l'exclusion ou la limite des dommages particuliers, accessoires ou indirects, et, par conséquent, lesdites limites et exclusions peuvent ne pas s'appliquer à votre cas. Cette garantie vous donne des droits juridiques particuliers. Vous pouvez également avoir d'autres droits qui varient d'un état ou d'une province à l'autre. Cette garantie donne des droits juridiques particuliers applicables aux É.-U. D'autres droits pourraient être disponibles mais différer de pays en pays.

Ceci constitue la garantie écrite exclusive de Kohler Co.

Guía de instalación y cuidado

Sistema de filtración de agua

Herramientas y materiales



Marcador permanente



Suministro de agua fría de 3/8"

Más:

- Sujetadores (cabeza del filtro al gabinete)
- Herramientas comunes de trabajo en madera

Antes de comenzar



ADVERTENCIA: Riesgo de lesiones personales. No use con agua microbiológicamente insegura o de calidad desconocida, sin haberla desinfectado adecuadamente antes o después del sistema.



PRECAUCIÓN: Riesgo de daños a la propiedad. No instale la unidad donde la temperatura pudiera bajar de la temperatura de congelación, donde quede expuesta a la luz directa del sol, o donde pudiera estar expuesta al calor.

AVISO: Lea todo este manual para evitar sufrir lesiones personales y daños a la propiedad durante la instalación y el uso de este producto.

AVISO: Confirme con el departamento de servicios públicos de su localidad los requisitos de cumplimiento del código de plomería. Siga las pautas a medida que instale este sistema de filtración de agua.

AVISO: Este producto tiene una vida de servicio limitada. Guarde un registro de la fecha de instalación y de todo el mantenimiento

Antes de comenzar (cont.)

que se le dé. Debido a la vida de servicio limitada, y para evitar costosas reparaciones o posibles daños causados por el agua, cambie el sistema cada 10 años.

AVISO: Cierre el suministro de agua a la cabeza del filtro y retire el cartucho de filtro si va a dejar desatendido el filtro durante un periodo prolongado de tiempo (aproximadamente 4 semanas o más). Guarde el cartucho de filtro en una bolsa sellada en el refrigerador para maximizar la vida de servicio del filtro.

NOTA: Asegúrese de que el lugar de instalación y de que los herrajes de sujeción soporten el sistema cuando esté instalado y lleno de agua.

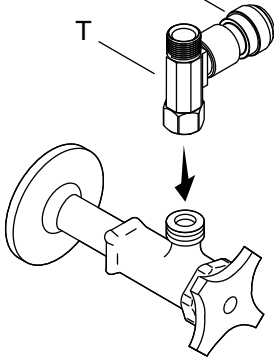
- Cumpla todos los códigos locales y estatales de plomería y de construcción.
- Es posible que su agua no contenga los contaminantes u otras sustancias que este sistema de filtración elimina o reduce. Consulte contaminantes y reducción de rendimiento en la hoja de datos de rendimiento (que incluimos).
- Revise que la plomería y que las líneas de suministro no presenten daños. Repare o cambie según sea necesario.
- Instale el sistema de filtración de agua solo al suministro de agua fría. No instale el sistema en alguna línea de suministro de agua caliente.
- El sistema de filtración de agua está diseñado para ser instalado bajo un fregadero. Asegúrese de que el fondo del cartucho de filtro quede al menos 2" (51 mm) sobre la base del gabinete y accesible para cambiar el cartucho de filtro después de haberlo instalado.
- Cambie los cartuchos de filtro cada 6 meses, cuando se haya excedido la capacidad, o cuando se observe una disminución notable en el flujo.
- Deje correr agua para enjuagar bien el sistema de filtro después de periodos prolongados de no usarlo. Antes de usarlo, deje que fluya agua durante 5 o 6 minutos.
- Este sistema se conecta a una conexión por compresión de 3/8" (9/16"-24 UNEF-2A). Es posible que sea necesario comprar conectores especiales para adaptar a otras conexiones.

Antes de comenzar (cont.)

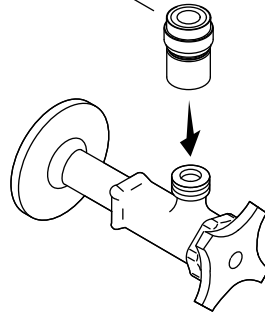
- Registre abajo su número de modelo y la fecha de instalación.
También marque la fecha de instalación en la cabeza del filtro y en los cartuchos de filtro. Número de modelo: _____
Fecha de cambio: _____
- Guarde este manual para referencia futura.

Para obtener más información acerca de otros sistemas de filtración de agua de KOHLER, de cartuchos de repuesto, de servicios de suscripción, y de programas de reciclado, visite kohler.com.

Adaptador del suministro de agua



Adaptador del suministro de agua

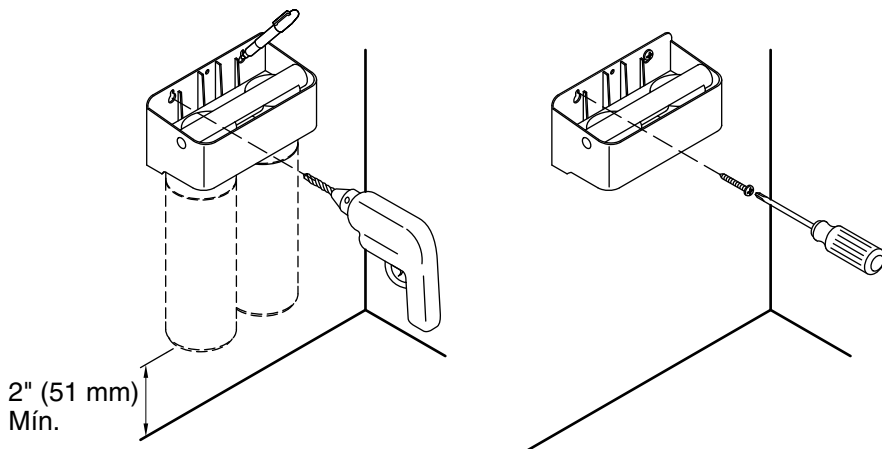


1. Prepare el sitio

- ❑ **En instalaciones existentes:** Cierre el suministro de agua fría y abra la grifería para liberar la presión de agua y drenar el agua de la línea.
- ❑ Desconecte la línea de suministro de agua fría de la válvula de suministro de agua fría.

AVISO: Tenga cuidado de no apretar demasiado fuerte o dañar las roscas de las conexiones para evitar que se fugue agua.

- ❑ Si se va a suministrar tanto agua filtrada como sin filtrar, instale la T (que se incluye) a la válvula del suministro de agua fría.
- ❑ Conecte el adaptador del suministro de agua a la válvula del suministro de agua fría o a la T.



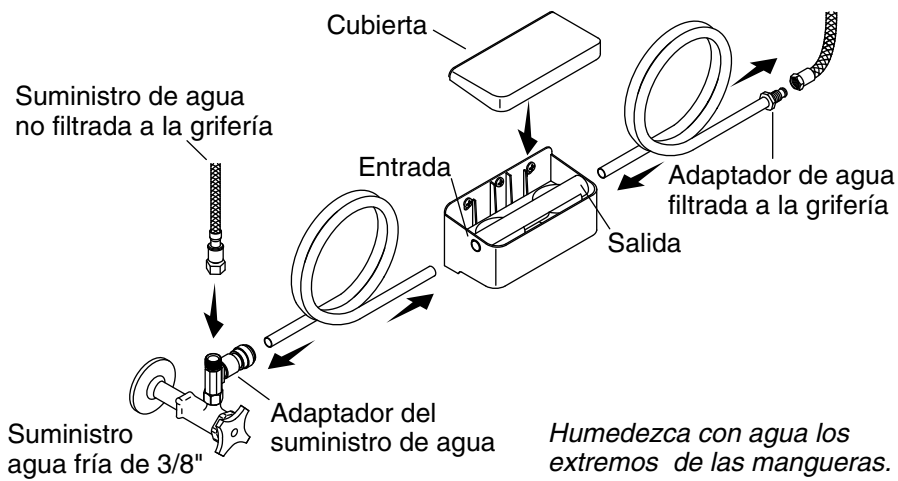
2. Instale la cabeza del filtro

¡IMPORTANTE! Esta unidad está diseñada para ser instalada verticalmente.

¡IMPORTANTE! El lugar de instalación del sistema de filtración de agua es crítico. Verifique que el fondo del cartucho de filtro quede al menos a 2" (51 mm) de la base del gabinete. Asegúrese de que el sistema no interfiera con otras cosas y que quede accesible. Asegúrese de que las mangueras no queden tensas al instalarlas.

AVISO: Seleccione sujetadores de montaje (no se incluyen) apropiados para el material de la pared del gabinete.

- Coloque los orificios de montaje de la cabeza del filtro alineados en el lugar de instalación que haya elegido.
- Marque con un marcador permanente los lugares para los orificios de montaje. Ponga la cabeza del filtro a un lado.
- De ser necesario, taladre orificios de montaje adecuados a los sujetadores seleccionados.
- Enrosque parcialmente los sujetadores en la pared del gabinete, y deslice la cabeza del filtro sobre los sujetadores.
- Apriete los sujetadores para fijar la cabeza del filtro en su lugar.



3. Conecte las mangueras



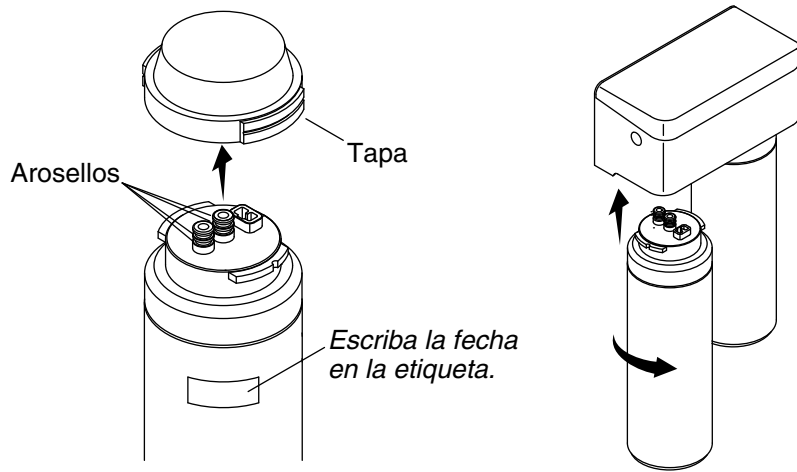
PRECAUCIÓN: Riesgo de daños a la propiedad. No dañe, pellizque o comprima las mangueras. Evite cortar las mangueras. Si es necesario cortar las mangueras, haga un corte limpio y recto con una navaja para evitar fugas de agua.

¡IMPORTANTE! El agua de la línea de suministro **debe** conectarse a la entrada de la cabeza del filtro. El agua de la salida de la cabeza del filtro **debe** conectarse a la grifería. El rendimiento y la capacidad del sistema se verán afectados si la conexión se hace incorrectamente.

- Humedezca con agua el extremo de una de las secciones de manguera, y oprímalo con firmeza en el puerto de entrada de la cabeza del filtro.
- Humedezca con agua el otro extremo de la manguera, y oprímala con firmeza en el adaptador del suministro de agua.
- Repita con la otra sección de manguera, oprima un extremo en el puerto de salida de la cabeza del filtro. Oprima el otro extremo en el adaptador de la grifería de agua filtrada.
- Conecte la entrada de la grifería de agua filtrada al adaptador de la grifería de agua filtrada.
- Si se usa, conecte la entrada de la grifería de agua sin filtrar en la T.
- Oprima la cubierta sobre la cabeza del filtro.

Conecte las mangueras (cont.)

- Si lo desea, fije la manguera a una pared del gabinete con sujetadores y herrajes apropiados (no se incluyen).



4. Instale el cartucho de filtro

¡IMPORTANTE! En el modelo K-77686: Se usan dos cartuchos de filtro idénticos. En cambios futuros de cartuchos de filtro, cambie ambos cartuchos al mismo tiempo para mantener el rendimiento apropiado.

- Anote la fecha de instalación en la etiqueta del nuevo cartucho de filtro.
- Retire y deseche la tapa del cartucho de filtro.
- Revise si el cartucho de filtro está dañado.
- Verifique que ambos conjuntos de arosellos estén bien colocados en las ranuras.

NOTA: El cartucho de filtro solo encaja en la cabeza del filtro de una forma. No fuerce los componentes.

- Alinee el cartucho de filtro de forma que la etiqueta quede a la izquierda, y oprima hacia arriba de manera que la claveta del cartucho de filtro encaje en la cabeza del filtro.
- Gire con la mano el cartucho de filtro hacia la izquierda 90° hasta que se detenga y quede bien fijo en la cabeza del filtro.

5. Verificación de la instalación

- Abra el suministro de agua fría y verifique que no haya fugas en ninguna conexión. Haga las reparaciones necesarias.

Verificación de la instalación (cont.)

- Deje correr agua por la grifería durante por lo menos 5 minutos para eliminar el aire y las partículas de carbón del sistema.

Mantenimiento

No es necesario desconectar las mangueras para dar mantenimiento de rutina y para cambiar cartuchos de filtro. Siga este procedimiento si llega a ser necesario desconectar las mangueras de los conectores.

- Cierre el suministro de agua fría al sistema de filtración, y abra la grifería para liberar la presión de agua.
- Oprima con firmeza en el collarín alrededor del conector mientras jala con la mano para soltar la manguera.
- Revise las tuberías para asegurarse de que no estén torcidas ni aplastadas.
- Consulte la sección "Conecte las mangueras" para volver a instalarlas.
- Consulte las instrucciones de instalación de los cartuchos de filtro de repuesto para cambiar los cartuchos de filtro.

Resolución de problemas

Esta guía de resolución de problemas está diseñada únicamente como ayuda general. Para obtener servicio de garantía, comuníquese con el vendedor o con el distribuidor mayorista.

Para consultar información sobre piezas de repuesto y cartuchos de filtro de repuesto, visite la página de su producto en kohler.com.

Resolución de problemas (cont.)

Síntomas	Causas probables	Acción recomendada
1. Se fuga agua entre la cabeza del filtro y el cartucho de filtro.	A. Hay algún arosello dañado, sucio, o fuera de su lugar.	A. Cierre el suministro de agua y libere la presión de agua. Retire el cartucho de filtro y revise los arosellos para ver si están dañados o si tienen desperdicios, y asegúrese de que los arosellos estén en su lugar. Vuelva a instalar el cartucho de filtro, abra el suministro de agua, y revise que no haya fugas de agua.
2. Se fuga agua en una conexión de manguera.	A. La manguera no está bien cortada, o está dañada o aplastada.	A. Cierre el suministro de agua y libere la presión de agua. Oprima el collarín alrededor del conector que tiene la fuga, y jale la manguera para retirarla. Con una navaja con buen filo corte 1/2" (13 mm) del extremo de la manguera. Vuelva a introducir la manguera en el conector. Abra el suministro de agua y verifique que no haya fugas.

Resolución de problemas (cont.)

Síntomas	Causas probables	Acción recomendada
3. Se fuga agua en una conexión roscada.	A. La conexión está sucia o dañada.	A. Cierre el suministro de agua y libere la presión de agua. Desconecte el conector, y revise que el sello no esté dañado ni tenga desperdicios. Retire los desperdicios o cambie el conector dañado. Vuelva a conectar con firmeza el conector, pero no apriete demasiado. Abra el suministro de agua y verifique que no haya fugas.

Sistema de filtración Aquifer® de Kohler
Cartuchos de repuesto: K-77687 (1 paquete) y K-77688 (2 paquetes)

Serie de modelo: Sistema de múltiple sencillo K-77685
Tasa de flujo: 0,85 g/min (3,21 L/min)
Capacidad: 389 gal (1472 L)

Serie de modelo: Sistema de múltiple doble K-77686
Tasa de flujo: 1,70 g/min (6,43 L/min)
Capacidad: 778 gal (2945 L)



El laboratorio IAPMO R&T y IAPMO R&T prueban y certifican los modelos K-77685 y K-77686 de acuerdo a CSA B483.1; Norma 42 de NSF/ANSI por reducción estética de cloraminas y partículas Clase I; Norma 53 de NSF/ANSI por reducción de asbesto, quistes, plomo, mercurio, éter metil tertbutílico (MTBE), turbiedad y compuestos orgánicos volátiles (VOC); Norma 401 de NSF/ANSI por reducción de Fenitoína, Bisfenol A, Estrona, Ibuprofeno, Naproxeno y Nonilfenol, y el Protocolo P473 de NSF.

Consulte contaminantes en particular y la reducción de rendimiento en la hoja de datos de rendimiento.

Estos sistemas satisfacen las normas NSF/ANSI 42, 53 y 401 y el protocolo P473 de NSF en lo que se refiere a declaraciones específicas de desempeño como lo certifican y corroboran los datos de las pruebas.

Los compuestos certificados de acuerdo a NSF/ANSI 401 se consideran contaminantes emergentes.

Especificaciones

En esta guía y en la hoja de datos de rendimiento consulte las condiciones de uso y las piezas de repuesto.

No use con agua microbiológicamente insegura o de calidad desconocida, sin haberla desinfectado adecuadamente antes o después del sistema de filtrado. Se pueden usar sistemas certificados para reducción de quistes en agua desinfectada que pudiera contener quistes filtrables.

Presión de funcionamiento: 40 psi (276 kPa) - 120 psi (827 kPa)

Temperatura de funcionamiento: 33°F (0,5°C) - 100°F (37,8°C)

Las piezas de servicio y los cartuchos de repuesto están disponibles

Especificaciones (cont.)

con su distribuidor local o directamente de Kohler Co.:

Kohler Co., 444 Highland Drive, Kohler, Wisconsin, 53044

Garantía

KOHLER® Sistemas de filtro de agua GARANTÍA LIMITADA DE CINCO AÑOS

Se garantiza que los sistemas de filtración de agua KOHLER (excepto los cartuchos de repuesto desechables) que se utilizan en Estados Unidos y Canadá están libres de defectos de material y mano de obra durante cinco (5) años a partir de la fecha de compra en uso residencial normal. (La vida de servicio de los cartuchos de repuesto desechables varía con las condiciones del agua local y el consumo de agua y, por lo tanto, solo se garantiza que están libres de defectos de material y mano de obra al momento de la compra.)

La instalación y el funcionamiento de todos los productos tiene que ser de acuerdo con los procedimientos y con las normas que recomienda el fabricante. El uso indebido o la instalación incorrecta podría anular esta garantía.

Si se encuentra un defecto durante el uso residencial normal en los Estados Unidos o Canadá, Kohler Co., a su criterio, reparará o reemplazará la unidad, o realizará los ajustes pertinentes. Esta garantía no cubre daños causados por accidente, abuso o uso indebido. Kohler Co. no se hace responsable de costos de mano de obra, desinstalación, instalación u otros costos incidentales o indirectos. En ningún caso la responsabilidad de Kohler Co. excederá el precio de compra del producto. **Estos sistemas de filtración de agua no han sido probados ni certificados en cuanto a las normas reglamentarias fuera de los Estados Unidos y Canadá. En la medida en que la ley lo permita, por medio de la presente Kohler Co. descarga responsabilidad de toda garantía de sistemas de filtración de agua utilizados fuera de los Estados Unidos y Canadá, expresas o implícitas, incluyendo, entre otras, garantías implícitas de comercialización e idoneidad para un uso determinado.**

Para obtener servicio de garantía comuníquese con Kohler Co. a través de su distribuidor, de un contratista de plomería, de un centro de remodelación o del distribuidor por Internet, o escriba a Kohler Co., Atención: Customer Care Center, 444 Highland Drive, Kohler, WI 53044, EE.UU., o llame al 1-800-4-KOHLER (1-800-456-4537) desde los EE.UU. y Canadá, o al 001-800-456-4537 desde México, o visite www.kohler.com desde los EE.UU., www.ca.kohler.com desde Canadá, o www.mx.kohler.com en México.

Garantía (cont.)

KOHLER CO. Y/O EL VENDEDOR OFRECEN ESTAS GARANTÍA QUE SUSTITUYEN TODAS LAS DEMÁS GARANTÍAS, EXPRESAS O IMPLÍCITAS, INCLUIDAS, ENTRE OTRAS, LAS GARANTÍAS IMPLÍCITAS DE COMERCIALIZACIÓN E IDONEIDAD PARA UN USO DETERMINADO. KOHLER CO. Y/O EL VENDEDOR DESCARGAN TODA RESPONSABILIDAD POR CONCEPTO DE DAÑOS PARTICULARES, INCIDENTALES O INDIRECTOS.

Algunos estados/provincias no permiten limitaciones en cuanto a la duración de una garantía implícita o a la exclusión o limitación de daños particulares, incidentales o indirectos, por lo que estas limitaciones y exclusiones pueden no aplicar a su caso. Esta garantía le otorga ciertos derechos legales específicos. Además, usted también puede tener otros derechos que varían de estado a estado y de provincia a provincia. Esta garantía limitada otorga derechos legales específicos que se aplican dentro de los EE.UU. Pueden existir otros derechos, pero estos pueden variar de un país a otro.

Esta es la garantía exclusiva por escrito de Kohler Co.

1285422-2-C

1285422-2-C

1285422-2-C

USA/Canada: 1-800-4KOHLER

México: 001-800-456-4537

kohler.com

THE BOLD LOOK
OF **KOHLER**®

©2018 Kohler Co.

1285422-2-C