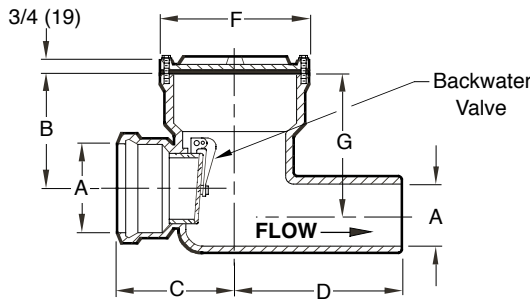


BACKWATER VALVES

SEWER VALVES

FUNCTION: Used in main or branch sewer lines to protect basements and low areas against backflow from the street sewers. Valve design permits access to backwater valve assembly, for servicing or cleaning through a "full opening" bolted cover or threaded cover.

BOLTED COVER



THREADED COVER

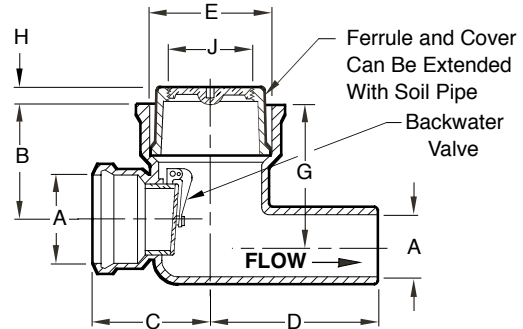


Fig. 7012S HUB INLET - SPIGOT OUTLET
 Fig. 7012Y NO-HUB INLET INLET & OUTLET

Fig. 7022S HUB INLET - SPIGOT OUTLET
 Fig. 7022Y NO-HUB INLET INLET & OUTLET

A* SIZE	B	C	D	E SIZE	F DIA	G	H	J SIZE
02 (50)	4 1/2 (115)	5 (125)	7 (180)	4 (100)	6 1/2 (165)	6 (150)	1 1/4 (32)	3 1/2 (89)
03 (80)	6 1/4 (160)	5 3/4 (145)	9 (230)	5 (125)	7 1/2 (190)	7 1/2 (190)	1 1/2 (38)	4 (100)
04 (100)	6 1/2 (165)	6 1/2 (165)	9 1/2 (240)	6 (150)	8 1/2 (215)	8 (205)	1 (25)	5 (125)
05 (125)	7 (180)	7 3/4 (195)	10 1/2 (265)	8 (180)	10 3/4 (275)	8 3/4 (220)	1 (25)	6 (150)
06 (150)	8 (205)	7 3/4 (195)	11 1/2 (290)	8 (180)	10 3/4 (275)	9 3/4 (250)	1 (25)	6 (150)
08 (200)	9 1/2 (240)	9 1/2 (240)	12 1/2 (320)	10 (255)	13 (330)	11 3/4 (300)	1 (25)	6 (150)

* Sized for Service Weight and/or NO-HUB

NOTE: B.W.V. flapper set at factory to hang in closed position. Pin can be moved to permit flapper to hang open 1/4" (6) to permit air circulation.

NOTE: 2-4" size furnished with Delrin Backed Neoprene flapper. All other sizes furnished with bronze flapper.

NOTE: These valves offer protection against backwater surges. Backflow is prevented when valve is not obstructed by debris or sludge. Use for gravity flow only, not for pressurized applications.

REGULARLY FURNISHED:

Duco Cast Iron Body with Bronze Backwater Valve. Cover as Indicated by Figure Number Selected.

OPTIONAL MATERIALS:

- Galvanized Cast Iron -G
- Stainless Steel (Fig. 7012 only) (Specify Fig. 9795)

NOTE: Dimensions shown in parentheses are in millimeters.

DRAWING NUMBER **S7012**
 SIZE **A**
 SCALE: **NONE**
 DATE: **4-28-83**
 APPROVED BY: **SJM**
 CHECKED BY: **DT**
 DRAWN BY: **BS**
7012/7022
 DIMENSIONS ARE SUBJECT TO MANUFACTURERS TOLERANCE AND CHANGE WITHOUT NOTICE
 WE CAN ASSUME NO RESPONSIBILITY FOR USE OF SUPERSEDED OR VOID DATA

H G F E	12-5-16 12-19-12 7-10-95 8-17-94	Added Note Revised Text Added Millimeters Submittal Update	TBW TBW EMB EMB	BW CL BS BS	WEIGHT POUNDS	VOLUME CUBIC FEET	FIGURE NUMBER 7012/7022
REV.	DATE	DESCRIPTION	BY	CKD. BY			