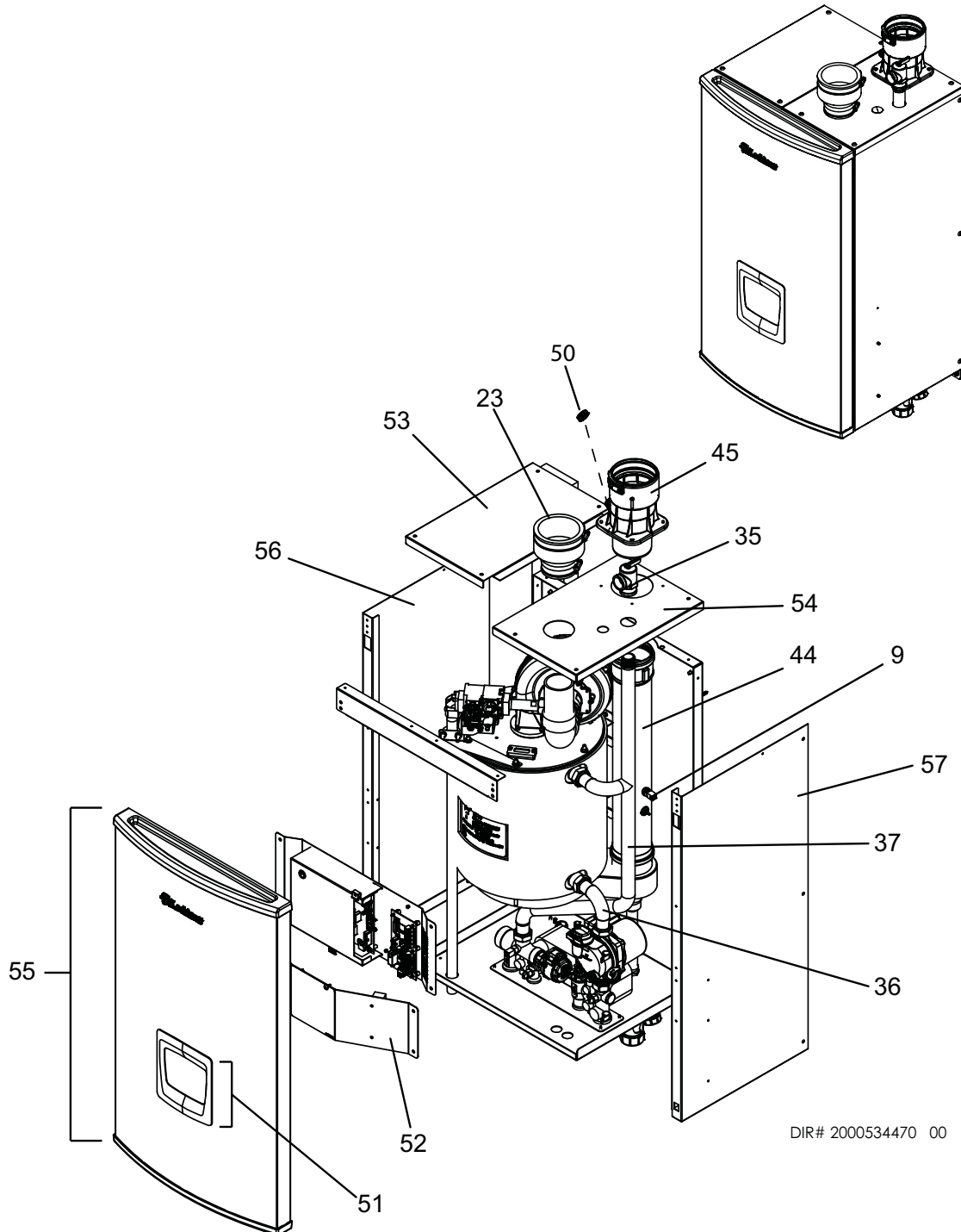




Replacement Parts List

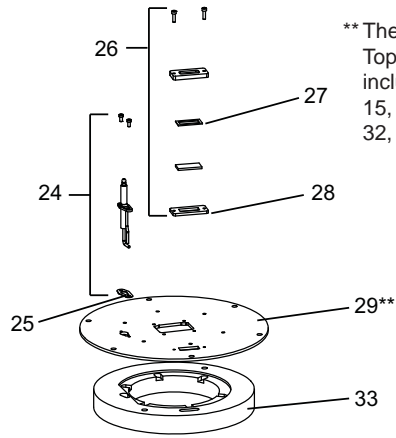
PARTS & SERVICE DEPARTMENT
 Nashville, Tennessee
 877-554-5544 • Fax: 615-547-1000
 parts_team@lochinvar.com
 www.lochinvar.com

Lochinvar Combi Boiler NKC 110 thru 199 (N,L)

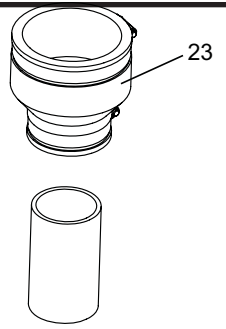
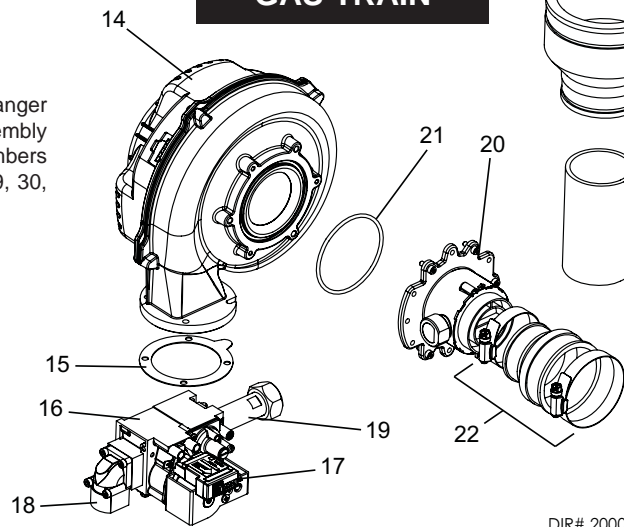
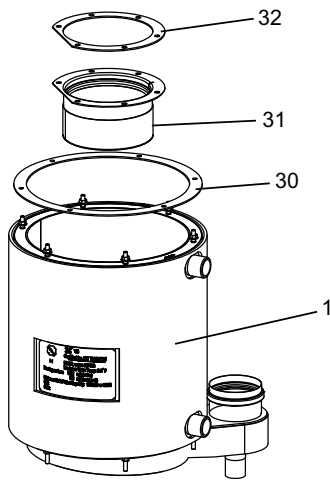


DIR# 2000534470 00

HEAT EXCHANGER

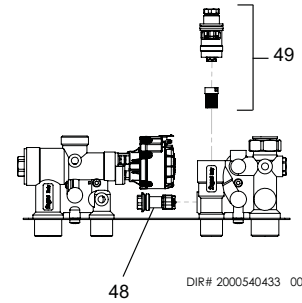
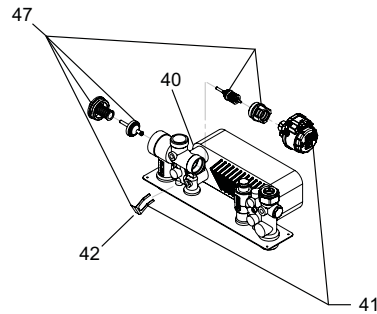


** The Heat Exchanger Top Plate Assembly includes item numbers 15, 25, 27, 28, 29, 30, 32, and 33.



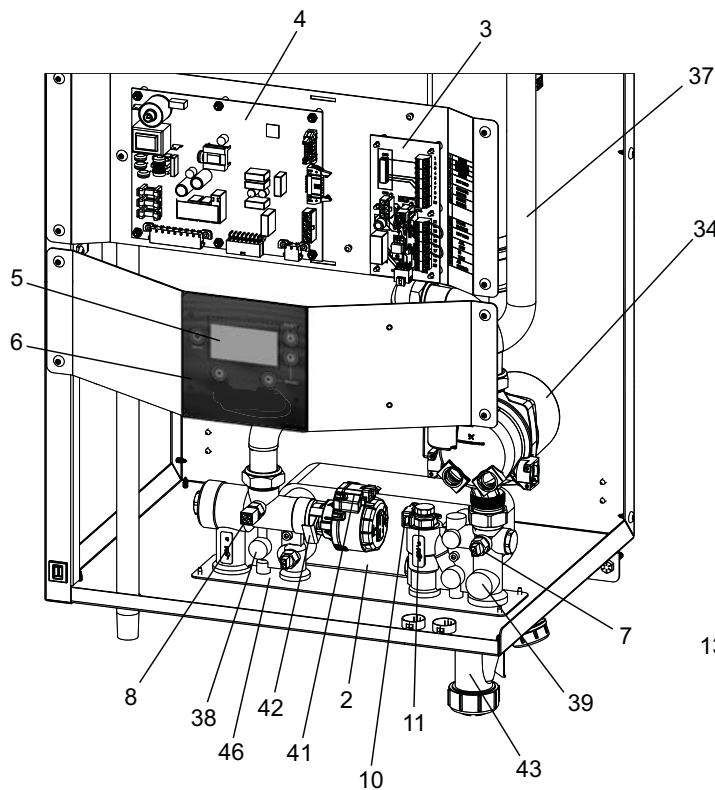
DIR# 2000534767 00

CONTROLS



DIR# 2000540433 00

DIR# 2000534752 00



DIR# 2000534776 00

ITEM NO.	PART NO.	DESCRIPTION	MODEL
HEAT EXCHANGER ASSEMBLIES			
1	100275478	HEAT EXCHANGER ASSEMBLY	NKC 110
1	100275479	HEAT EXCHANGER ASSEMBLY	NKC 150
1	100275480	HEAT EXCHANGER ASSEMBLY	NKC 199
2	100275501	HEAT EXCHANGER ASSEMBLY, BRAZED PLATE	ALL
CONTROLS			
3	100275502*	CONNECTION BOARD	ALL
4	100275507*	CONTROL BOARD, MAIN	NKC 110
4	100275508*	CONTROL BOARD, MAIN	NKC 150
4	100275510*	CONTROL BOARD, MAIN	NKC 199
4	100275522	CONTROL BOARD, MAIN - HIGH ALTITUDE	NKC 110
4	100275523	CONTROL BOARD, MAIN - HIGH ALTITUDE	NKC 150
4	100275524	CONTROL BOARD, MAIN - HIGH ALTITUDE	NKC 199
5	100275525	CONTROL BOARD, USER INTERFACE	ALL
6	100275526	LABEL, CONTROL OVERLAY	ALL
7	100208560*	SENSOR, INLET / DHW	ALL
8	100208547*	SENSOR, OUTLET / HIGH LIMIT	ALL
9	100275527*	SENSOR, FLUE W/ GROMMET	ALL
10	100275528*	SENSOR, FLOW	ALL
-	100157742	SENSOR, OUTDOOR AIR	ALL
11	100278304*	SWITCH, FLOW W/ GREASE COMPOUND	ALL
12	100275596*	SWITCH, PRESSURE	ALL
13	100208230	TRANSFORMER - 24V, 40VA	ALL
GAS TRAIN			
14	100266999*	FAN ASSEMBLY W/ GASKET	NKC 110 - 150
14	100275531*	FAN ASSEMBLY W/ GASKET	NKC 199
15	100208101*	GASKET, FAN	ALL
16	100275532	GAS VALVE ASSEMBLY W/ GASKET	ALL
17	100275533	SWITCH, GAS VALVE ON/OFF	ALL
18	100275534	FLANGE, GAS VALVE W/ GASKET	ALL
19	100276451	ADAPTER, GAS VALVE W/ GASKET	NKC 110
19	100275537	ADAPTER, GAS VALVE W/ GASKET	NKC 150
19	100276430	ADAPTER, GAS VALVE W/ GASKET	NKC 199
-	100275538	GASKET, GAS VALVE ADAPTER	ALL
20	100275539	VENTURI, NAT	NKC 110
20	100284322	VENTURI, NAT	NKC 150
20	100275540	VENTURI, NAT	NKC 199
20	100275546	VENTURI, LP	NKC 110
20	100275548	VENTURI, LP	NKC 150
20	100275549	VENTURI, LP	NKC 199
21	100284309*	GASKET, VENTURI O-RING	NKC 110 - 150
21	100208761*	GASKET, VENTURI O-RING	NKC 199
22	100275550	COUPLING, VENTURI W/ CLAMPS	ALL
23	100275561	COUPLING, AIR INLET	ALL
PILOT AND BURNER ASSEMBLIES			
24	100275562*	KIT, IGNITOR W/ GASKET & SCREWS	ALL
25	100208086	GASKET, IGNITOR	ALL
26	100189215	KIT, SIGHT GLASS W/ GASKETS	ALL
27	100275564	GASKET, SIGHT GLASS - WHITE	ALL
28	100275566	GASKET, SIGHT GLASS - RED	ALL
29	100275567**	HEAT EXCHANGER TOP PLATE ASSEMBLY	NKC 110
29	100275568**	HEAT EXCHANGER TOP PLATE ASSEMBLY	NKC 150
29	100275569**	HEAT EXCHANGER TOP PLATE ASSEMBLY	NKC 199
30	100275572	GASKET, HEAT EXCHANGER TOP PLATE	NKC 110
30	100275573	GASKET, HEAT EXCHANGER TOP PLATE	NKC 150
30	100275575	GASKET, HEAT EXCHANGER TOP PLATE	NKC 199
31	100275577	BURNER W/ GASKET	NKC 110
31	100275578	BURNER W/ GASKET	NKC 150
31	100275580	BURNER W/ GASKET	NKC 199
PLEASE HAVE MODEL AND SERIAL NUMBER WHEN ORDERING PARTS *ITEMS DENOTE SUGGESTED INVENTORY PARTS			

ITEM NO.	PART NO.	DESCRIPTION	MODEL
PILOT AND BURNER ASSEMBLIES (CONTINUED)			
32	100275582*	GASKET, BURNER	NKC 110
32	100275583*	GASKET, BURNER	NKC 150 - 199
33	100275584	INSULATION, TOP PLATE	NKC 110
33	100275585	INSULATION, TOP PLATE	NKC 150
33	100275586	INSULATION, TOP PLATE	NKC 199
PUMPS			
34	100275607*	PUMP ASSEMBLY W/ GASKETS	ALL
MISCELLANEOUS			
35	100275587	RELIEF VALVE, 50 PSI	ALL
-	100274770*	GAUGE, TRIOMETER - 75 PSI, 210°F	ALL
36	100275588	WATER TUBE, INLET - COMBI	ALL
37	100275589	WATER TUBE, OUTLET - COMBI	ALL
-	100233625	GASKET, WATER TUBE	ALL
38	100275590	KIT, FLOW GROUP W/ GASKETS	ALL
39	100275592	KIT, RETURN GROUP W/ GASKETS	ALL
40	100275593	GASKET, HEX TO FLOW GROUP	ALL
41	100275594	DIVERTER MOTOR W/ CLIP	ALL
42	100276429	CLIP, DIVERTER MOTOR	ALL
43	100275597*	CONDENSATE TRAP ASSEMBLY	ALL
-	100275598	HOSE, CONDENSATE TRAP	ALL
44	100275599	FLUE CONNECTION PIPE, 3" CPVC	NKC 110 - 199
45	100275600	FLUE ADAPTER, 3" PVC W/ ANALYZER PORT	ALL
-	100285280	GASKET, FLUE ADAPTER, 80 MM	ALL
-	100284239	SHUTTER, AIR (LP ONLY)	NKC 110 L
-	100284238	SHUTTER, AIR (LP ONLY)	NKC 150 L
-	100284237	SHUTTER, AIR (LP ONLY)	NKC 199 L
-	100275616	HARNESS, MAIN UNIT	ALL
-	100275604	HARNESS, POWER - COMBI	ALL
-	100284234	HARNESS, SPARK IGNITOR	ALL
-	100275606	HARNESS, CONNECTION BOARD	ALL
-	100286124	AUTOMATIC AIR VENT	ALL
-	100208651*	LOW WATER CUT OFF, AUTO RESET	ALL
46	100276452	MOUNTING PLATE, WATERSET	ALL
47	100278302	DIVERTER MOTOR ASSEMBLY	ALL
48	100278303	BYPASS ASSEMBLY	ALL
49	100278304	SWITCH, FLOW W/ GREASE COMPOUND (EXPLODED VIEW)	ALL
50	100278305	COMBUSTION ANALYZER PORT COVER	ALL
JACKET ASSEMBLIES			
51	100275609	KIT, DISPLAY BEZEL W/ CLIPS	ALL
52	100275610	KIT, BEZEL BRACKET W/ CONTROL OVERLAY LABEL	NKC 110
52	100275631	KIT, BEZEL BRACKET W/ CONTROL OVERLAY LABEL	NKC 150 - 199
-	100275632	JACKET, OUTER TOP FRONT	NKC 110
53	100275633	JACKET, OUTER TOP - LEFT	NKC 150 - 199
54	100275634	JACKET, OUTER TOP - RIGHT	NKC 150
54	100275635	JACKET, OUTER TOP - RIGHT	NKC 199
55	100275637	JACKET, OUTER FRONT DOOR ASSEMBLY	NKC 110
55	100275638	JACKET, OUTER FRONT DOOR ASSEMBLY	NKC 150 - 199
56	100275639	JACKET, OUTER LEFT SIDE	ALL
57	100275640	JACKET, OUTER RIGHT SIDE	ALL

PLEASE HAVE MODEL AND SERIAL NUMBER WHEN ORDERING PARTS
*ITEMS DENOTE SUGGESTED INVENTORY PARTS