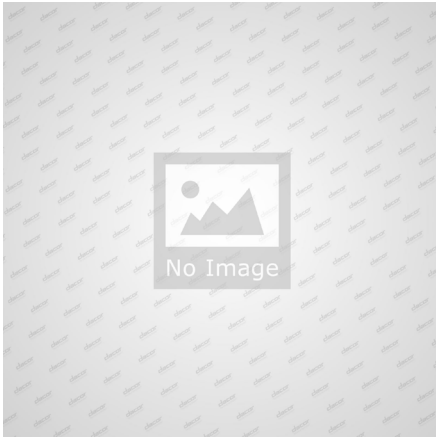


DMR30M977W
30-INCH MICROWAVE-IN-A-DRAWER
 MODERNIST COLLECTION



AVAILABLE MODELS

- DMR30M977WS - 30" Microwave-In-A-Drawer, Stainless Steel
- DMR30M977WM - 30" Microwave-In-A-Drawer, Graphite Stainless Steel

FEATURES & BENEFITS

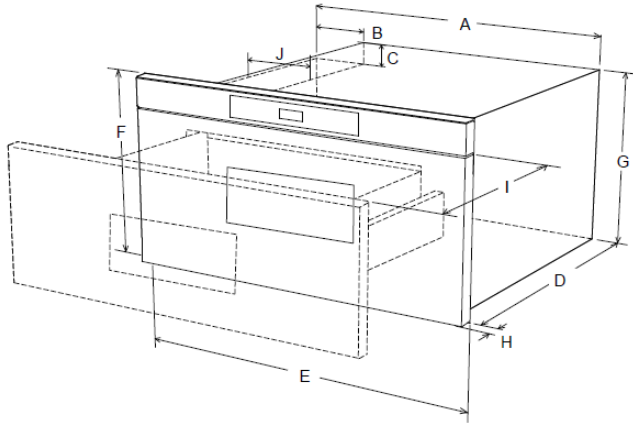
- Drawer Configuration for under the counter installations.
- Automatic Drawer Opening for easy loading and unloading.
- Beverage Center enables you to restore coffee or tea to a suitable drinking temperature or to make instant coffee or tea.
- Sensor Cooking in three easy steps prepares your selected food choice.
- Multiple Sequence Cooking programs up to 4 automatic cooking sequences, switching from one power level setting to another automatically.
- Keep Warm keeps food warm up to 30 minutes.
- Easy Minute allows you to cook for a minute at 100% by simply touching the Easy Minute key.
- Automatic Start lets you program the microwave to begin cooking automatically at a designated time of day.
- Control Lock prevents unwanted operation, such as by small children, and can be set so that the control panel is deactivated or locked.

FEATURES	
Drawer Configuration	Yes
Push to Open Drawer	Yes
Beverage Center	Yes
Sensor Cooking	Yes
Multiple Sequence Cooking	Yes
Automatic Start	Yes
CONTROLS	
Control Lock	Yes
MENU	
Keep Warm	Yes
Easy Minute	Yes
MODES	
Proof (Degrees - Fahrenheit)	85-120
Low (Degrees - Fahrenheit)	121-160
Medium (Degrees - Fahrenheit)	161-190
High (Degrees - Fahrenheit)	191-220
TECHNICAL DETAILS	
Capacity (cu. ft.)	1.2
Heat Element	950W
Circuit Breaker (A)	15
Volts (V)	120
Frequency (Hz)	60
Energy Source	Electric
DIMENSIONS & WEIGHT	
Appliance Dimensions (H x W x D) (in.)	15 7/8" x 30" x 21 7/8"
Cut-Out Dimensions (H x W x D) (in.)	15 9/16" x 22 1/8" x 23 1/2"
WARRANTY	
Limited, Parts and Labor	1 Year

DMR30M977W
30-INCH MICROWAVE-IN-A-DRAWER
 MODERNIST COLLECTION

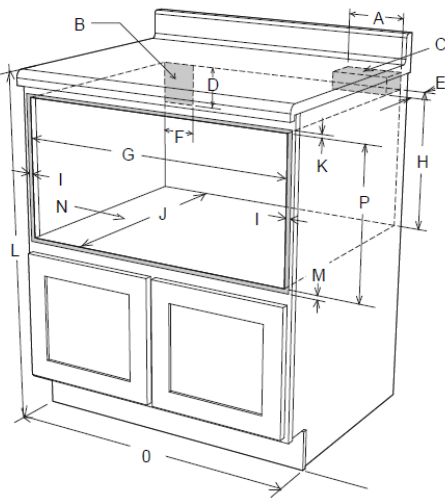


APPLIANCE DIMENSIONS



A	21 5/8"
B	4 11/16"
C	1 3/4"
D	21 7/8"
E	30"
F	15 7/8"
G	14 19/32"
H	1 9/64" door thickness
I	15" auto drawer opening
J	4"

CUTOUT DIMENSIONS



A	6"
B	Electrical Outlet Location
C	Anti-Tip Block
D	5"
E	3 1/2"
F	4"
G	22 1/8" minimum 28 7/16" maximum
H	14 13/16" to bottom of anti-tip block
I	Allow 23/32" minimum overlap
J	23 1/2" minimum depth
K	Allow 3/16" minimum overlap
L	36" nominal countertop height
M	Allow 1/8" minimum overlap
N	Floor must support 100 lbs.
O	* 30" cabinet minimum
P	15 9/16" opening

NOTE: Open Top Cabinet illustrated.