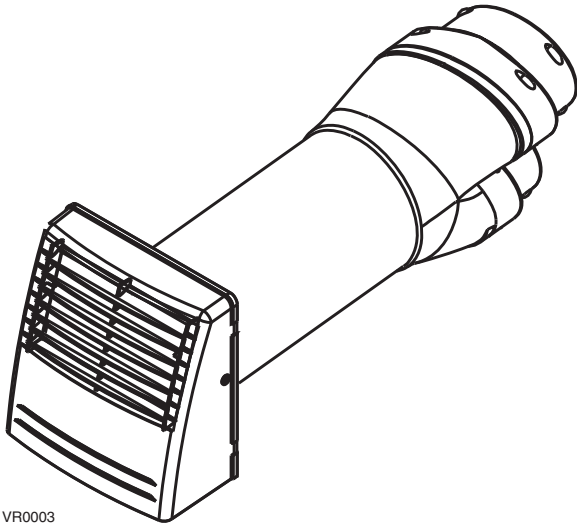


BROAN®

DUAL EXTERIOR HOOD INSTALLATION KIT

Part number: TYK1



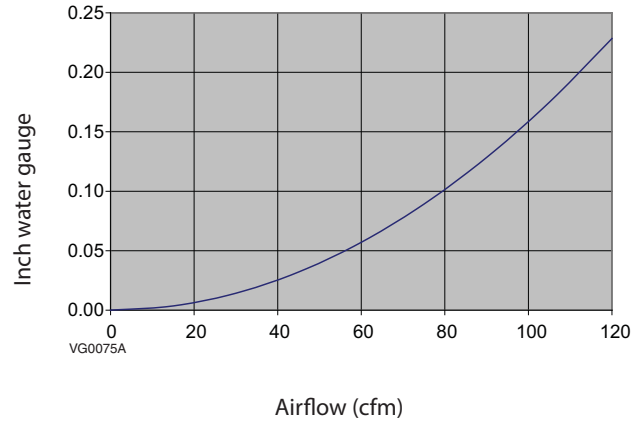
TWO EXTERNAL VENTS IN ONE!

Imagine... Only one hole to cut in the exterior wall to perform an outside connection for an HRV or ERV. Introducing the simplest way to perform the outside connection for units that have a flow rate of less than 110 CFM (0.4 in. w.g.) : the Dual Exterior Hood Kit.

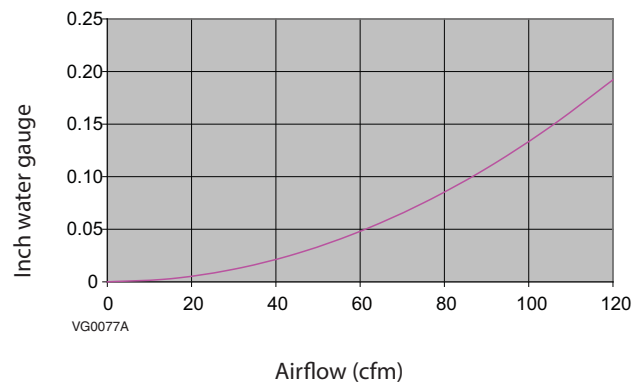
- Only one 6" diameter hole in the exterior wall
- Aesthetic white polypropylene dual outside port
- Transition fits both 5" or 6" diameter insulated flexible ducts
- Hardware included
- Light materials, handy design
- Outside connection performed in half of the time
- Complies with ASHRAE 62.2-2016

The revolutionary design of the Dual Exterior Hood Kit simplifies the installation because there is only one hole to cut in the exterior wall. In fact, every installer knows that locating efficiently one outside port is easier (and faster) than locating two. And moreover, there is almost no cross-contamination between the exhaust and intake airflows!

Pressure drops (air intake)



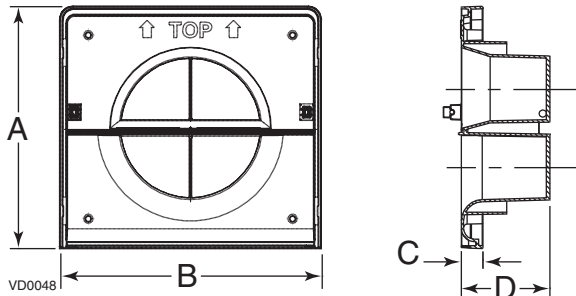
Pressure drops (air exhaust)



Available at:

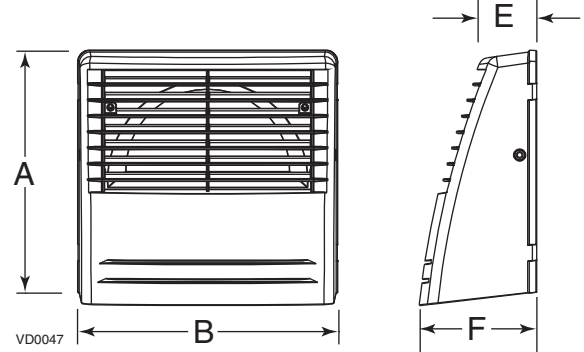
Dimensions of the Dual Outside Port Backplate

A	B	C	D
8 ³ / ₈ " (214 mm)	9" (231 mm)	3/4" (19 mm)	3" (76 mm)

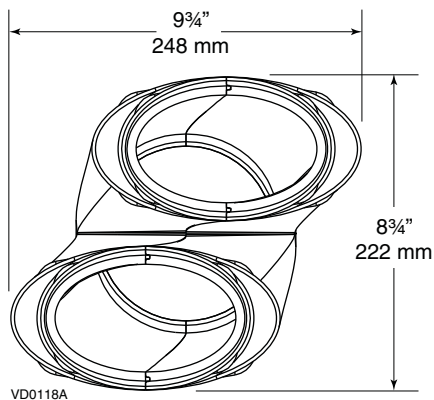


Dimensions of the Dual Outside Port

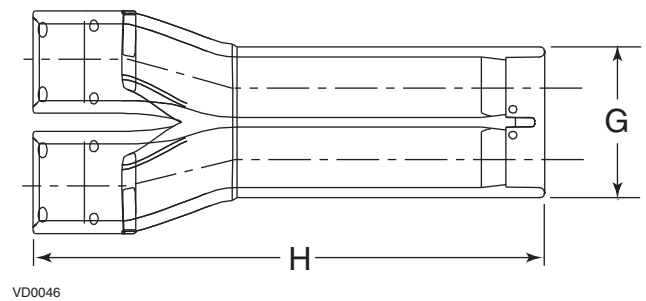
A	B	E	F
8 ³ / ₈ " (214 mm)	9" (231 mm)	1 ⁷ / ₈ " (48 mm)	3 ⁵ / ₈ " (92 mm)



Dimensions of the Transition

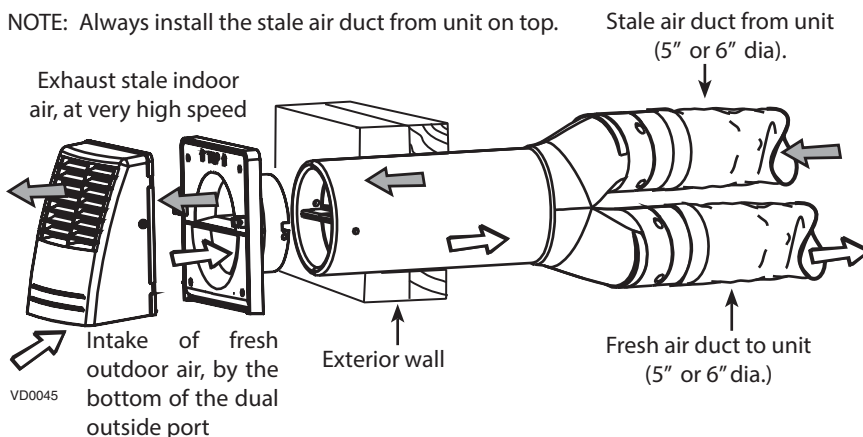


G	H
6" (152 mm)	20" (508 mm)



Installation

NOTE: Always install the stale air duct from unit on top.



Specifications and ratings

- Part number: TYK1
- Material for transition: Expanded polystyrene, Grade 54 (building material)
- Material for dual outside port: White polypropylene
- Contamination rate: 3.2% between stale air to outdoors and fresh air from outdoors

Submitted by:		Date:	Project:
Quantity:	Model number:	Remarks:	Location:
			Architect:
			Engineer:
			Contractor: