

800 PSI STAINLESS STEEL Y-STRAINER

Features:

- 800 PSI CWP
- Temperature: -4°F to 356°F
- Investment Cast Components
- Stainless Steel Body and Screen
- Viton® O-ring Seal
- Threaded NPT Ends
- 20 Mesh Screen

Standards:

- Pressure Test: API 598
- Material: ASTM/ASME B16.34
- Connections: ANSI B1.20.1 (NPT)



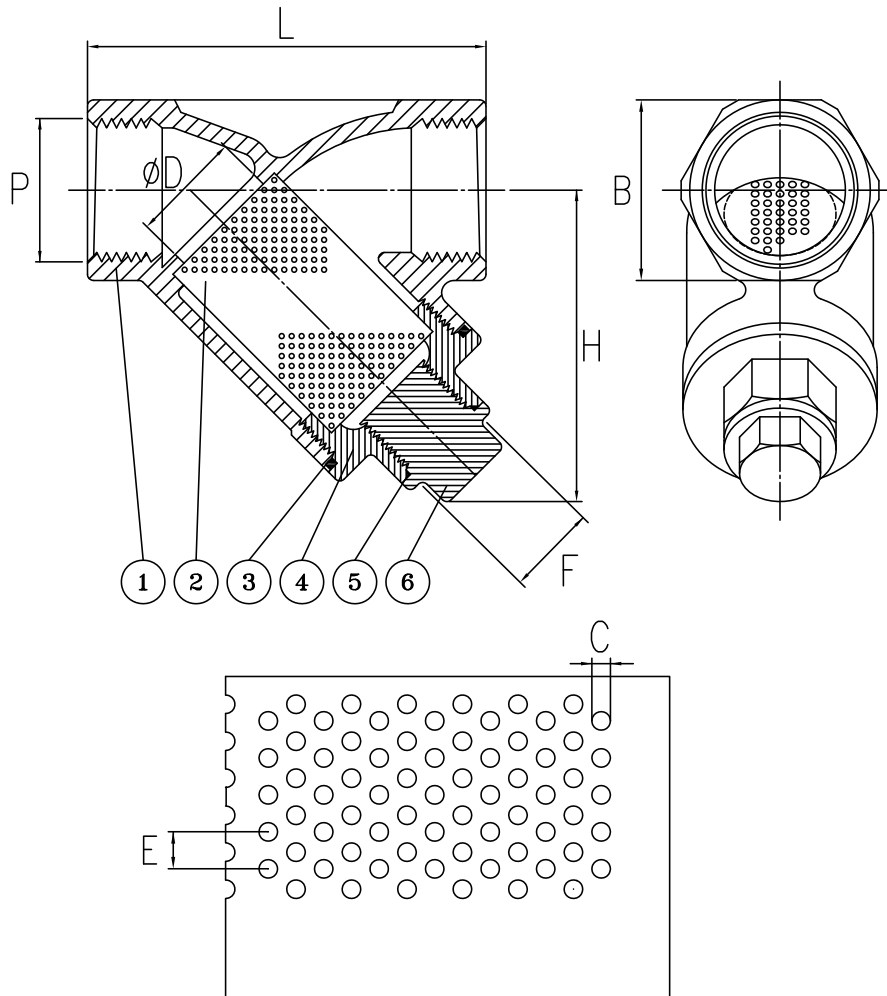
Weights

Size	Wt. (lbs.)
1/2	0.5
3/4	0.8
1	1.6
1-1/4	1.9
1-1/2	2.7
2	4.3

Figure Number Matrix

FNW YSS <u>Size</u>	
<u>SIZE CODE</u>	
1/2 = D	1-1/4 = H
3/4 = F	1-1/2 = J
1 = G	2 = K
<u>REPLACEMENT O-RINGS</u>	<u>REPLACEMENT GASKETS</u>
1/2 = FNWYSSOD	1/2 = FNWYSSGD
3/4 = FNWYSSOF	3/4 = FNWYSSGF
1 = FNWYSSOG	1 = FNWYSSGG
1-1/4 = FNWYSSOH	1-1/4 = FNWYSSGH
1-1/2 = FNWYSSOJ	1-1/2 = FNWYSSGJ
2 = FNWYSSOK	2 = FNWYSSGK

800 PSI STAINLESS STEEL Y-STRAINER



Dimensions (inches)

Size	ØD	L	H	B	C	E	F (NPT)	P (NPT)
1/2	0.59	2.56	1.89	1.02	0.039	0.079	1/4"	1/2"
3/4	0.79	3.15	2.17	1.30	0.039	0.079	1/4"	3/4"
1	0.98	3.54	2.76	1.61	0.039	0.079	1/2"	1"
1-1/4	1.26	4.13	2.91	1.93	0.039	0.079	1/2"	1-1/4"
1-1/2	1.58	4.75	3.23	2.21	0.039	0.079	1/2"	1-1/2"
2	1.97	5.51	3.74	2.72	0.039	0.079	1/2"	2"

Standard Materials

Ref. No.	Description	Material	Qty
1	Body	ASTM A351 Gr. CF8M	1
2	Screen	316SS	1
3	Gasket	PTFE	1
4	Bonnet	ASTM A351 Gr. CF8M	1
5	O-ring	Viton®	1
6	Plug	ASTM A351 Gr. CF8M	1

DOC: FNW14B_17 Ver. 10/2017

© 2017 - FNW. All rights reserved.

The FNW logo is a trademark of Ferguson Enterprises, Inc., PL Sourcing, PO Box 2778, Newport News, VA 23609

The contents of this publication are presented for information purposes only, and while effort has been made to ensure their accuracy, they are not to be construed as warranties or guarantees, expressed or implied, regarding the products or services described herein or their use or applicability. All sales are governed by our terms and conditions, which are available on request. We reserve the right to modify or improve the designs or specifications of our products at any time without notice. Always verify that you have the most recent product specifications or other documentation prior to the installation of these products.