

SPECIFICATIONS

FIGURE 7898 COUPLING



INSULATION COUPLING

For use with elastomeric insulation

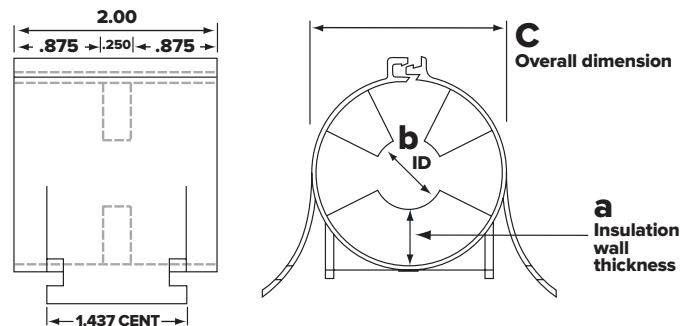
FEATURES

- UL Classified 2043 (25/50) for use in plenums and air handling systems
- Superior vapor barrier at suspension points
- Eliminates insulation compression
- Single-piece product
- Installs in seconds
- Dramatically improves finished appearance of insulated tube runs
- No metal clamps
- Available for 1/2" to 2-5/8" O.D. tube
- Insulation wall thickness sizes include: 1/2", 3/4" and 1"
- Molded with high-strength Thermoplastic Olefin (TPO)
- Temperature rating: -60° F to +225° F
- Weld stud 5/16-18" x 1.25"
- Made in the USA

MADE IN THE
USA



a – Strut Mounted Coupling for 1/2" Wall Insulation		
Catalog Number	b – Clamp ID	C
	Tube OD	in.
FNW7898D0050	1/2" OD	1.62
FNW7898D0062	5/8" OD	1.75
FNW7898D0087	7/8" OD	2.00
FNW7898D0112	1-1/8" OD	2.25
FNW7898D0137	1-3/8" OD	2.50
FNW7898D0162	1-5/8" OD	2.75
FNW7898D00212	2-1/8" OD	3.25

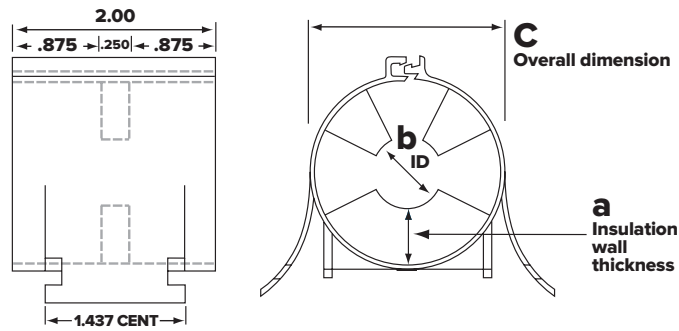


SPECIFICATIONS

FIGURE 7898
COUPLING



INSULATION COUPLING



a – Strut Mounted Coupling for 3/4" Wall Insulation		
Catalog Number	b – Clamp ID Tube OD	C in.
FNW7898F0062	5/8" OD	2.25
FNW7898F0087	7/8" OD	2.50
FNW7898F0112	1-1/8" OD	2.75
FNW7898F0137	1-3/8" OD	3.00

a – Strut Mounted Coupling for 1" Wall Insulation		
Catalog Number	b – Clamp ID Tube OD	C in.
FNW7898G0087	7/8" OD	3.00
FNW7898G0112	1-1/8" OD	3.25
FNW7898G0137	1-3/8" OD	3.50
FNW7898G0162	1-5/8" OD	3.75
FNW7898G0212	2-1/8" OD	4.25
FNW7898G0262	2-5/8" OD	4.75