

SPECIFICATIONS

FNW7893

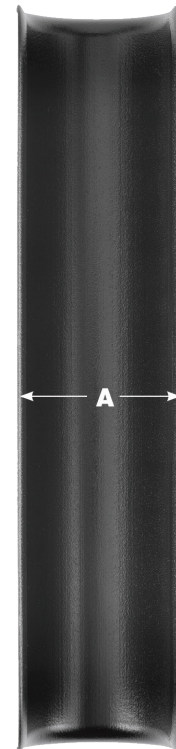
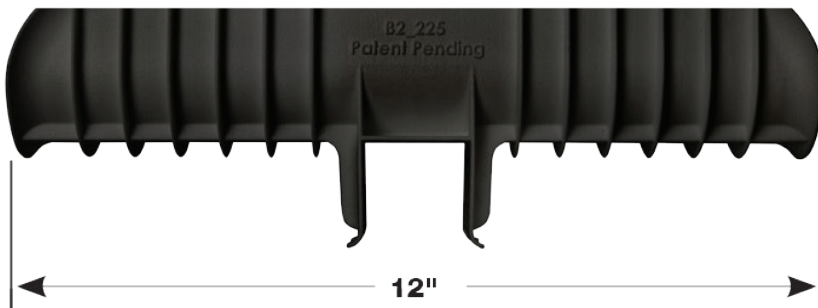
PIPE SADDLE



BRONCO® INSULATION TUBE & PIPE SADDLE

FEATURES

- Universal mounting feature
 - Allows secure fit on either side of channel
 - Molded with self-tapping screw location hole
- UL Classified 2043 flame spread/smoke index for use in air handling systems
 - Manufactured from high-strength polypropylene copolymer
- Extra strength ribbed side walls
 - No assembly or tools required
 - Enhanced safety lip prevents insulation crushing and tearing from pipe movement
- UV resistant
 - Available in black and white to match insulation
 - Excellent finished appearance
- Made in the U.S.A.



REFERENCE CHART

Alt Code Black	Alt Code White	Dimension A (in.)
FNW7893B0225	FNW7893W0225	2-1/4"
FNW7893B0325	FNW7893W0325	3-1/4"
FNW7893B0425	FNW7893W0425	4-1/4"
FNW7893B0525	FNW7893W0525	5-1/4"
FNW7893B0625	FNW7893W0625	6-1/4"

SPECIFICATIONS

FNW7893

PIPE SADDLE



BRONCO® INSULATION TUBE & PIPE SADDLE

INSTALLATION

Easy installation onto channel: Simply set insulation tube/pipe run into saddle.



Available in white or black to match insulation.

