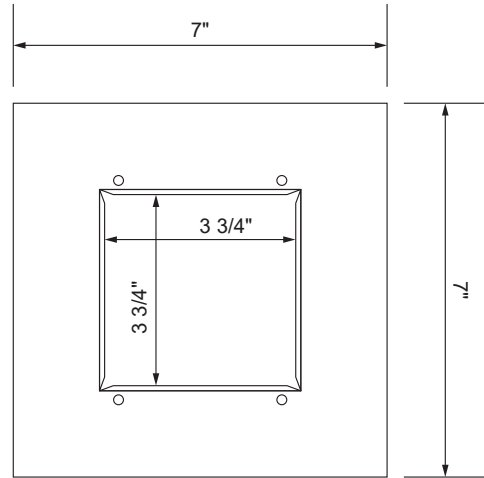
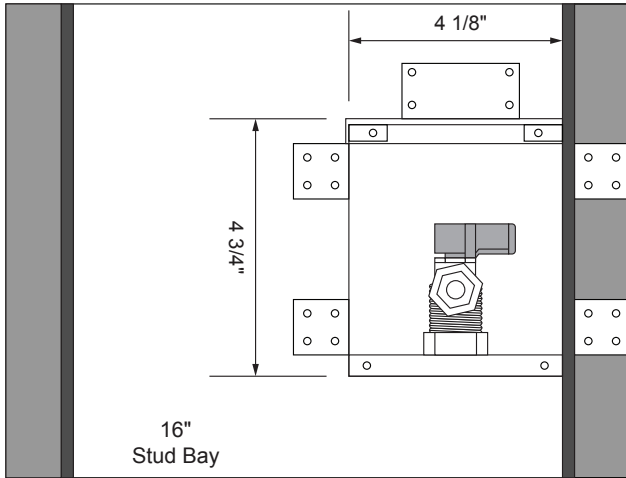




**Mini Stainless Steel Ice Maker Outlet Box
With Lead Free Qtr-turn Valve**



Specifications:

Furnish and install recessed, mini stainless steel ice maker outlet box. Ice maker outlet box shall have a brass plated, quarter turn valve meeting Lead-Free requirements NSF61-NSF/ANSI 372 (annex G) and the U.S. Safe Drinking Water Act. Unit shall be Guy Gray™ product code checked below as manufactured by IPS Corporation.

Item #	Product Description	Model #	Units/Case
88521	Brass Qtr Turn Valve, Installed, 1/2" Sweat Conx.	SSMIB1AB	5
88522	Brass Qtr Turn Valve, Installed, 1/2" CPVC Conx.	SSMIB2AB	5
88523	Brass Qtr Turn Valve, Installed, 1/2" F1807 Conx.	SSMIB3AB	5
88524	Brass Qtr Turn Valve, Installed, 1/2" F1960 Conx.	SSMIB5AB	5



500 Distribution Parkway, Collierville, TN 38017 ▪ Phone: 800-888-8312 ▪ Fax: 901-853-5008 ▪ www.ipscorp.com