

Features

- Elongated, 10-1/2" height bowl.
- 1-1/2" top spud.
- 10" x 7" water surface size.
- 1-7/8" glazed trapway.
- Includes the K-4686 toilet seat with scalloped handhold locations.
- Also available with antimicrobial finish K-96064-SS.

Material

- Vitreous china.

Technology

- Designed to outperform competitors in bowl cleanliness and plug resistance.
- Excellent bowl rinse.
- Maximum drain line carry at 1.28 gpf per ASME Standard.

Installation

- 24-7/16" L x 13-1/8" W x 10-1/2" H
- Children's height bowl.
- 10" or 12" rough-in.
- Replaces Primary K-4321 and K-4384. Height and footprint may vary.

Water Conservation & Rebates

- 1.28 to 1.6 gpf flush range.
- Ultra-low water consumption. Ideal for water conservation and earning Efficiency points in the LEED Green Building Rating System.

Components

Additional included component/s: Spud, and Bolt Cap Accessory Pack.



ADA

Codes/Standards

ASME A112.19.2/CSA B45.1
DOE - Energy Policy Act 1992
EPA WaterSense®
California Energy Commission (CEC)
ADA
ICC/ANSI A117.1


KOHLER® One-Year Limited Warranty

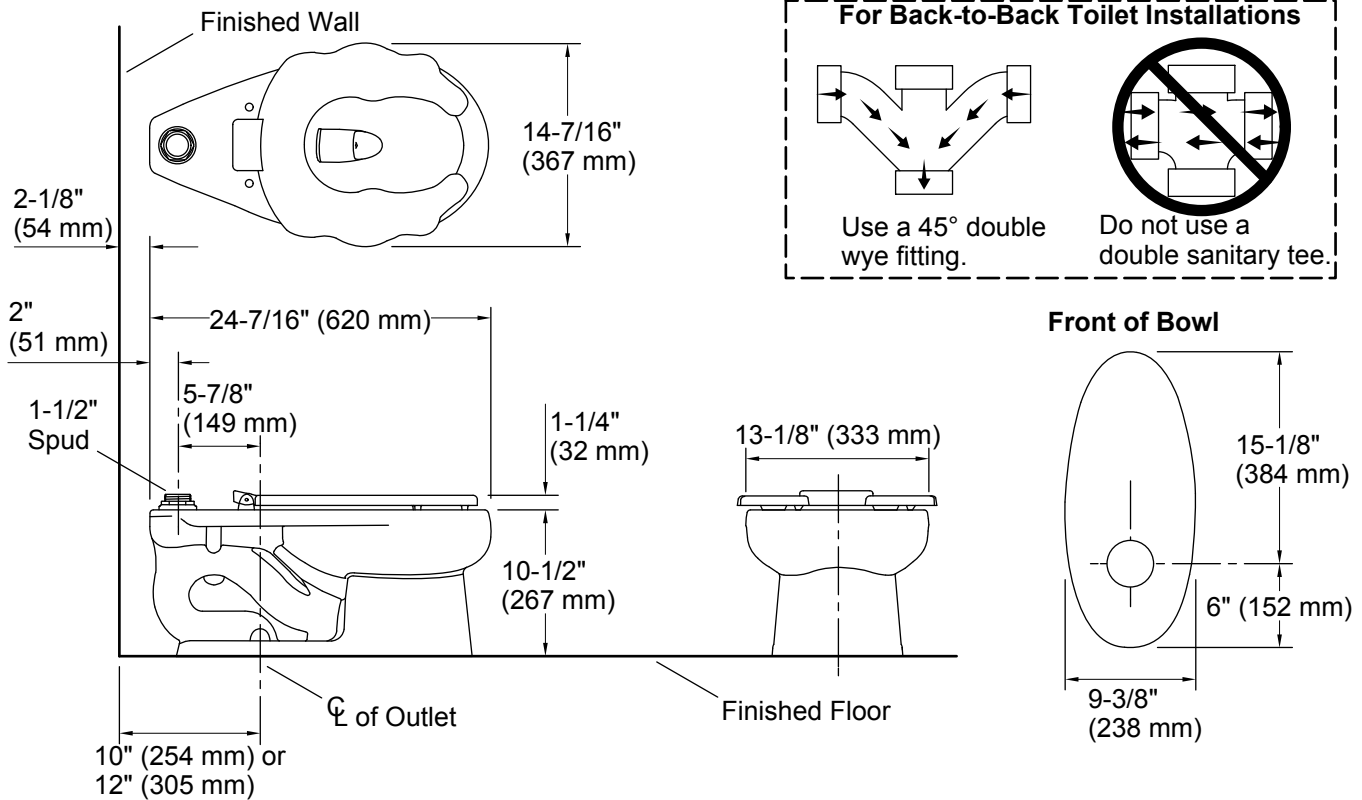
See website for detailed warranty information.

Available Color/Finishes

Color tiles intended for reference only.

Color	Code	Description
-------	------	-------------

	0	White
--	---	-------



Technical Information

All product dimensions are nominal.

Toilet type:	Flushometer, Floor-mount
Waste Outlet:	Floor
Bowl shape:	Elongated front
Flush type:	Flushometer valve siphon
Spud size:	1-1/2", Inlet, Top
Trap passageway:	1-7/8" (48 mm)
Water Consumption	
Full:	1.28 gpf (4.8 lpf) or 1.6 gpf (6 lpf)
Water surface size:	10" x 7" (254 mm x 178 mm)
Rim to water surface:	4-3/8" (111 mm)
Rough-in:	10" or 12" (254 or 305 mm)

Fixture Supply Requirements

Min static pressure:	35 psi (241.3 kPa)
Max static pressure:	80 psi (551.6 kPa)
Min flowing pressure:	25 psi (172.4 kPa)
Min flow rate:	25 gpm (94.6 lpm)

Notes

Install this product according to the installation instructions.

For back-to-back toilet installations: Use only a 45° double wye fitting.

Requires flushometer valve to match desired water consumption 1.28 gpf (4.8 lpf) or 1.6 gpf (6 lpf).

ADA compliant when installed to the specific requirements of these regulations.

Plumbing Codes require elongated toilets and elongated, open-front toilet seats in public bathrooms.

Accessibility standards require controls to be located on the open side of the toilet.