

### Features

- Vintage artisan-inspired top-mount handle provides a unique statement to any bathroom.
- Ceramic disc valves exceed industry longevity standards, ensuring durable performance for life.
- Leak-free ceramic disc valves exceed industry standards by two times for a lifetime of use.
- Temperature memory allows faucet to be turned on and off at any temperature setting.
- High-temperature limit setting for added safety.
- Includes metal pop-up drain with 1-1/4-inch metal tailpiece.
- Single-hole mounting.
- KOHLER finishes resist corrosion and tarnishing.
- Coordinates with other faucets and accessories in the Artifacts collection.
- 1.2 gal/min (4.5 l/min) maximum flow rate [max at 60 psi (4.1 bar)]
- Tall height for vessel sinks.

### Material

- Metal construction.



### Codes/Standards

ASME A112.18.1/CSA B125.1

NSF 61

NSF 372

All applicable US Federal and State material regulations

DOE - Energy Policy Act 1992

EPA WaterSense®

California Energy Commission (CEC)

### KOHLER® Faucet Lifetime Limited Warranty

See website for detailed warranty information.

### Available Color/Finishes

*Color tiles intended for reference only.*

Color	Code	Description
-------	------	-------------



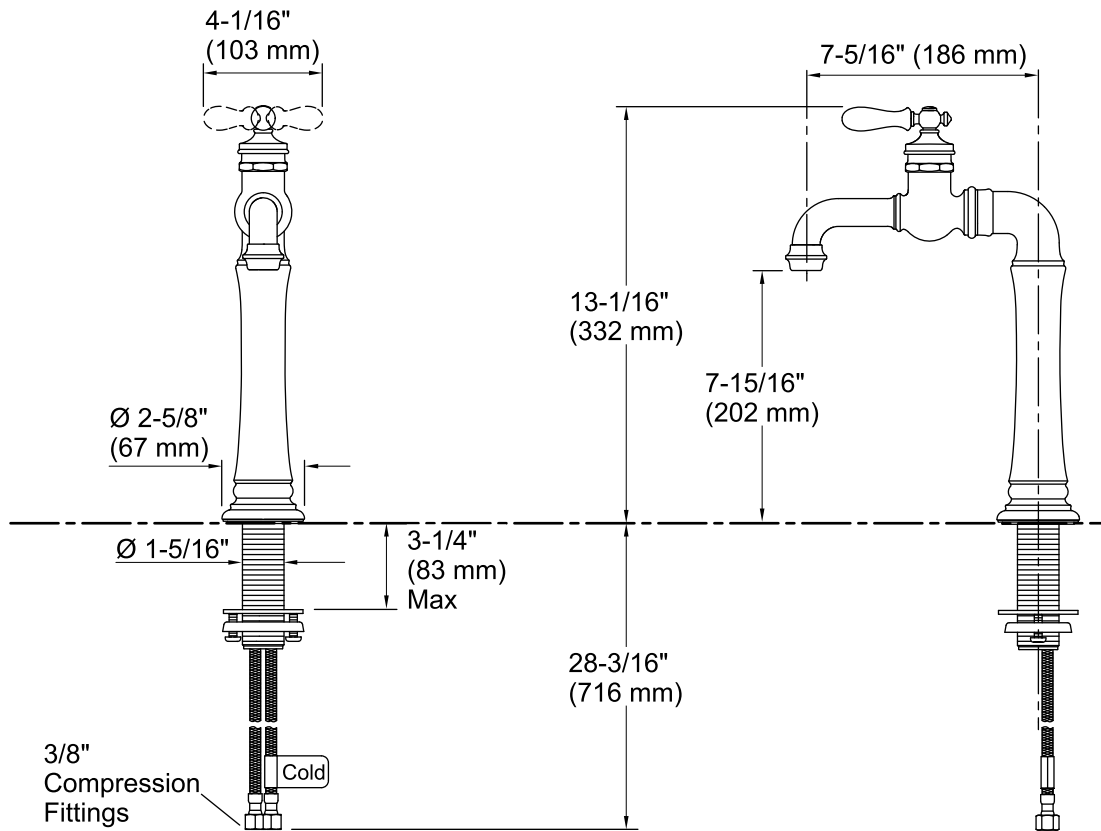
CP Polished Chrome



SN Vibrant® Polished Nickel



BN Vibrant® Brushed Nickel



### Technical Information

All product dimensions are nominal.

Valve body: Machined Brass

Drain with overflow: YES

Drain tailpiece included: YES

included:

### Spout:

Spout reach: 7-5/16" (186 mm)

Handle clearance: 3-7/16" (87 mm)

### Faucet:

Flow rate: 1.2 gal/min (4.5 l/min)

Pressure: 60 psi (4.1 bar)

### Notes

Install this product according to the installation instructions.

For new installations, assemble the faucet to the sink before installing the sink.