

data sheet

72-100-A series

carbon steel high pressure ball valve



features

- forged body design
- reinforced seats
- fire safe (requires -24 suffix)
- zinc phosphate corrosion protection
- adjustable packing gland
- full port
- blowout-proof stem design
- heavy duty lever
- manufactured in the USA - AIS, BABA and BAA compliant (requires -UA suffix)

description

The "Apollo"® 72-100-A model features female NPT thread, 3000 CWP (psig), cold non-shock body rating. 150 psig saturated steam. Vacuum service to 29 inches Hg. MSS SP-110 compliant.

size range

- ½" - 2"

connections

- threaded

configurations

- 72-100 series - standard
- 72-140 series - 316 ss ball & stem

approvals

- MSS SP-110 ball valves
- Buy American Act (BAA)
- Build America Buy America (BABA) Act
- American Iron and Steel Act (AIS)

component	material
body	A105-carbon steel
retainer	A108-carbon steel
ball	ASTM A108, carbon steel, chrome plated or A276-316 stainless steel
seat (2)	RPTFE
stem	A108-carbon steel
gland nut	A108-carbon steel
stem packing	MPTFE
stem bearing	RPTFE
lever and grip	steel, zinc plated with vinyl
retainer seal	RPTFE
lever nut	steel, zinc plated

performance rating

CWP	SWP	temperature	vacuum service
3000 psig	250 psig (maximum)	500°F (maximum temperature)	29 in. Hg



this specification is provided for reference only. we reserve the right to change any portion of this specification without notice and without incurring obligation to make such changes to Aalberts integrated piping systems products previously or subsequently sold.

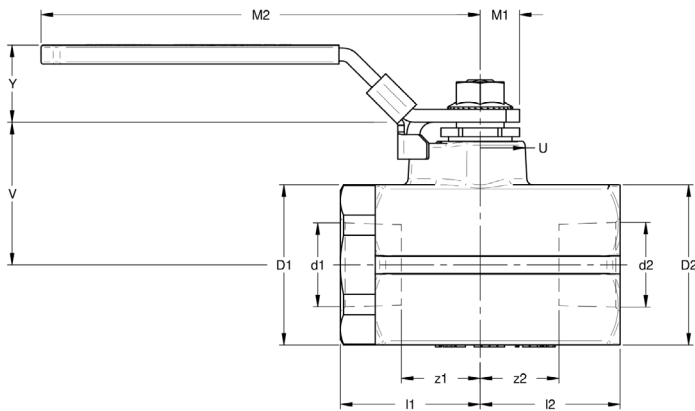
Aalberts integrated piping systems

10715 Sikes Place / suite 200 / Charlotte / NC / 28277

aalberts-ips.us

job name	
job location	
engineer	
contractor	
tag	
PO#	
rep	
wholesaler dist	

data sheet



dimensions

part number	size	bore size	d1	d2	l1	l2	z1	z2	M1	M2	V	Y	weight	Cv
72-103-27A	½"	0.62"	0.84"	0.84"	1.40"	1.38"	0.78"	0.76"	0.37"	5.28"	1.42"	0.92"	1.65 lbs	26
72-104-27A	¾"	0.81"	1.05"	1.05"	1.83"	1.83"	1.02"	1.02"	0.37"	5.28"	1.59"	0.92"	2.87 lbs	48
72-105-27A	1"	1.00"	1.32"	1.32"	1.99"	1.99"	1.12"	1.12"	0.57"	6.26"	2.03"	1.04"	4.68 lbs	65
72-106-27A	1 ¼"	1.25"	1.66"	1.66"	2.20"	2.25"	1.27"	1.32"	0.57"	6.26"	2.26"	1.04"	7.52 lbs	125
72-107-27A	1 ½"	1.50"	1.90"	1.90"	2.59"	2.50"	1.66"	1.57"	0.81"	9.27"	2.45"	1.43"	10.62 lbs	170
72-108-27A	2"	2.00"	2.38"	2.38"	2.91"	2.85"	1.91"	1.85"	1.06"	10.06"	2.95"	1.49"	17.41 lbs	216

options

option	component	size
(-02)	stem grounded	all
(-07)	steel tee handle	1 ½" to 2"
(-08)	90° reversed stem	all
(-10)	ss lever & nut	1 ½" to 2"
(-14)	side vented ball (uni-directional)	all
(-21)	UHMWPE trim (non-PTFE)	all
(-24)	graphite packing, PTFE body seal, RPTFE bearing (API 607, 6th edition, ISO 10497:2010)	all
(-27)	ss latch-lock lever & nut (standard configuration)	all

option	component	size
(-45)	less lever & nut	all
(-49)	no lubrication. assembled dry.	all
(-52)	two tack welds	all
(-53)	three tack welds	all
(-56)	multifill seats & packing	all
(-60)	static grounded ball & stem	all
(-64)	250# steam trim (MPTFE seats & packing)	all
(-65)	multifill seats & graphite packing	all
(-67)	cleaned for industrial gas	all
(-78)	delrin seats, grpahic packing	all
(-79)	nylon seats, graphite packing	all
(-UA)	AIS (American iron & steel) compliant	all

data sheet

pressure/temperature ratings
engineering data

3000 CWP

(CS) ASTM A216-WCB OR ASTM A105 OR ASTM A108

graph 1

