



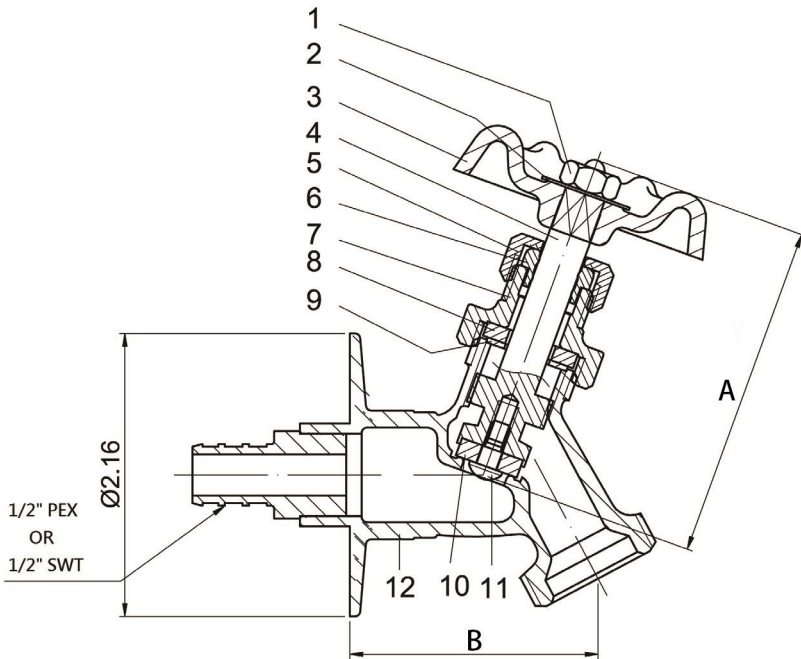
Heavy Pattern Sillcocks

Product Features

- Angled brass body
- 125 psi
- Operating temperature: 40-160°F
- 3/4" Male hose thread outlet



PF74PDC



No.	Part Name	Material	QTY
1	Wheel Nut	STEEL	1
2	Name Plate	ALUMINUM	1
3	Hand Wheel	ZINC	1
4	Stem	BRASS	1
5	Packing Nut	BRASS	1
6	Packing	NBR	1
7	Bonnet	BRASS	1
8	Packing	NBR	1
9	Ring	Stainless Steel	1
10	Bibb Washer	NBR	1
11	Bibb Screw	BRASS	1
12	Valve Body	BRASS	1

SKU	DESCRIPTION	INLET CONNECTION	OUTLET CONNECTION	A (OPEN)		A (CLOSED)		B	
				in	mm	in	mm	in	mm
PF74PDC	*NP 1/2 F1807 PEX SILL	1/2 F1807 PEX	3/4 MALE NH THREADED END	2.8	71	2.6	66	1.9	48
PF74PPDC	*NP 1/2 F1960 PEX SILL	1/2 F1960 PEX	3/4 MALE NH THREADED END	2.8	71	2.6	66	1.9	48
PF74LSDC	*NP 1/2 BRS SWT LG DIA FLG ANG SILL	1/2 SWT	3/4 MALE NH THREADED END	2.8	71	2.6	66	1.9	48

Not for use with potable water

Warranty and Codes

This PROFLO product carries a 1-year limited warranty.

WARNING: This product contains lead or lead compounds known to the State of California to cause cancer and birth defects and other reproductive harm. **Do not use in connection with drinking water. Wash hands after handling.**

