



COMMERCIAL-GRADE

RESIDENTIAL GAS WATER HEATERS

POLARIS™ HIGH EFFICIENCY

CONDENSING DESIGN

- Operates at up to 96% thermal efficiency which saves money on operating costs compared to a standard 80% efficient gas water heater.
- Helical internal heat exchanger keeps hot combustion gases in the tank longer to extract more heat into the water.

STAINLESS STEEL CONSTRUCTION

- Tank and helical heat exchanger are constructed from 444 stainless steel for excellent corrosion resistance without the need for an anode.

WHISPER QUIET OPERATION

- Ultra quiet blower and burner to minimize noise.

POWER DIRECT VENT DESIGN

- Direct vent using PVC, CPVC or Polypropylene (solid core only) through a sidewall or roof.
- Optional concentric vent kit.
- 2" pipe vents up to 52 equivalent feet (100-150k BTU/hr inputs)
- 3" pipe vents up to 130 equivalent feet

ADVANCED ELECTRONIC CONTROL

- Large touchscreen display
- Precise temperature control
- Advanced water heater status and diagnostics

FULLY SERVICEABLE FROM THE FRONT

- Two front access panels expose all serviceable components. Modular components are all easily removed.

ULTRA-LOW NOX MODULATING GAS BURNER

- Enhanced Ultra-low NOx burner complies with SCAQMD Rule 1146.2 and other Air Quality Management Districts with similar requirements for NOx emissions of less than 14 ng/j.
- Modulating burner maintains high efficiency operation at lower input rates.

SIDE-MOUNTED HOT AND COLD RECIRCULATING TAPS

- Polaris can be easily installed with a recirculation system or as part of a combined domestic & space heating system.

AVAILABLE IN NATURAL GAS OR PROPANE

CSA CERTIFIED AND ASME RATED T&P RELIEF VALVE

STANDARDS AND CERTIFICATIONS

- Design-certified by CSA International according to ANSI Z21.10.3 – CSA 4.3 Standards.
- Meets UBC, CEC, and ICC National Codes.
- Meets the thermal efficiency and standby loss requirements of the U. S. Department of Energy and current edition of ASHRAE/IES 90.1.

10-YEAR LIMITED TANK AND 1-YEAR PARTS WARRANTY

- For complete information, consult written warranty or go to statewaterheaters.com.

*When sized appropriately. Model GHX 50 199 N can deliver 6.95 GPM continuous flow, based on 65°F inlet water temperature, 120°F outlet temperature.



SOLID. STATE.

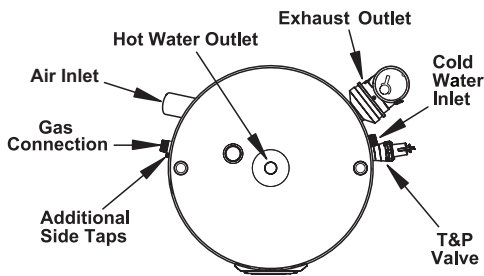


COMMERCIAL-GRADE

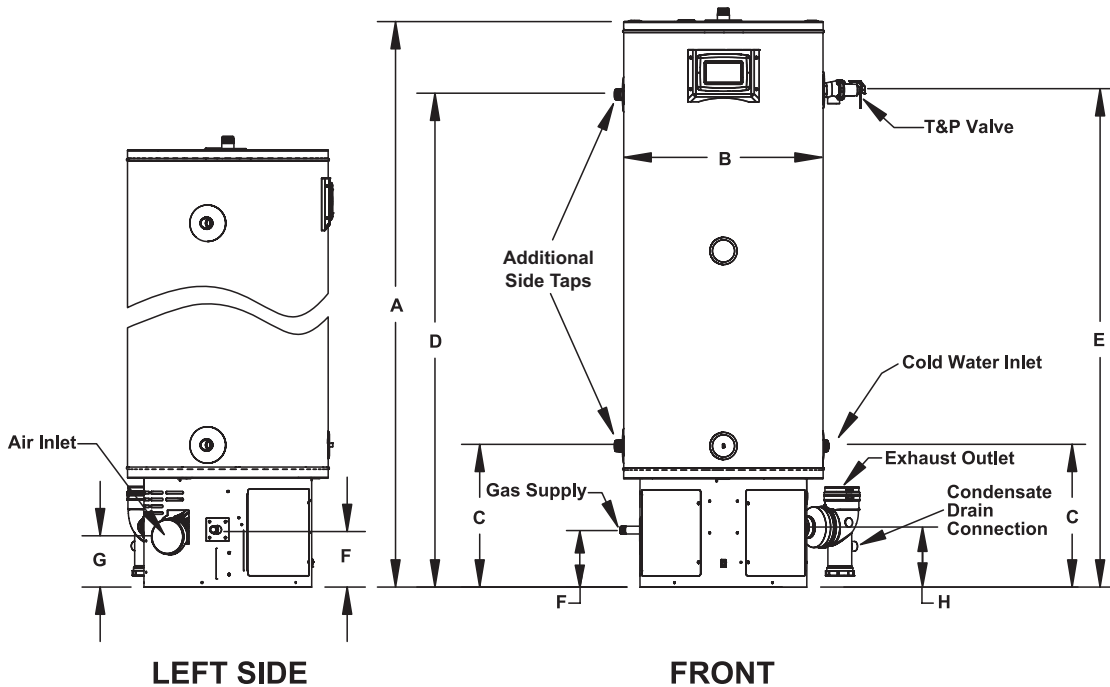
RESIDENTIAL GAS WATER HEATERS

State Model Number	Nominal Capacity	Rated Storage Volume	First Hour Rating (Gallons)	UEF	Thermal Efficiency	Recovery @ 90° Rise Gallon Per Hour	BTU Input Per Hour	Dimensions in Inches		Vent Connection	1" Water Connections		T&P	Gas Supply*	Approx. Shipping Weight (lbs)
								A	B		C	D			
GHX 34 100 N	34	33	170	0.90	96%	129	100,000	48-1/2	22	2 or 3	15-3/4	40-1/2	41	6-3/8	150
GHX 34 130 N	34	N/A	N/A	N/A	96%	165	130,000	48-1/2	22	2 or 3	15-3/4	40-1/2	41	6-3/8	150
GHX 34 150 N	34	N/A	N/A	N/A	94%	190	150,000	48-1/2	22	2 or 3	15-3/4	40-1/2	41	6-3/8	150
GHX 50 130 N	50	N/A	N/A	N/A	95%	165	130,000	62-3/8	22	2 or 3	15-3/4	54-1/2	55	6-3/8	176
GHX 50 150 N	50	N/A	N/A	N/A	95%	190	150,000	63-3/4	22	2 or 3	15-3/4	55-3/4	56-1/4	6-3/8	180
GHX 50 175 N	50	N/A	N/A	N/A	96%	222	175,000	63-3/4	22	3	15-3/4	55-3/4	56-1/4	6-3/8	180
GHX 50 199 N	50	N/A	N/A	N/A	96%	253	199,000	63-3/4	22	3	15-3/4	55-3/4	56-1/4	6-3/8	180

*For propane models change "N" to "P" in the model number (example: GHX 50 199 P)
Models certified for sea level to 7,700 ft. elevation.



Top Outlet: 1" NPT
Side Inlet: 1" NPT
Side Taps: 1" NPT
Condensate Drain Outlet: 1/2" NPT



FOR MORE INFORMATION ON CALL 1-800-365-0024. STATE WATER HEATERS RESERVES THE RIGHT TO MAKE PRODUCT CHANGES OR IMPROVEMENTS WITHOUT PRIOR NOTICE.