
INSTALLATION INSTRUCTIONS AND OWNER'S MANUAL

Side by Side Refrigerator

Do Not Throw Away - Additional important safety information included.
Para las instrucciones en español, visite nuestro sitio de internet.

INSTRUCTIONS D'INSTALLATION ET MANUEL D'UTILISATION

Réfrigérateur côte à côte

Ne pas jeter – Autres consignes de sécurité importantes ci-jointes.

Table of Contents/Table des matières

REFRIGERATOR SAFETY	2	SÉCURITÉ DU RÉFRIGÉRATEUR	18
INSTALLATION INSTRUCTIONS	3	INSTRUCTIONS D'INSTALLATION	19
Unpack the Refrigerator.....	3	Déballage du réfrigérateur	19
Door Removal, Leveling, and Alignment	4	Retrait, réglage de l'aplomb et alignement des portes	20
Handle Installation and Removal	6	Installation et démontage des poignées.....	22
Location Requirements	7	Exigences d'emplacement.....	23
Electrical Requirement	7	Spécifications électriques	23
Water Supply Requirements	7	Spécifications de l'alimentation en eau	23
Connect Water Supply	8	Raccordement de la canalisation d'eau	24
REFRIGERATOR CARE	10	ENTRETIEN DU RÉFRIGÉRATEUR	26
Cleaning	10	Nettoyage	26
Lights.....	11	Lampes.....	27
Vacation and Moving Care.....	11	Entretien avant les vacances ou lors d'un déménagement	27
TROUBLESHOOTING	12	DÉPANNAGE	28
PERFORMANCE DATA SHEET	17	FEUILLE DE DONNÉES SUR LA PERFORMANCE	34

REFRIGERATOR SAFETY

Your safety and the safety of others are very important.

We have provided many important safety messages in this manual and on your appliance. Always read and obey all safety messages.



This is the safety alert symbol.

This symbol alerts you to potential hazards that can kill or hurt you and others.

All safety messages will follow the safety alert symbol and either the word "DANGER" or "WARNING."

These words mean:

⚠ DANGER

You can be killed or seriously injured if you don't immediately follow instructions.

⚠ WARNING

You can be killed or seriously injured if you don't follow instructions.

All safety messages will tell you what the potential hazard is, tell you how to reduce the chance of injury, and tell you what can happen if the instructions are not followed.

IMPORTANT SAFETY INSTRUCTIONS

WARNING: To reduce the risk of fire, electric shock, or injury when using your refrigerator, follow these basic precautions:

- Plug into a grounded 3 prong outlet.
- Do not remove ground prong.
- Do not use an adapter.
- Do not use an extension cord.
- Disconnect power before servicing.
- Replace all parts and panels before operating.
- Remove doors from your old refrigerator.
- Connect to a potable water supply only.
- Use nonflammable cleaner.
- Keep flammable materials and vapors, such as gasoline, away from refrigerator.
- Use two or more people to move and install refrigerator.
- Disconnect power before installing ice maker (on ice maker kit ready models only).
- Use a sturdy glass when dispensing ice (on some models).
- Do not hit the refrigerator glass doors (on some models).
- This appliance is not intended for use by persons (including children) with reduced physical, sensory or mental capabilities, or lack of experience and knowledge, unless they have been given supervision or instruction concerning use of the appliance by a person responsible for their safety.
- Children should be supervised to ensure that they do not play with the appliance.

SAVE THESE INSTRUCTIONS

State of California Proposition 65 Warnings:

WARNING: This product contains one or more chemicals known to the State of California to cause cancer.

WARNING: This product contains one or more chemicals known to the State of California to cause birth defects or other reproductive harm.

Proper Disposal of Your Old Refrigerator

⚠ WARNING

Suffocation Hazard

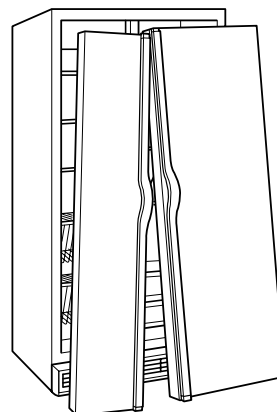
Remove doors from your old refrigerator.

Failure to do so can result in death or brain damage.

IMPORTANT: Child entrapment and suffocation are not problems of the past. Junked or abandoned refrigerators are still dangerous—even if they will sit for “just a few days.” If you are getting rid of your old refrigerator, please follow these instructions to help prevent accidents.

Before You Throw Away Your Old Refrigerator or Freezer:

- Take off the doors.
- Leave the shelves in place so that children may not easily climb inside.



Important information to know about disposal of refrigerants:

Dispose of refrigerator in accordance with Federal and Local regulations. Refrigerants must be evacuated by a licensed, EPA certified refrigerant technician in accordance with established procedures.

INSTALLATION INSTRUCTIONS

Unpack the Refrigerator

⚠ WARNING

Excessive Weight Hazard

Use two or more people to move and install refrigerator.

Failure to do so can result in back or other injury.

When Moving Your Refrigerator:

Your refrigerator is heavy. When moving the refrigerator for cleaning or service, be sure to cover the floor with cardboard or hardboard to avoid floor damage. Always pull the refrigerator straight out when moving it. Do not wiggle or “walk” the refrigerator when trying to move it, as floor damage could occur.

Remove packing materials. Do not use sharp instruments, rubbing alcohol, flammable fluids, or abrasive cleaners to remove tape or glue. These products can damage the surface of your refrigerator. For more information, see “Refrigerator Safety.”

Important information to know about glass shelves and covers:

Do not clean glass shelves or covers with warm water when they are cold. Shelves and covers may break if exposed to sudden temperature changes or impact, such as bumping. Tempered glass is designed to shatter into many small, pebble-size pieces. This is normal. Glass shelves and covers are heavy. Use both hands when removing them to avoid dropping.

Door Removal, Leveling, and Alignment

Gather the required tools and parts and read all instructions before starting installation. Save these instructions for future reference.

NOTE: Before moving your product into your home, measure the doorway of your home to see whether you need to remove the refrigerator and freezer doors. If door removal is necessary, see the instructions below.

IMPORTANT: Before you begin, unplug refrigerator or disconnect power. Remove food, the ice storage bin (on some models), and any adjustable door or utility bins from doors.

TOOLS NEEDED: Bubble level; flat-blade screwdriver; 5/16" and 11/16" wrench; 1/4", 3/8", and 5/16" hex-head socket wrenches, TORX® T30®† screwdriver.



⚠ WARNING

Electrical Shock Hazard

Disconnect power before removing doors.

Failure to do so can result in death or electrical shock.

6 Top Left Hinge

Do not remove A screws

7 Door Removal

8 Top Right Hinge

Do not remove A screws

9 Left and Right Bottom Hinge

Do not remove B screws

5 Wiring

A. Wiring plugs
B. Wiring clip
C. Grommets

4 Water Dispenser Tubing

A. Face of fitting

10 Leveling screws

11 Locking Nut

11/16" wrench
Tighten
Loosen

12 Alignment Screw

5/16" wrench
Raise
Lower

1 Full Refrigerator

3 Base Grille

A. Pull to the right for extraction.
B. Twist and pass underneath door.

2 Water Filter Door and Base Grille

Pull toward you.

†TORX® and T30 are registered trademarks of Acument Intellectual Properties, LLC.

Remove the Doors

If your refrigerator does not fit through the doorway or you are getting rid of your old refrigerator, follow the steps below for door removal.

⚠ WARNING



Electrical Shock Hazard

Disconnect power before removing doors.

Failure to do so can result in death or electrical shock.

1. Unplug refrigerator or disconnect power.
2. Fully open both doors. See graphic 1.
3. If your model has water dispensing, please open the water filter door by pulling it toward you. See graphic 2. It is not necessary to remove the water filter itself.
4. Pull the base grille toward you from the sides and then from the center until it dislodges. See graphic 2.
5. To remove the base grille, twist and pull the right side until this side passes underneath the refrigerator door. See graphic 3. Then pull the left side of the base grille for complete removal.
6. If your model has water dispensing in the door, disconnect the water dispenser tubing located below the freezer door.
 - Press the blue outer ring against the face of fitting and pull the dispenser tubing free. See graphic 4.
NOTE: Keep the water tubing connector attached to the tube that runs underneath the freezer. The door cannot be removed if the connector is still attached to the tube that runs through the door hinge.
7. If your model has water dispensing in the door, disconnect the wiring located below the freezer door. See graphic 5.
 - Remove the wiring clip and the bracket wire using a 1/4" hexagonal head socket wrench.
 - Disconnect the wiring plugs from the bracket wire.
8. Close the freezer door and use a TORX® T30® screwdriver to remove the top hinge completely. See graphic 6.
IMPORTANT: Do not remove either screw A. Hold the door while hinge is being removed.
9. Lift the freezer door straight up off from the bottom hinge. See graphic 7. The water dispenser tubing and wiring will remain attached to the freezer door.
NOTE: This may require two people, one to lift the door and another to feed the water tubing and wiring into the bottom hinge pin.
IMPORTANT: Rest the door on its side on a soft, clean surface, such as a towel, blanket, or piece of cardboard. This will help to avoid scratching or damaging the door, water tubing, and wiring.
10. Close the refrigerator door and use a TORX® T30® screwdriver to remove completely top hinge. See graphic 8.
IMPORTANT: Do not remove either screw A. Hold the door while hinge is being removed.
11. Lift the refrigerator door straight up off from the bottom hinge. See graphic 7.
IMPORTANT: Rest the door on its side on a soft, clean surface, such as a towel, blanket, or piece of cardboard. This will help to avoid scratching or damaging the door.

12. If your refrigerator without doors does not pass through the doorway, you may remove both bottom hinges. Use a 5/16" nut driver to remove these. See graphic 9.

IMPORTANT: Do not remove either screw B.

Replacing or Reinstalling Door and Hinges

If your doors and bottom hinges have been removed, please follow the next instructions for reinstallation:

1. Reinstall both bottom hinges using a 5/16" nut driver to tighten screws. See graphic 9.
2. If your model has water dispensing in the door:
 - Lift the freezer door enough to feed the water dispenser tubing and wiring through the bottom hinge pin.
NOTE: This may require two people, one to lift the door and the other to feed the water tubing and wiring into the bottom hinge pin. See graphic 7.
 - Insert the freezer door into the bottom hinge pin.
IMPORTANT: Hold the door while hinge is being installed
3. Close the freezer door to align and reinstall the top hinge. Use a TORX® T30® screwdriver to tighten the screws. See graphic 8.
IMPORTANT: Provide additional support for the door while top hinge is being reinstalled. Do not depend on the door magnets to assure the door to the cabinet.
4. If your model has water dispensing in the door, connect the water dispenser tubing. For the connection, push the tubing into the dispenser tubing until black mark touches the face of fitting. See graphic 4.
5. Connect the wiring. See graphic 5.
6. Reinstall the wiring clip & the bracket wire using a 1/4" hexagonal head socket wrench.
7. Connect the wiring plugs from the bracket wire.
8. Lift the refrigerator door enough to insert the door into the bottom hinge pin. See graphic 7.
IMPORTANT: Hold the door while hinge is being installed.
9. Close the refrigerator door to align and reinstall the top hinge. Use a TORX® T30® screwdriver to tighten the screws. See graphic 6.
IMPORTANT: Provide additional support for the door while top hinge is being reinstalled. Do not depend on the door magnets to assure the door to the cabinet.

Leveling and Door Closing

Your refrigerator has two front adjustable wheels. See graphic 1.

These are used to level the refrigerator under uneven floor conditions or want the doors to close more easily. Please follow the instructions below:

1. Place the refrigerator into its final location in the kitchen and open both doors.
2. Fully open both doors. See graphic 1.
3. If your model has water dispensing in the door, please open the water filter door by pulling it toward you. See graphic 2. It is not necessary to remove the water filter itself.
4. Pull the base grille toward you from the sides and then from the center until it dislodges. See graphic 2.
5. To remove the base grille, twist and pull the right side until this side passes underneath the refrigerator door. See graphic 3. Then pull the left side of the base grille for complete removal.
6. Use a 3/8" nut driver to turn the leveling screws located in both sides of the refrigerator. See graphic 10. Depending on uneven floor conditions, you must turn one or both screws to the right or left several times to raise or lower the refrigerator. Until the refrigerator is steady, use a bubble level if necessary.

- Close both doors and check that they close as easily as you like. If not, turn both screws to the right to raise the refrigerator by tilting it more to the back until the doors close as easily as you like.
- Check and make sure to the technician sheet is placed in the base grille cavity before assembling this into the cabinet.
- Reinstall the base grille into the cabinet, introducing the left side first and then the right side of the base grille. See graphic 3. You may accommodate the water dispenser tubing and wiring into base grille cavity below the left bottom hinge.
- Attach the base grille pushing into the cabinet clips. See graphic 2.

Door Alignment

The refrigerator doors are designed to be slightly misaligned vertically when the refrigerator is empty. Please follow the next steps to align the refrigerator doors.

- Use an 11/16" open-ended wrench tool to loosen the locking nut located below the refrigerator door. See graphic 11. Accommodate the wrench tool so that it fits in the space.
- Use a 5/16" open-ended wrench tool to turn the alignment screw. See picture 12. Depending on how the refrigerator door is misaligned in relation to the freezer door, you must turn the screw to the right to raise or to the left to lower the refrigerator door until both doors have been aligned vertically.
- Tighten the 11/16" locking nut with the wrench tool.
- Attach the base grille if it was dislodged.

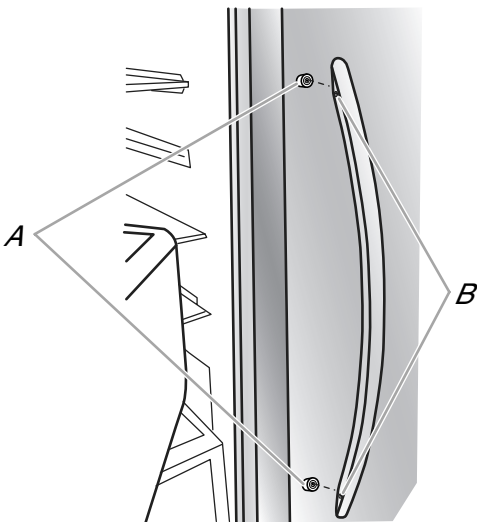
Handle Installation and Removal

PARTS INCLUDED: Door handles (2), 1/8" hex key, spare setscrew(s)

To Install the Handles:

NOTE: The handle mounting setscrews are preinstalled in the handle.

- Remove the handles, which are packed inside the refrigerator.
NOTE: To avoid scratching the finish, place the handles on a towel or other soft surface.
- Open the freezer door. On the refrigerator door, place the handle on the shoulder screws with the setscrews facing the freezer.

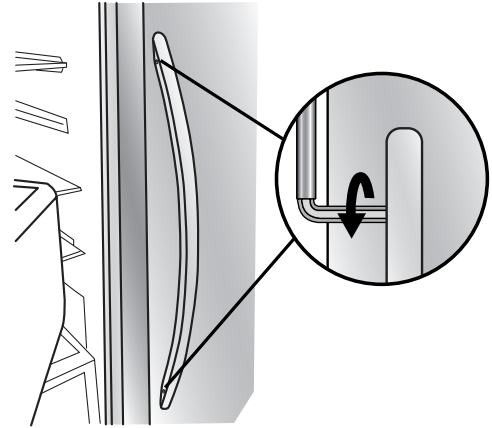


A. Shoulder screws
B. Setscrews inside the handle

- Firmly push the handle toward the door until the handle base is flush against the door.

6

- While holding the handle, insert the short end of the hex key into the upper hole and slightly rotate the hex key until it is engaged in the setscrew.



- Using a clockwise motion, tighten the setscrew until it begins to contact the shoulder screw.
- Repeat steps 4 and 5 to begin fastening the lower setscrew.
- Once both setscrews have been partially tightened as outlined in the previous steps, fully tighten both the upper and lower setscrews.
IMPORTANT: When the screws feel tight, tighten them an additional quarter-turn. The handle is not properly installed without this extra tightening.
- Open the refrigerator door and close the freezer door. Repeat steps 2 through 7 to install the other handle onto the freezer door with the setscrews facing the refrigerator.
- Save the hex key and all instructions.

To Remove the Handles:

- While holding the handle, insert the short end of the hex key into the lower setscrew hole and slightly rotate the hex key until it is engaged in the setscrew.
- Using a counterclockwise motion, loosen the setscrew a quarter-turn at a time.
- Repeat steps 1 and 2 for the upper setscrew. Gently pull the handle away from the door.
- If necessary, use a Phillips screwdriver to remove the shoulder screws from the door.

Location Requirements

⚠ WARNING



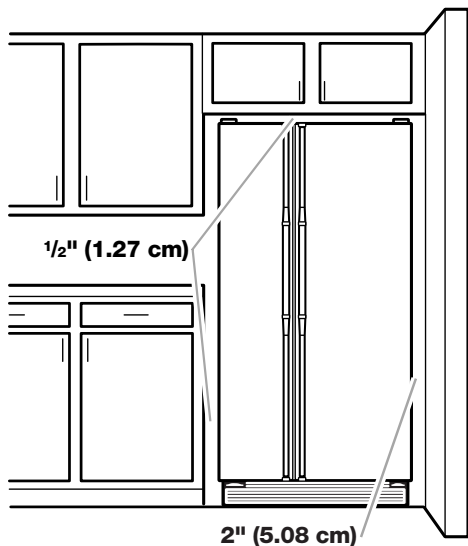
Explosion Hazard

Keep flammable materials and vapors, such as gasoline, away from refrigerator.

Failure to do so can result in death, explosion, or fire.

IMPORTANT: This refrigerator is designed for indoor household use only.

To ensure proper ventilation for your refrigerator, allow for 1/2" (1.27 cm) of space on each side and at the top. Allow for 2" (5.08 cm) of space behind the refrigerator. If your refrigerator has an ice maker, allow extra space at the back for the water line connections. When installing your refrigerator next to a fixed wall, leave a 2" (5.08 cm) minimum space on each side (depending on your model) to allow the doors to swing open.



NOTES:

- This refrigerator is intended for use in a location where the temperature ranges from a minimum of 55°F (13°C) to a maximum of 110°F (43°C). The preferred room temperature range for optimum performance, which reduces electricity usage and provides superior cooling, is between 60°F (15°C) and 90°F (32°C). It is recommended that you do not install the refrigerator near a heat source, such as an oven or radiator.
- Normal minimum cabinet cut-out width required for product installation is 36" (91.44 cm). However, if the product is placed against an extended wall and the ability to remove the crisper pans is desired, an additional 18" (45.72 cm) of cabinet width is required, so a total cabinet opening width of 54" (137.16 cm) is recommended.

Electrical Requirement

⚠ WARNING

Electrical Shock Hazard

Plug into a grounded 3 prong outlet.

Do not remove ground prong.

Do not use an adapter.

Do not use an extension cord.

Failure to follow these instructions can result in death, fire, or electrical shock.

Before you move your refrigerator into its final location, it is important to make sure you have the proper electrical connection.

Recommended Grounding Method

A 115-volt, 60 Hz, AC-only, 15- or 20-amp fused, grounded electrical supply is required. It is recommended that a separate circuit serving only your refrigerator be provided. Use an outlet that cannot be turned off by a switch. Do not use an extension cord.

NOTE: Before performing any type of installation or cleaning, or removing a light bulb, disconnect the refrigerator from the electrical source. When you are finished, reconnect the refrigerator to the electrical source and reset the control (Thermostat, Refrigerator or Freezer Control depending on the model) to the desired setting. See the "Using the Controls" section in the User Instructions, User Guide, or Use and Care Guide.

Water Supply Requirements

Gather the required tools and parts before starting installation. Read and follow the instructions provided with any tools listed here.

TOOLS NEEDED:

- Flat-blade screwdriver
- 7/16" and 1/2" open-end or two adjustable wrenches
- 1/4" nut driver
- 1/4" drill bit
- Cordless drill

NOTE: Your refrigerator dealer has a kit available with a 1/4" (6.35 mm) saddle-type shut-off valve, a union, and copper tubing. Before purchasing, make sure a saddle-type valve complies with your local plumbing codes. Do not use a piercing-type or 3/16" (4.76 mm) saddle valve which reduces water flow and clogs more easily.

IMPORTANT:

- All installations must meet local plumbing code requirements.
- Use copper tubing and check for leaks. Install copper tubing only in areas where the household temperatures will remain above freezing.

Water Pressure

A cold water supply with water pressure of between 30 and 120 psi (207 and 827 kPa) is required to operate the water dispenser and ice maker. If you have questions about your water pressure, call a licensed, qualified plumber.

- If your refrigerator has a water dispenser: After installation is complete, use the water dispenser to check the water pressure.
 - With the water filter removed, dispense 1 cup (237 mL) of water. If 1 cup of water is dispensed in 8 seconds or less, the water pressure to the refrigerator meets the minimum requirement.
 - If it takes longer than 8 seconds to dispense 1 cup of water, the water pressure to the refrigerator is lower than recommended. See "Troubleshooting" for suggestions.

Reverse Osmosis Water Supply

IMPORTANT: The pressure of the water supply coming out of a reverse osmosis system going to the water inlet valve of the refrigerator needs to be between 30 and 120 psi (207 and 827 kPa).

If a reverse osmosis water filtration system is connected to your cold water supply, the water pressure to the reverse osmosis system needs to be a minimum of 40 to 60 psi (276 to 414 kPa). If the water pressure to the reverse osmosis system is less than 40 to 60 psi (276 to 414 kPa):

- Check to see whether the sediment filter in the reverse osmosis system is blocked. Replace the filter if necessary.
- Allow the storage tank on the reverse osmosis system to refill after heavy usage.
- If your refrigerator has a water filter, it may further reduce the water pressure when used in conjunction with a reverse osmosis system. Remove the water filter. See “Water Filtration System” in the User Instructions, User Guide, or Use and Care Guide.

If you have questions about your water pressure, call a licensed, qualified plumber.

Connect Water Supply

Read all directions before you begin.

IMPORTANT:

- Plumbing shall be installed in accordance with the International Plumbing Code and any local codes and ordinances.
- The gray water tubing on the back of the refrigerator (which is used to connect to the household water line) is a PEX (cross-linked polyethylene) tube. Copper and PEX tubing connections from the household water line to the refrigerator are acceptable, and will help avoid off-taste or odor in your ice or water. Check for leaks.
If PEX tubing is used instead of copper, we recommend the following Whirlpool Part Numbers:
W10505928RP (7 ft [2.14 m] jacketed PEX),
8212547RP (5 ft [1.52 m] PEX), or
W10267701RP (25 ft [7.62 m] PEX).
- Install tubing only in areas where temperatures will remain above freezing.

TOOLS NEEDED:

Gather the required tools and parts before starting installation.

- Flat-blade screwdriver
- 7/16" and 1/2" open-end wrenches or two adjustable wrenches
- 1/4" nut driver

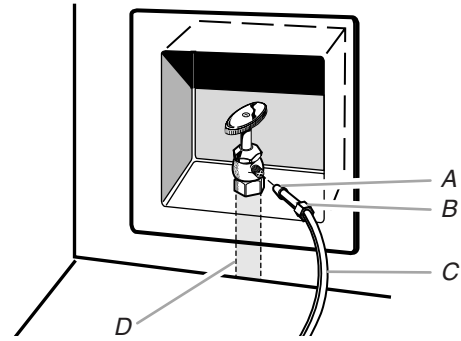
Connect to Water Line

IMPORTANT: If you turn the refrigerator on before the water line is connected, turn the ice maker off.

Style 1 (Recommended)

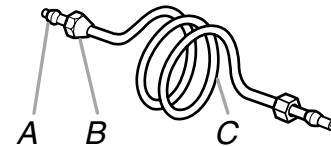
1. Unplug refrigerator or disconnect power.
2. Turn off main water supply. Turn on nearest faucet long enough to clear line of water.
3. Use a quarter-turn shut-off valve or the equivalent, served by a 1/2" copper household supply line.

NOTE: To allow sufficient water flow to the refrigerator, a minimum 1/2" size copper household supply line is recommended.



- A. Bulb
B. Nut
C. Copper tubing (to refrigerator)
D. Household supply line (1/2" minimum)

4. Now you are ready to connect the copper tubing to the shut-off valve. Use 1/4" (6.35 mm) OD soft copper tubing to connect the shut-off valve and the refrigerator.
 - Ensure that you have the proper length needed for the job. Be sure both ends of the copper tubing are cut square.
 - Slip compression sleeve and compression nut onto copper tubing as shown. Insert end of tubing into outlet end squarely as far as it will go. Screw compression nut onto outlet end with adjustable wrench. Do not overtighten.



- A. Compression sleeve
B. Compression nut
C. Copper tubing

5. Place the free end of the tubing into a container or sink, and turn on main water supply to flush out tubing until water is clear. Turn off shut-off valve on the water pipe.
NOTE: Always drain the water line before making the final connection to the inlet of the water valve to avoid possible water valve malfunction.
6. Bend the copper tubing to meet the water line inlet, which is located on the back of the refrigerator cabinet as shown. Leave a coil of copper tubing to allow the refrigerator to be pulled out of the cabinet or away from the wall for service.

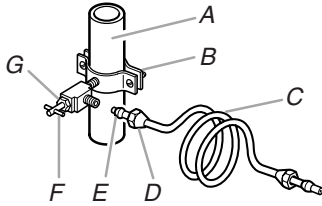
Style 2

1. Unplug refrigerator or disconnect power.
2. Turn off main water supply. Turn on nearest faucet long enough to clear line of water.
3. Locate a 1/2" (1.27 cm) to 1 1/4" (3.18 cm) vertical cold water pipe near the refrigerator.

IMPORTANT:

- Make sure it is a cold water pipe.
- Horizontal pipe will work, but drill on the top side of the pipe, not the bottom. This will help keep water away from the drill and normal sediment from collecting in the valve.

- Determine the length of copper tubing you need. Measure from the connection on the lower rear corner of refrigerator to the water pipe. Add 7 ft (2.1 m) to allow for cleaning. Use 1/4" (6.35 mm) O.D. (outside diameter) copper tubing. Be sure both ends of copper tubing are cut square.
- Using a cordless drill, drill a 1/4" (6.35 mm) hole in the cold water pipe you have selected.



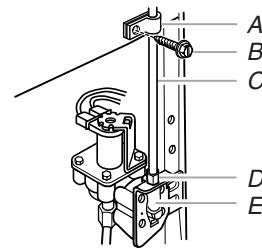
- | | |
|--------------------|-----------------------|
| A. Cold water pipe | E. Compression sleeve |
| B. Pipe clamp | F. Shut-off valve |
| C. Copper tubing | G. Packing nut |
| D. Compression nut | |

- Fasten the shut-off valve to the cold water pipe with the pipe clamp. Be sure the outlet end is solidly in the 1/4" (6.35 mm) drilled hole in the water pipe and that the washer is under the pipe clamp. Tighten the packing nut. Tighten the pipe clamp screws slowly and evenly so the washer makes a watertight seal. Do not overtighten, or you may crush the copper tubing.
- Slip the compression sleeve and compression nut on the copper tubing as shown. Insert the end of the tubing into the outlet end squarely as far as it will go. Screw the compression nut onto outlet end with adjustable wrench. Do not overtighten.
- Place the free end of the tubing in a container or sink, and turn on the main water supply. Flush the tubing until water is clear. Turn off the shut-off valve on the water pipe. Coil the copper tubing.

- Install the water supply tube clamp around the water supply line to reduce strain on the coupling.
- Turn shut-off valve on.
- Check for leaks. Tighten any connections (including connections at the valve) or nuts that leak.

Style 2

- Unplug refrigerator or disconnect power.
- Remove and discard the plastic part that is attached to the inlet of the water valve.
- Attach the copper tube to the valve inlet using a compression nut and sleeve as shown. Tighten the compression nut. Do not overtighten.
- Use the tube clamp on the back of the refrigerator to secure the tubing to the refrigerator as shown. This will help avoid damage to the tubing when the refrigerator is pushed back against the wall.
- Turn shut-off valve on.
- Check for leaks. Tighten any connections (including connections at the valve) or nuts that leak.



- | | |
|---------------------|--------------------|
| A. Tube clamp | D. Compression nut |
| B. Tube clamp screw | E. Valve inlet |
| C. Copper tubing | |

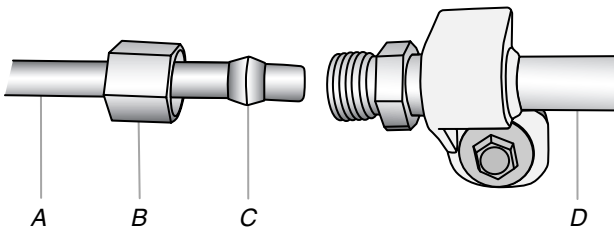
- On some models, the ice maker is equipped with a built-in water strainer. If your water conditions require a second water strainer, install it in the 1/4" (6.35 mm) water line at either tube connection. Obtain a water strainer from your nearest appliance dealer.

Connect to Refrigerator

Style 1

- Unplug refrigerator or disconnect power.
- Remove and discard the short, black plastic part from the end of the water line inlet.
- Thread the nut onto the end of the tubing. Tighten the nut by hand. Then tighten it with a wrench two more turns. Do not overtighten.

NOTE: To avoid rattling, be sure the copper tubing does not touch the cabinet's side wall or other parts inside the cabinet.

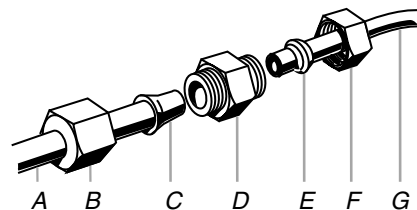


- | | |
|-------------------------|------------------------------|
| A. Household water line | C. Ferrule (purchased) |
| B. Nut (purchased) | D. Refrigerator water tubing |

Style 3

- Unplug refrigerator or disconnect power.
- Remove and discard the black nylon plug from the gray water tube on the rear of the refrigerator.
- If the gray water tube supplied with the refrigerator is not long enough, a 1/4" x 1/4" (6.35 mm x 6.35 mm) coupling is needed in order to connect the water tubing to an existing household water line. Thread the provided nut onto the coupling on the end of the copper tubing.

NOTE: Tighten the nut by hand. Then tighten it with a wrench two more turns. Do not overtighten.



- | | |
|------------------------------|-------------------------|
| A. Refrigerator water tubing | E. Ferrule (purchased) |
| B. Nut (provided) | F. Nut (purchased) |
| C. Bulb | G. Household water line |
| D. Coupling (purchased) | |

4. Turn shut-off valve on.
5. Check for leaks. Tighten any nuts or connections (including connections at the valve) that leak.

Complete the Installation

⚠ WARNING



Electrical Shock Hazard

- Plug into a grounded 3 prong outlet.**
- Do not remove ground prong.**
- Do not use an adapter.**
- Do not use an extension cord.**
- Failure to follow these instructions can result in death, fire, or electrical shock.**

1. Plug into a grounded 3 prong outlet.
2. Flush the water system. See “Water and Ice Dispensers” in the User Instructions or User Guide.

NOTE: Allow 24 hours to produce the first batch of ice. Allow 72 hours to completely fill ice container.

REFRIGERATOR CARE

Cleaning

⚠ WARNING



Explosion Hazard

- Use nonflammable cleaner.**
- Failure to do so can result in death, explosion, or fire.**

Both the refrigerator and freezer sections defrost automatically. However, clean both sections about once a month to avoid buildup of odors. Wipe up spills immediately.

IMPORTANT: Because air circulates between both sections, any odors formed in one section will transfer to the other. You must thoroughly clean both sections to eliminate odors. To avoid odor transfer and drying out of food, wrap or cover foods tightly.

To Clean Your Refrigerator:

NOTE: Do not use abrasive or harsh cleaners such as window sprays, scouring cleansers, flammable fluids, cleaning waxes, concentrated detergents, bleaches or cleansers containing petroleum products on plastic parts, interior and door liners or gaskets. Do not use paper towels, scouring pads, or other harsh cleaning tools.

1. Unplug refrigerator or disconnect power.
2. Hand wash, rinse, and dry removable parts and interior surfaces thoroughly. Use a clean sponge or soft cloth and a mild detergent in warm water.
3. Wash stainless steel and painted metal exteriors with a clean sponge or soft cloth and a mild detergent in warm water.
4. There is no need for routine condenser cleaning in normal home operating environments. If the environment is particularly greasy or dusty, or there is significant pet traffic in the home, the condenser should be cleaned every 2 to 3 months to ensure maximum efficiency.

If you need to clean the condenser:

- Remove the base grille. See the “Door Removal” instructions, either in the User Instructions or the Installation Instructions and Owner’s Manual, or in the separate instruction sheet provided with your refrigerator.
 - Use a vacuum cleaner with a soft brush to clean the grille, the open areas behind the grille and the front surface area of the condenser.
 - Replace the base grille when finished.
5. Plug in refrigerator or reconnect power.

Lights

NOTE: Not all bulbs will fit your refrigerator. Be sure to replace the bulb with one of the same size, shape and wattage.

- The dispenser lights are LEDs that cannot be changed.
 - On some models, the interior lights are LEDs that cannot be changed.
 - On some models, the interior lights require a 40-watt bulb.
1. Unplug refrigerator or disconnect power.
 2. Remove light shield when applicable.
- NOTE:** To clean the light shield, wash it with warm water and liquid detergent. Rinse and dry the shield well.
3. Remove light bulb and replace with one of the same size, shape and wattage.
 4. Replace light shield when applicable.
 5. Plug in refrigerator or reconnect power.

Vacation and Moving Care

Vacations

If You Choose to Leave Refrigerator On While You Are Away:

1. Use up any perishables and freeze other items.
2. If your refrigerator has an automatic ice maker and is connected to the household water supply, turn off the water supply to the refrigerator. Property damage can occur if the water supply is not turned off.
3. If you have an automatic ice maker, turn off the ice maker.
NOTE: Depending on your model, raise the wire shut-off arm to OFF (up) position or press the switch to OFF (right).
4. Empty the ice bin.

If You Choose to Turn Refrigerator Off Before You Leave:

1. Remove all food from the refrigerator.
2. If your refrigerator has an automatic ice maker:
 - Turn off the water supply to the ice maker at least one day ahead of time.
 - When the last load of ice drops, raise the wire shut-off arm to the OFF (up) position or move the switch to the OFF (right) setting.
3. Unplug refrigerator.
4. Clean, wipe, and dry thoroughly.
5. Tape rubber or wood blocks to the tops of both doors to prop them open far enough for air to get in. This stops odor and mold from building up.

Moving

When you are moving your refrigerator to a new home, follow these steps to prepare it for the move.


1. If your refrigerator has an automatic ice maker:
 - Turn off the water supply to the ice maker at least one day ahead of time.
 - Disconnect the water line from the back of the refrigerator.
 - When the last load of ice drops, raise the wire shut-off arm to the OFF (up) position or move the switch to the OFF (right) setting.
2. Remove all food from the refrigerator and pack all frozen food in dry ice.
3. Empty the ice bin.
4. Unplug refrigerator.
5. Clean, wipe, and dry thoroughly.
6. Take out all removable parts, wrap them well, and tape them together so they don't shift and rattle during the move.
7. Depending on the model, raise the front of the refrigerator so it rolls more easily or screw in the leveling legs so they don't scrape the floor. See "Adjust the Doors" or "Door Removal, Leveling and Alignment."
8. Tape the doors closed and tape the power cord to the back of the refrigerator.

When you get to your new home, put everything back and refer to the Installation Instructions for preparation instructions. Also, if your refrigerator has an automatic ice maker, remember to reconnect the water supply to the refrigerator.

TROUBLESHOOTING

First try the solutions suggested here or visit our website to possibly avoid the cost of a service call.

⚠ WARNING



Electrical Shock Hazard
Plug into a grounded 3 prong outlet.
Do not remove ground prong.
Do not use an adapter.
Do not use an extension cord.
Failure to follow these instructions can result in death, fire, or electrical shock.

GENERAL OPERATION

Possible Causes and/or Recommended Solutions

Refrigerator will not operate

- **Not connected to an electrical supply** - Plug the power cord into a grounded 3 prong outlet. Do not use an extension cord.
 - **No power to the electrical outlet** - Plug in a lamp to see if the outlet is working.
 - **Household fuse has blown or circuit breaker has tripped** - Replace the fuse or reset the circuit breaker. If the problem continues, contact a licensed electrician.
 - **New installation** - Following installation, allow 24 hours for the refrigerator and freezer to cool completely.
- NOTE:** Adjusting the temperature control(s) to the coldest setting will not cool either compartment (refrigerator or freezer) more quickly.

Motor seems to run too much

- **Your new refrigerator has an energy-efficient motor** - The refrigerator may run longer than you're used to, because the compressor and fans operate at lower speeds that are more energy-efficient. This is normal.
- NOTE:** Your refrigerator may run even longer if the room is warm, a large load of food is added, the doors are opened often, or if a door has been left open.

Refrigerator seems noisy

The compressor in your new refrigerator regulates temperature more efficiently and uses less energy than older models. During various stages of operation, you may hear normal operating sounds that are unfamiliar.

The following noises are normal:

- **Buzzing/Clicking** - Heard when the water valve opens and closes to dispense water or fill the ice maker. If the refrigerator is connected to a water line, this is normal. If the refrigerator is not connected to a water line, turn off the ice maker.
 - **Cracking/Crashing** - Heard when ice is ejected from the ice maker mold.
 - **Popping** - Heard when the inside walls contract/expand, especially during initial cool down.
 - **Pulsating/Whirring** - Heard when the fans/compressor adjust to optimize performance during normal operation.
 - **Rattling** - Heard when water passes through the water line, or due to the flow of refrigerant. Rattling may also come from items placed on top of the refrigerator.
 - **Water running or gurgling** - Heard when ice melts during the defrost cycle and water runs into the drain pan.
 - **Sizzling** - Heard when water drips onto the heater during the defrost cycle.
-

GENERAL OPERATION	Possible Causes and/or Recommended Solutions
Temperature is too warm	<ul style="list-style-type: none"> ■ New installation - Following installation, allow 24 hours for the refrigerator and freezer to cool completely. NOTE: Adjusting the temperature control(s) to the coldest setting will not cool either compartment (refrigerator or freezer) more quickly. ■ Doors are opened often or not closed completely - This allows warm air to enter the refrigerator. Minimize door openings, keep the doors fully closed, and make sure both doors are properly sealed. ■ Air vents are blocked - Remove items that are immediately in front of the vents. ■ Large amount of warm food recently added - Allow several hours for the refrigerator to return to its normal temperature. ■ Controls are not set correctly for the surrounding conditions - Adjust the controls to a colder setting. Check the temperature again in 24 hours.
Temperature is too cold	<ul style="list-style-type: none"> ■ Controls are not set correctly for the surrounding conditions - Adjust the controls to a warmer setting. Check the temperature again in 24 hours. ■ Top refrigerator shelf is colder than lower shelves - On some models, air from the freezer enters the refrigerator compartment through vents near the top refrigerator shelf. As a result, the top shelf can be slightly colder than lower shelves. ■ Air vents are blocked - Remove items that are immediately in front of the vents.
Interior moisture buildup	<p>NOTE: Some moisture buildup is normal. Clean with a soft dry cloth.</p> <ul style="list-style-type: none"> ■ Room is humid - A humid environment contributes to moisture buildup. Use the refrigerator only in an indoor location, with as little humidity as possible. ■ Doors are opened often or not closed completely - This allows humid air to enter the refrigerator. Minimize door openings, keep the doors fully closed, and make sure both doors are properly sealed.
Interior lights do not work	<ul style="list-style-type: none"> ■ Doors have been open for an extended period of time - Close the doors to reset the lights. ■ Light bulb is loose in the socket or has burned out - On models with incandescent interior light bulbs, tighten or replace the bulb. See the “Lights” section. <p>NOTE: On models with LED lights, call for assistance or service if the interior lights do not illuminate when either door is opened. See the Warranty in the User Instructions or User Guide for contact information.</p>
Dispenser lights do not work (on some models)	<ul style="list-style-type: none"> ■ Dispenser light is turned off - On some models, if the dispenser light is set to OFF, the light will turn on only when a dispenser pad/lever is pressed. If you want the dispenser light to stay on continuously, select a different setting. See “Water and Ice Dispensers” in the User Instructions or User Guide. ■ Dispenser light is set to AUTO or NIGHT LIGHT - On some models, if the dispenser light is set to AUTO or NIGHT LIGHT, make sure the dispenser light sensor is not blocked. See “Water and Ice Dispensers” in the User Instructions or User Guide. <p>NOTE: On models with LED lights, call for assistance or service if the dispenser lights do not operate correctly. See the Warranty in the User Instructions or User Guide for contact information.</p>


⚠ WARNING



Explosion Hazard
Use nonflammable cleaner.
Failure to do so can result in death, explosion, or fire.

DOORS AND LEVELING	Possible Causes and/or Recommended Solutions
Doors are difficult to open	<ul style="list-style-type: none"> ■ Gaskets are dirty or sticky - Clean the gaskets and contact surfaces with mild soap and warm water. Rinse and dry with a soft cloth.
Doors will not close completely	<ul style="list-style-type: none"> ■ Door is blocked open - Move food packages away from the door. Make sure all bins and shelves are in their correct positions. Make sure all packaging materials have been removed.
Doors appear to be uneven	<ul style="list-style-type: none"> ■ Doors need to be aligned, or refrigerator needs to be leveled - See the leveling and door alignment instructions.
Refrigerator rocks and is not stable	<ul style="list-style-type: none"> ■ Refrigerator is not level - To stabilize the refrigerator, remove the base grille and lower the leveling feet until they touch the floor. See the leveling and door alignment instructions.

⚠ WARNING



Cut Hazard
Use a sturdy glass when dispensing ice.
Failure to do so can result in cuts.

ICE AND WATER	Possible Causes and/or Recommended Solutions
Ice maker is not producing ice, not producing enough ice, or producing small/hollow ice	<ul style="list-style-type: none"> ■ Refrigerator is not connected to a water supply, or the water supply shut-off valve is not fully turned on - Connect the refrigerator to a water supply and make sure the water shut-off valve is fully open. ■ Kink in the water source line - A kink in the water line can reduce water flow, resulting in decreased ice production, small ice cubes, and/or hollow or irregularly-shaped ice. Straighten the water line. ■ Ice maker is not turned on - Turn on the ice maker. See “Ice Maker and Storage Bin” in the User Instructions or User Guide. ■ New installation - After connecting the refrigerator to a water source, flush the water system. (See “Water and Ice Dispensers” in the User Instructions or User Guide.) Wait 24 hours for ice production to begin. Wait 72 hours for full ice production. Discard the first three batches of ice produced. ■ Large amount of ice was recently removed - Allow sufficient time for the ice maker to produce more ice. ■ Ice is jammed in the ice maker ejector arm - Remove ice from the ejector arm using a plastic utensil. ■ Inadequate water pressure - Verify that the household has adequate water pressure. See the “Water Supply Requirements” section. ■ Water filter is installed incorrectly - Make sure the filter is properly installed. See “Water Filtration System” in the User Instructions or User Guide. ■ A reverse osmosis water filtration system is connected to your cold water supply - This can decrease water pressure. See the “Water Supply Requirements” section. <p>NOTE: If questions remain regarding water pressure, contact a licensed, qualified plumber.</p>

ICE AND WATER**Possible Causes and/or Recommended Solutions**

Ice dispenser will not operate properly

- **Doors not closed completely** - Make sure both doors are firmly closed. (On some models, only the freezer door must be closed in order to operate the dispenser.)
- **New installation** - After connecting the refrigerator to a water source, flush the water system. (See “Water and Ice Dispensers” in the User Instructions or User Guide.) Wait 24 hours for ice production to begin. Wait 72 hours for full ice production. Discard the first three batches of ice produced.
- **Ice maker is not turned on, or ice bin is not installed correctly** - Turn on the ice maker and make sure the ice storage bin is firmly in position. See “Ice Maker and Storage Bin” in the User Instructions or User Guide.
- **Ice is clogged or frozen together in the ice storage bin, or ice is blocking the ice delivery chute** - Remove or separate the clogged ice, using a plastic utensil if necessary. Clean the ice delivery chute and the bottom of the ice storage bin using a warm damp cloth, then dry both thoroughly. To avoid clogging and to maintain a fresh supply of ice, empty the storage bin and clean both the storage bin and the delivery chute every 2 weeks.
- **Wrong ice has been added to the storage bin** - Use only ice cubes produced by the current ice maker.
- **Dispenser is locked** - Unlock the dispenser. See “Water and Ice Dispensers” in the User Instructions or User Guide.
- **Ice dispenser jams while dispensing crushed ice** - For models with the ice storage bin on the door, temporarily switch from crushed ice to cubed ice to clear the jam.
- **Dispenser pad/lever has been pressed too long** - Ice will automatically stop dispensing. Wait a few minutes for the dispenser to reset, then resume dispensing. Take large amounts of ice directly from the ice bin, not through the dispenser.
- **Water pressure to the home is not at or above 30 psi (207 kPa)** - The water pressure to the home affects the flow from the dispenser. See the “Water Supply Requirements” section.
- **Water filter is clogged or incorrectly installed** - Replace filter or reinstall it correctly. See “Water Filtration System” in the User Instructions or User Guide.

Ice or water has an off-taste, odor, or gray color

- **New plumbing connections** - New plumbing connections can result in off-flavored or discolored ice or water. This problem should go away over time.
- **Ice has been stored too long** - Discard the ice and wash the ice bin. Allow 24 hours for the ice maker to produce new ice.
- **Odor has transferred from food** - Use airtight moisture-proof packaging to store food.
- **Use of non-recommended water supply line** - Odors and tastes can transfer from certain materials used in non-recommended water supply lines. Use only a recommended water supply line. See the “Water Supply Requirements” section.
- **There are minerals (such as sulfur) in the water** - A water filter may need to be installed in order to remove the minerals.
- **Water filter was recently installed or replaced** - Gray or dark discoloration in ice or water indicates that the water filtration system needs additional flushing. See “Water and Ice Dispensers” in the User Instructions or User Guide.

Water dispenser will not operate properly

- **Doors not closed completely** - Make sure both doors are firmly closed. (On some models, only the freezer door must be closed in order to operate the dispenser.)
- **Refrigerator is not connected to a water supply, or the water supply shut-off valve is not turned on** - Connect the refrigerator to a water supply and make sure the water shut-off valve is fully open.
- **Kink in the water source line** - A kink in the water line can reduce water flow to the dispenser. Straighten the water line.
- **Water pressure to the home is not at or above 30 psi (207 kPa)** - The water pressure to the home affects the flow from the dispenser. See the “Water Supply Requirements” section.
- **New installation** - After connecting the refrigerator to a water source, flush the water system. See “Water and Ice Dispensers” in the User Instructions or User Guide.
- **Dispenser is locked** - Unlock the dispenser. See “Water and Ice Dispensers” in the User Instructions or User Guide.
- **Water filter is clogged or incorrectly installed** - Replace filter or reinstall it correctly. See “Water Filtration System” in the User Instructions or User Guide.
- **A reverse osmosis water filtration system is connected to your cold water supply** - This can decrease water pressure. See the “Water Supply Requirements” section.

NOTE: If questions remain regarding water pressure, contact a licensed, qualified plumber.

ICE AND WATER	Possible Causes and/or Recommended Solutions
Water is leaking or dripping from the dispenser	<p>NOTE: After dispensing, a few additional drops of water are normal.</p> <ul style="list-style-type: none"> ■ Glass was not held under the dispenser long enough - Hold the glass under the dispenser for 2 to 3 seconds after releasing the dispenser pad/lever. ■ New installation, or water filter was recently installed or replaced - Air in the water lines causes the water dispenser to drip. Flush the water system to remove the air in the water lines. See “Water and Ice Dispensers” in the User Instructions or User Guide. ■ Residual ice in the dispenser chute is melting - Make sure the ice chute is free of ice shavings or pieces.
Water is leaking from the back of the refrigerator	<ul style="list-style-type: none"> ■ Water line connections are not fully tightened - Make sure all connections are firmly tightened. See the “Connect Water Supply” section.
Water from the dispenser is not cool enough (on some models)	<p>NOTE: Water from the dispenser is chilled to 50°F (10°C).</p> <ul style="list-style-type: none"> ■ New installation - Allow 24 hours after installation for the water supply to cool completely. ■ Recently dispensed a large amount of water - Allow 24 hours for the new water supply to cool completely. ■ Water has not been recently dispensed - The first glass of water may not be cool. Discard the first glass of water dispensed. ■ Refrigerator is not connected to a cold water pipe - Make sure the refrigerator is connected to a cold water pipe. See the “Water Supply Requirements” section.

PERFORMANCE DATA SHEET

Water Filtration System Model P5WB2L/P4RFB Capacity 200 Gallons (757 Liters)



System tested and certified by NSF International against NSF/ANSI Standard 42 for the reduction of Chlorine Taste and Odor, and Particulate Class I*; and against NSF/ANSI Standard 53 for the reduction of Live Cysts, Asbestos, Lead, Lindane, Toxaphene, Atrazine, and 2,4 - D.

This system has been tested according to NSF/ANSI Standards 42 and 53 for the reduction of the substances listed below. The concentration of the indicated substances in water entering the system was reduced to a concentration less than or equal to the permissible limit for water leaving the system, as specified in NSF/ANSI Standards 42 and 53.

Substance Reduction Aesthetic Effects	NSF Reduction Requirements	Average Influent	Influent Challenge Concentration	Maximum Effluent	Minimum % Reduction	Average % Reduction
Chlorine Taste/Odor	50% reduction	2.0 mg/L	2.0 mg/L ± 10%	0.20 mg/L	97	97.2
Particulate Class I*	85% reduction	7,300,000 #/mL	At least 10,000 particles/mL	75,000 #/mL**	99	99.4
Contaminant Reduction	NSF Reduction Requirements	Average Influent	Influent Challenge Concentration	Maximum Effluent	Minimum % Reduction	Average % Reduction
Live Cysts†	99.95%	160,000/L	50,000/L min.	54/L†	99.97	99.99
Asbestos	99%	87 MFL	10 ⁷ to 10 ⁸ fibers/L††	0.17 MFL	99	99
Lead: @ pH 6.5	0.010 mg/L	0.160 mg/L	0.15 mg/L ± 10%	0.001 mg/L	99.4	99.4
Lead: @ pH 8.5	0.010 mg/L	0.140 mg/L	0.15 mg/L ± 10%	0.005 mg/L	98.6	98.6
Lindane	0.0002 mg/L	0.0019 mg/L	0.002 mg/L ± 10%	0.00002 mg/L	98.9	99
Toxaphene	0.003 mg/L	0.014 mg/L	0.015 mg/L ± 10%	0.001 mg/L	93	93
Atrazine	0.003 mg/L	0.0094 mg/L	0.009 mg/L ± 10%	0.0005 mg/L	94.5	94.7
2,4 - D	0.07 mg/L	0.220 mg/L	0.210 mg/L ± 10%	0.028 mg/L	87.5	96.1

Test Parameters: pH = 7.5 ± 0.5 unless otherwise noted. Flow = 0.5 gpm (1.9 Lpm). Pressure = 60 psig (413.7 kPa). Temp. = 68°F to 71.6°F (20°C to 22°C). Rated service capacity = 200 gallons (757 liters).

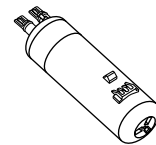
- It is important that operational, maintenance, and filter replacement requirements be carried out for the product to perform as advertised. Property damage can occur if all instructions are not followed.
- Use replacement filter according you filtration system, see "Ice and Water" in the User Guide

Water Filter:
Water Filtration System Style 1 - Order Part # EDR1RXD1
Water Filtration System Style 2 - Order Part # EDR2RXD1

When the water filter status changes from TURN OFF to RED light on your control panel, it is recommended that you replace the filter.
- After changing the water filter, flush the water system. See "Water and Ice Dispensers" or "Water Dispenser" in the User Instructions or User Guide.
- These contaminants are not necessarily in your water supply. While testing was performed under standard laboratory conditions, actual performance may vary.
- The product is for cold water use only.
- The water system must be installed in compliance with state and local laws and regulations.
- Do not use with water that is microbiologically unsafe or of unknown quality without adequate disinfection before or after the system. Systems certified for cyst reduction may be used on disinfected waters that may contain filterable cysts.
- Refer to the "Warranty" section (in the User Instructions or User Guide) for the Manufacturer's name, address and telephone number.
- Refer to the "Warranty" section (in the User Instructions or User Guide) for the Manufacturer's limited warranty.

Application Guidelines/Water Supply Parameters

Water Supply	City or Well
Water Pressure	30 - 120 psi (207 - 827 kPa)
Water Temperature	33° - 100°F (0.6° - 37.8°C)
Service Flow Rate	0.5 gpm (1.9 Lpm) @ 60 psi



*Class I particle size: >0.5 to <1 um

**Test requirement is at least 100,000 particles/mL of AC Fine Test Dust.

†Based on the use of Cryptosporidium parvum oocysts

††Fibers greater than 10 um in length

INSTRUCTIONS D'INSTALLATION ET MANUEL D'UTILISATION

Réfrigérateur côte à côte

SÉCURITÉ DU RÉFRIGÉRATEUR

Votre sécurité et celle des autres est très importante.

Nous donnons de nombreux messages de sécurité importants dans ce manuel et sur votre appareil ménager. Assurez-vous de toujours lire tous les messages de sécurité et de vous y conformer.



Voici le symbole d'alerte de sécurité.

Ce symbole d'alerte de sécurité vous signale les dangers potentiels de décès et de blessures graves à vous et à d'autres.

Tous les messages de sécurité suivront le symbole d'alerte de sécurité et le mot "DANGER" ou "AVERTISSEMENT". Ces mots signifient :

 **DANGER**

Risque possible de décès ou de blessure grave si vous ne suivez pas immédiatement les instructions.

 **AVERTISSEMENT**

Risque possible de décès ou de blessure grave si vous ne suivez pas les instructions.

Tous les messages de sécurité vous diront quel est le danger potentiel et vous disent comment réduire le risque de blessure et ce qui peut se produire en cas de non-respect des instructions.

IMPORTANTES INSTRUCTIONS DE SÉCURITÉ

AVERTISSEMENT : Pour réduire les risques d'incendie, de choc électrique ou des blessures lors de l'utilisation du réfrigérateur, prendre quelques précautions fondamentales, y compris les suivantes :

- Brancher l'appareil sur une prise à 3 alvéoles reliée à la terre.
- Ne pas enlever la broche de liaison à la terre.
- Ne pas utiliser un adaptateur.
- Ne pas utiliser un câble de rallonge.
- Débrancher la source de courant électrique avant l'entretien.
- Replacer pièces et panneaux avant de faire la remise en marche.
- Enlever les portes de votre vieux réfrigérateur.
- Raccorder à la canalisation d'arrivée d'eau potable uniquement.
- Utiliser un produit de nettoyage ininflammable.
- Garder les matériaux et les vapeurs inflammables, telle que l'essence, loin du réfrigérateur.
- Utiliser deux ou plus de personnes pour déplacer et installer le réfrigérateur.
- Débrancher le réfrigérateur avant l'installation de la machine à glaçons (seulement pour modèles prêts à recevoir une machine à glaçons).
- Utiliser un verre robuste pour prendre des glaçons (sur certains modèles).
- Ne pas heurter les portes en verre du réfrigérateur (sur certains modèles).
- Cet appareil ne convient pas à une utilisation par des personnes (y compris des enfants) à capacités physiques, sensorielles ou mentales réduites, ou possédant un manque d'expérience et de connaissances, à moins qu'elles ne soient placées sous supervision ou qu'elles aient reçu des instructions concernant l'utilisation de l'appareil par une personne responsable de leur sécurité.
- Les enfants doivent être placés sous surveillance afin de s'assurer qu'ils ne jouent pas avec l'appareil.

CONSERVEZ CES INSTRUCTIONS

Avertissements de la proposition 65 de l'État de Californie :

AVERTISSEMENT : Ce produit contient au moins un produit chimique connu par l'État de Californie pour être à l'origine de cancers.

AVERTISSEMENT : Ce produit contient au moins un produit chimique connu par l'État de Californie pour être à l'origine de malformations et autres déficiences de naissance.

Mise au rebut appropriée de votre vieux réfrigérateur

⚠ AVERTISSEMENT

Risque de suffoquer

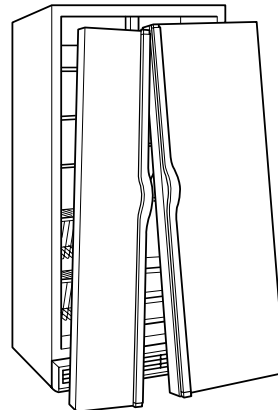
Enlever les portes de votre vieux réfrigérateur.

Le non-respect de cette instruction peut causer un décès ou des lésions cérébrales.

IMPORTANT: L'emprisonnement et l'étouffement des enfants ne sont pas un problème du passé. Les réfrigérateurs jetés ou abandonnés sont encore dangereux, même s'ils sont laissés abandonnés pendant "quelques jours seulement". Si vous vous débarrassez de votre vieux réfrigérateur, veuillez suivre les instructions suivantes pour aider à éviter les accidents.

Avant de jeter votre vieux réfrigérateur ou congélateur :

- Enlever les portes.
- Laisser les tablettes en place de sorte que les enfants ne puissent pas y pénétrer facilement.



Renseignements importants à propos de la mise au rebut des fluides réfrigérants :

Mettre le réfrigérateur au rebut conformément à la réglementation fédérale et locale. Les fluides réfrigérants doivent être évacués par un technicien certifié et agréé par l'EPA conformément aux procédures établies.

INSTRUCTIONS D'INSTALLATION

Déballage du réfrigérateur

⚠ AVERTISSEMENT

Risque du poids excessif

Utiliser deux ou plus de personnes pour déplacer et installer le réfrigérateur.

Le non-respect de cette instruction peut causer une blessure au dos ou d'autre blessure.

Retirer les matériaux d'emballage. Ne pas utiliser d'instruments coupants, d'alcool à friction, de liquides inflammables ou de nettoyants abrasifs pour enlever le ruban adhésif ou la colle. Ces produits peuvent endommager la surface de votre réfrigérateur. Pour plus de renseignements, voir "Sécurité du réfrigérateur".

Déplacement de votre réfrigérateur :

Votre réfrigérateur est lourd. Lors du déplacement de votre réfrigérateur pour le nettoyage ou un entretien ou réparation, veiller à recouvrir le plancher avec du carton ou un panneau de fibres dures pour éviter qu'il ne subisse tout dommage. Toujours tirer le réfrigérateur tout droit lors de son déplacement. Ne pas incliner le réfrigérateur d'un côté ou de l'autre ni le "faire marcher" en essayant de le déplacer car le plancher pourrait être endommagé.

Importants renseignements à savoir au sujet des tablettes et des couvercles en verre :

Ne pas nettoyer les tablettes ou couvercles en verre avec de l'eau tiède quand ils sont froids. Les tablettes et les couvercles peuvent se briser s'ils sont exposés à des changements soudains de température ou à un impact tel que coup brusque. Le verre trempé est conçu pour éclater en d'innombrables pièces minuscules. Ceci est normal. Les tablettes et les couvercles en verre sont lourds. Les saisir à deux mains lors de leur dépose afin d'éviter de les faire tomber.

Retrait, réglage de l'aplomb et alignement des portes

Rassembler les outils et pièces nécessaires et lire toutes les instructions avant de commencer l'installation. Conserver ces instructions pour référence ultérieure.

REMARQUE : En cas de déménagement, prendre les mesures de l'entrée de l'habitation, avant de déplacer l'appareil, afin de déterminer s'il est nécessaire de démonter la porte du réfrigérateur et celle du congélateur. Si les portes doivent être retirées, voir les instructions ci-dessous.

IMPORTANT : Avant de commencer, débrancher le réfrigérateur ou déconnecter la source de courant électrique. Retirer les aliments, le bac d'entreposage des glaçons (sur certains modèles) et tout balconnet réglable ou compartiment utilitaire des portes.

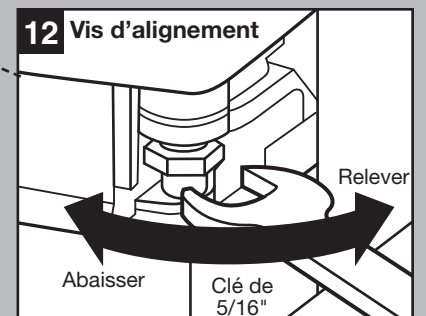
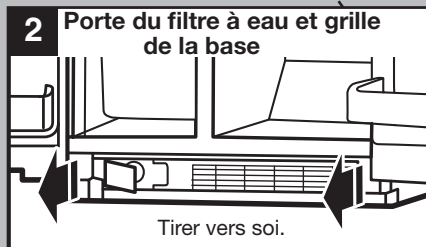
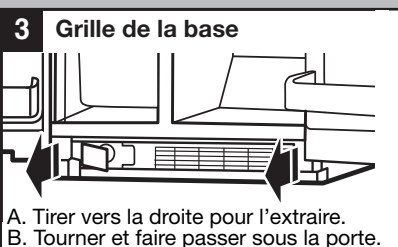
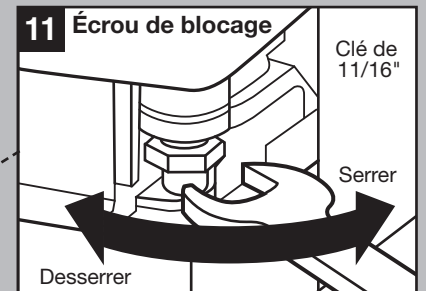
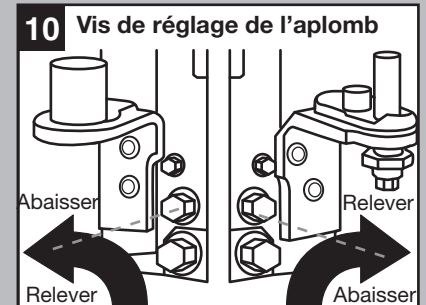
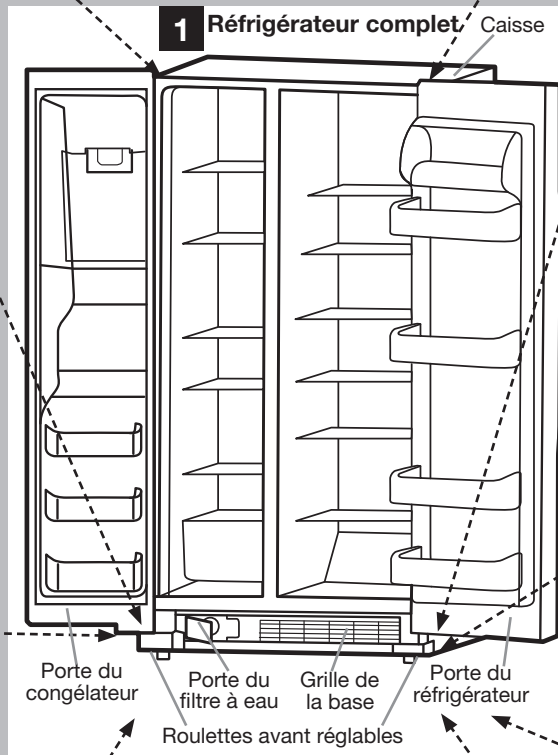
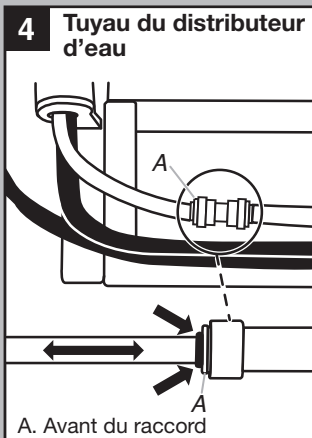
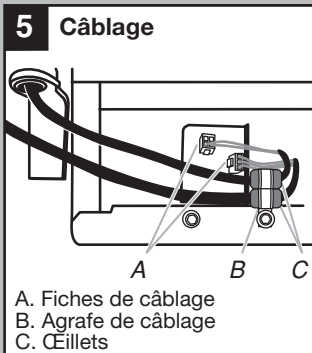
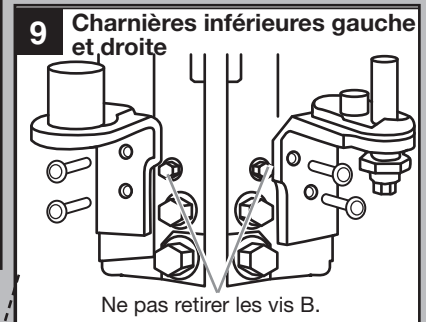
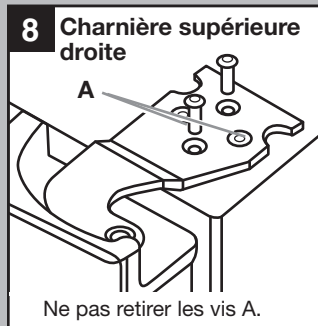
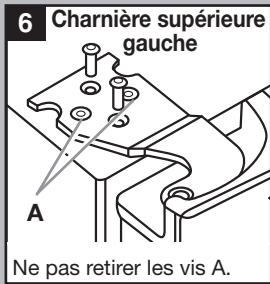
OUTILS NÉCESSAIRES : Niveau à bulle; tournevis à lame plate; clé de 5/16" et 11/16"; clés à douille à tête hexagonale de 1/4", 3/8" et 5/16", tournevis TORX® T30®†.

⚠ AVERTISSEMENT

Risque de choc électrique

Déconnecter la source de courant électrique avant d'enlever les portes.

Le non-respect de cette instruction peut causer un décès ou un choc électrique.



†©TORX et T30 sont des marques déposées de Acument Intellectual Properties, LLC.

Retrait des portes

Si le réfrigérateur ne passe pas à travers la porte d'entrée ou si l'on souhaite se débarrasser d'un vieux réfrigérateur, procéder comme suit pour retirer les portes.

AVERTISSEMENT



Risque de choc électrique

Déconnecter la source de courant électrique avant d'enlever les portes.

Le non-respect de cette instruction peut causer un décès ou un choc électrique.

1. Débrancher le réfrigérateur ou déconnecter la source de courant électrique.
2. Ouvrir complètement les deux portes. Voir l'illustration 1.
3. Si ce modèle d'appareil comporte un distributeur d'eau, ouvrir la porte du filtre à eau en la tirant vers soi. Voir l'illustration 2. Il n'est pas nécessaire de retirer le filtre à eau lui-même.
4. Tirer la grille de la base vers soi par les côtés, puis par le centre pour la dégager. Voir l'illustration 2.
5. Pour retirer la grille de la base, faire pivoter le côté droit et le tirer jusqu'à ce que ce côté passe sous la porte du réfrigérateur. Voir l'illustration 3. Puis tirer le côté gauche de la grille de la base pour la retirer complètement.
6. Si ce modèle d'appareil comporte un distributeur d'eau dans la porte, débrancher le tuyau du distributeur d'eau situé sous la porte du congélateur.
 - Appuyer l'anneau externe bleu contre la partie avant du raccord et tirer pour libérer le tuyau du distributeur. Voir l'illustration 4.
REMARQUE : Maintenir le connecteur du tuyau d'eau fixé au tuyau qui passe sous le congélateur. La porte ne peut être enlevée si le connecteur est toujours fixé au tuyau qui passe par la charnière de porte.
7. Si ce modèle d'appareil comporte un distributeur d'eau dans la porte, débrancher le câble situé sous la porte du congélateur. Voir l'illustration 5.
 - Ôter l'agrafe de câblage et le support attache-fil avec une clé à douille à tête hexagonale de 1/4".
 - Débrancher les fiches de câblage du support attache-fil.
8. Fermer la porte du congélateur et utiliser un tournevis TORX® T30® pour retirer complètement la charnière supérieure. Voir l'illustration 6.
IMPORTANT : Ne pas retirer les vis A. Tenir la porte pendant le retrait de la charnière.
9. Soulever verticalement la porte du congélateur pour l'enlever de la charnière inférieure. Voir l'illustration 7. Le tuyau et le câble du distributeur d'eau restent joints à la porte du congélateur.
REMARQUE : Cette opération peut nécessiter la participation de deux personnes – l'une pour soulever la porte et l'autre pour faire passer le tuyau d'eau et le câble par l'axe de la charnière inférieure.
IMPORTANT : Faire reposer la porte sur le côté, sur une surface souple et propre telle une serviette, une couverture ou un morceau de carton. Ceci permettra d'éviter d'endommager la porte, le tuyau d'eau et le câble.

10. Fermer la porte du réfrigérateur et utiliser un tournevis TORX® T30® pour retirer complètement la charnière supérieure. Voir l'illustration 8.
IMPORTANT : Ne pas retirer les vis A. Tenir la porte pendant le retrait de la charnière.
11. Soulever verticalement la porte du réfrigérateur pour l'enlever de la charnière inférieure. Voir l'illustration 7.
IMPORTANT : Faire reposer la porte sur le côté, sur une surface souple et propre telle une serviette, une couverture ou un morceau de carton. Ceci permettra d'éviter d'endommager la porte.
12. Retirer les deux charnières inférieures si le réfrigérateur sans portes ne passe pas dans l'entrée du domicile. Utiliser un chasse-écrou de 5/16" pour les retirer. Voir l'illustration 9.
IMPORTANT : Ne pas retirer les vis B.

Réinstallation des portes et des charnières

Si les portes et charnières inférieures ont été retirées, suivre les instructions suivantes pour la réinstallation :

1. Réinstaller les deux charnières inférieures à l'aide d'un chasse-écrou de 5/16" pour serrer les vis. Voir l'illustration 9.
2. Si ce modèle d'appareil comporte un distributeur d'eau dans la porte :
 - Soulever suffisamment la porte du congélateur pour faire passer le tuyau d'eau du distributeur d'eau et le câble à travers l'axe de la charnière inférieure.
REMARQUE : Cette opération peut nécessiter la participation de deux personnes – l'une pour soulever la porte et l'autre pour faire passer le tuyau d'eau et le câble par l'axe de la charnière inférieure. Voir l'illustration 7.
 - Insérer la porte du congélateur dans l'axe de la charnière inférieure.
- IMPORTANT :** Tenir la porte pendant l'installation de la charnière.
3. Fermer la porte du congélateur pour aligner et réinstaller la charnière supérieure. Utiliser un tournevis TORX® T30® pour serrer les vis. Voir l'illustration 8.
IMPORTANT : Installer un support supplémentaire pour la porte pendant la réinstallation de la charnière supérieure. La force d'attraction des aimants de la porte ne suffit pas à la maintenir en place.
4. Si ce modèle d'appareil comporte un distributeur d'eau dans la porte, brancher le tuyau du distributeur d'eau. Pour le branchement, pousser le tuyau dans le raccord jusqu'à ce qu'il s'arrête et que le repère noir touche la partie avant du raccord. Voir l'illustration 4.
5. Raccorder le câble. Voir l'illustration 5.
 - Réinstaller l'agrafe de câblage et le support attache-fil avec une clé à douille à tête hexagonale de 1/4".
 - Brancher les fiches de câblage du support attache-fil.
6. Soulever suffisamment la porte du réfrigérateur pour insérer la porte dans l'axe de charnière inférieure. Voir l'illustration 7.
IMPORTANT : Tenir la porte pendant l'installation de la charnière.
7. Fermer la porte du réfrigérateur pour aligner et réinstaller la charnière supérieure. Utiliser un tournevis TORX® T30® pour serrer les vis. Voir l'illustration 6.
IMPORTANT : Installer un support supplémentaire pour la porte pendant la réinstallation de la charnière supérieure. La force d'attraction des aimants de la porte ne suffit pas à la maintenir en place.

Réglage de l'aplomb et fermeture des portes

Le réfrigérateur est équipé de deux roulettes réglables. Voir l'illustration 1.

Elles servent à mettre à niveau le réfrigérateur lorsque le sol est inégal ou pour faciliter la fermeture des portes. Suivre les instructions ci-dessous :

1. Placer le réfrigérateur à son emplacement définitif dans la cuisine et ouvrir les deux portes.
2. Ouvrir complètement les deux portes. Voir l'illustration 1.
3. Si ce modèle d'appareil comporte un distributeur d'eau dans la porte, ouvrir la porte du filtre à eau en la tirant vers soi. Voir l'illustration 2. Il n'est pas nécessaire de retirer le filtre à eau lui-même.
4. Tirer la grille de la base vers soi par les côtés, puis par le centre pour la dégager. Voir l'illustration 2.
5. Pour retirer la grille de la base, faire pivoter le côté droit et le tirer jusqu'à ce que ce côté passe sous la porte du réfrigérateur. Voir l'illustration 3. Puis tirer le côté gauche de la grille de la base pour la retirer complètement.
6. Utiliser un chasse-écrou de 3/8" pour faire tourner les vis de réglage de l'aplomb situées sur les deux côtés du réfrigérateur. Voir l'illustration 10. Si le sol est irrégulier, tourner une vis ou les deux vis vers la droite ou vers la gauche plusieurs fois pour relever ou abaisser le réfrigérateur. Contrôler l'aplomb du réfrigérateur en utilisant un niveau à bulle, si nécessaire.
7. Fermer les deux portes et vérifier qu'elles ferment aussi facilement que souhaité. Sinon, tourner les deux vis vers la droite pour relever le réfrigérateur en l'inclinant un peu plus vers l'arrière jusqu'à ce que les portes ferment tel que souhaité.
8. Vérifier que la fiche technique est à l'intérieur de la cavité de la grille de la base avant d'installer la grille dans la caisse du réfrigérateur.
9. Réinstaller la grille de la base dans la caisse du réfrigérateur, en introduisant d'abord le côté gauche puis le côté droit de la grille de la base. Voir l'illustration 3. Introduire le tuyau et le câble du distributeur d'eau dans la cavité de la grille de la base sous la charnière inférieure gauche.
10. Pousser la grille de la base pour la fixer à la caisse à l'aide des agrafes. Voir l'illustration 2.

Alignement des portes

Les portes du réfrigérateur sont conçues pour être légèrement décalées verticalement lorsque le réfrigérateur est vide. Suivre les étapes suivantes pour aligner les portes du réfrigérateur.

1. Utiliser une clé à molette de 11/16" pour desserrer l'écrou de blocage situé sous la porte du réfrigérateur. Voir l'illustration 11.
2. Ajuster la clé pour pouvoir l'introduire dans l'espace.
3. Utiliser une clé à molette de 5/16" pour tourner la vis d'alignement. Voir l'illustration 12. Selon la façon dont la porte du réfrigérateur est décalée par rapport à la porte du congélateur, tourner la vis vers la droite pour relever la porte du réfrigérateur ou vers la gauche pour l'abaisser jusqu'à ce que les deux portes soient alignées verticalement.
4. Serrer l'écrou de blocage de avec la clé de 11/16".
5. Refixer la grille de la base si elle a été dégagée.

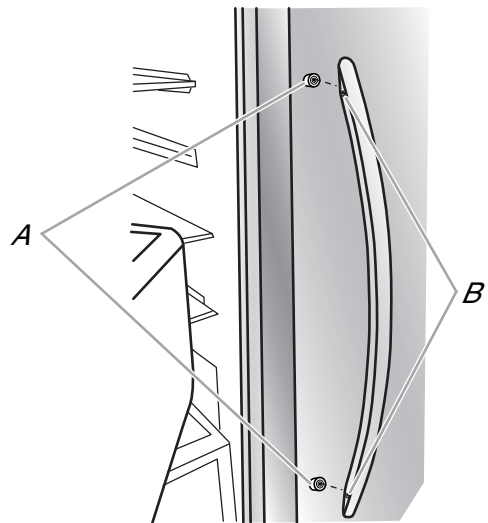
Installation et retrait des poignées

PIÈCES COMPRISES : Poignées de porte (2), clé à tête hexagonale de 1/8", vis de blocage de rechange

Installation des poignées:

REMARQUE : Les vis de blocage sont préinstallées sur les poignées.

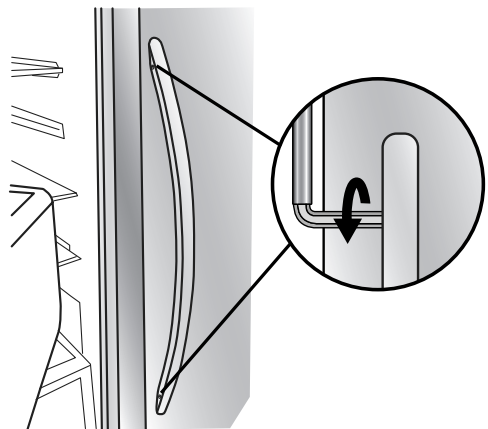
1. Retirer les poignées de l'emballage à l'intérieur du réfrigérateur.
REMARQUE : Afin d'éviter d'érafler le revêtement, placer les poignées sur une serviette ou une autre surface souple.
2. Ouvrir la porte du congélateur. Placer la poignée sur les vis à épaulement montées sur la porte du réfrigérateur en orientant les vis de blocage vers le congélateur.



A. Vis à épaulement

B. Vis de blocage à l'intérieur de la poignée

3. Pousser fermement la poignée vers la porte jusqu'à ce que la base de la poignée soit en affleurement de la porte.
4. Tout en maintenant la poignée, introduire le côté court de la clé à tête hexagonale dans le trou supérieur, puis tourner légèrement la clé à tête hexagonale pour l'engager dans la vis de blocage.



5. Serrer la vis de blocage dans le sens horaire jusqu'à ce qu'elle commence à toucher la vis à épaulement.
6. Répéter les étapes 4 et 5 pour commencer à serrer la vis de blocage inférieure.
7. Une fois que les deux vis de blocage ont été partiellement serrées tel que décrit dans les étapes précédentes, resserrer complètement les vis de blocage inférieures et supérieures.
IMPORTANT : Lorsque les vis semblent serrées, les serrer d'un quart de tour supplémentaire. Sans ce serrage supplémentaire, la poignée ne sera pas correctement installée.
8. Ouvrir la porte du réfrigérateur et fermer la porte du congélateur. Répéter les étapes 2 à 7 pour installer l'autre poignée sur la porte du congélateur en orientant les vis de blocage vers le réfrigérateur.
9. Conserver la clé à tête hexagonale et toutes les instructions.

Retrait des poignées :

1. Tout en maintenant la poignée, introduire le côté court de la clé à tête hexagonale dans le trou de la vis de blocage inférieure, puis tourner légèrement la clé à tête hexagonale pour l'engager dans la vis de blocage.
2. Desserrer la vis de blocage dans le sens antihoraire en la tournant d'un quart de tour à la fois.
3. Répéter les étapes 1 et 2 pour la vis de blocage supérieure. Dégager la poignée de la porte en la tirant doucement.

4. Si nécessaire, retirer les vis à épaulement de la porte avec un tournevis Phillips.

Exigences d'emplacement

⚠ AVERTISSEMENT



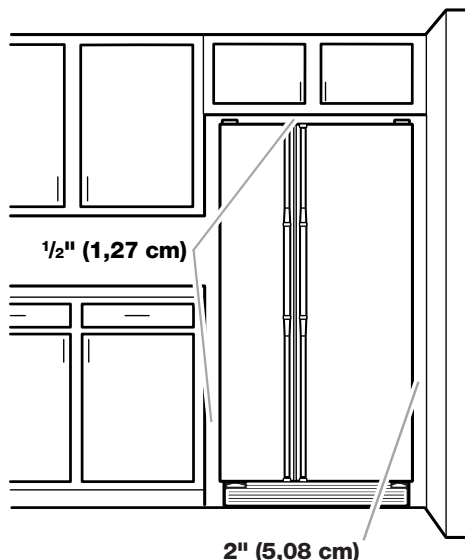
Risque d'explosion

Garder les matériaux et les vapeurs inflammables, telle que l'essence, loin du réfrigérateur.

Le non-respect de cette instruction peut causer un décès, une explosion ou un incendie.

IMPORTANT : Ce réfrigérateur est conçu pour un usage domestique, à l'intérieur uniquement.

Pour obtenir une aération appropriée pour votre réfrigérateur, laissez un espace de 1/2" (1,27 cm) de chaque côté et au sommet. Laissez un espace de 2" (5,08 cm) derrière le réfrigérateur. Si votre réfrigérateur comporte une machine à glaçons, s'assurer qu'un espace additionnel est prévu à l'arrière pour permettre les raccordements des conduits d'eau. En cas d'installation du réfrigérateur près d'un mur fixe, laissez un minimum de 2" (5,08 cm) de chaque côté (selon le modèle) pour permettre aux portes de s'ouvrir sans obstruction.



REMARQUES :

- Ce réfrigérateur est conçu pour être utilisé dans un endroit où la température est comprise entre un minimum de 55 °F (13 °C) et un maximum de 110 °F (43 °C). La plage de température ambiante idéale pour une performance optimale est comprise entre 60 °F (15 °C) et 90 °F (32 °C). Respecter cette plage de température permet aussi de réduire la consommation d'électricité et d'optimiser l'efficacité du refroidissement. Il est recommandé de ne pas installer le réfrigérateur près d'une quelconque source de chaleur, tel un four ou un radiateur.
- La largeur normale de la cavité d'encastrement doit être d'au moins 36" (91,44 cm) pour l'installation du produit. Cependant, si le produit est placé contre une paroi relativement longue et si on veut pouvoir retirer les bacs à légumes, il convient d'élargir la cavité de 18" (45,72 cm). On recommande donc une cavité d'encastrement d'une largeur totale de 54" (137,16 cm).

Spécifications électriques

⚠ AVERTISSEMENT



Risque de choc électrique

Brancher sur une prise à 3 alvéoles reliée à la terre.

Ne pas enlever la broche de liaison à la terre.

Ne pas utiliser un adaptateur.

Ne pas utiliser un câble de rallonge.

Le non-respect de ces instructions peut causer un décès, un incendie ou un choc électrique.

Avant de placer le réfrigérateur à son emplacement final, il est important de vous assurer d'avoir la connexion électrique appropriée.

Méthode recommandée de mise à la terre

Une source d'alimentation de 115 volts, 60 Hz, type 15 ou 20 ampères CA seulement, protégée par fusible et adéquatement mise à la terre, est nécessaire. Il est recommandé d'utiliser un circuit distinct pour alimenter uniquement votre réfrigérateur. Utiliser une prise murale qui ne peut pas être mise hors circuit à l'aide d'un commutateur. Ne pas utiliser un câble de rallonge.

REMARQUE : Avant d'installer ou de nettoyer un quelconque élément, ou de retirer une ampoule d'éclairage débrancher le réfrigérateur de la source d'alimentation électrique. Lorsque vous avez terminé, reconnecter le réfrigérateur à la source d'alimentation électrique et réactiver le refroidissement ou replacer la commande (du thermostat, réfrigérateur ou congélateur selon le modèle) au réglage désiré. Voir "Utilisation des commandes" dans les instructions d'utilisation, le guide d'utilisation, ou le guide d'utilisation et d'entretien.

Spécifications de l'alimentation en eau

Rassembler les outils et pièces nécessaires avant de commencer l'installation. Lire et suivre les instructions fournies avec les outils indiqués ici.

OUTILLAGE REQUIS :

- Tournevis à lame plate
- Clés plates de 7/16" et 1/2" ou deux clés à molette
- Tourne-écrou de 1/4"
- Foret de 1/4"
- Perceuse sans fil

REMARQUE : Votre marchand de réfrigérateurs présente une trousse disponible avec un robinet d'arrêt à étrier de 1/4" (6,35 mm), un raccord et un tube en cuivre. Avant l'achat, s'assurer que le robinet d'arrêt à étrier est conforme à vos codes locaux de plomberie. Ne pas employer de robinet d'arrêt à étrier de 3/16" (4,76 mm) ou de type à percer, ce qui réduit le débit d'eau et cause une obstruction plus facilement.

IMPORTANT :

- Toutes les installations doivent être conformes aux exigences des codes locaux de plomberie.
- Utiliser un tube en cuivre et vérifier s'il y a des fuites. Installer les tubes en cuivre seulement à des endroits où la température se maintient au-dessus du point de congélation.

Pression de l'eau

Une alimentation en eau froide avec une pression entre 30 et 120 lb/po² (207 et 827 kPa) est nécessaire pour faire fonctionner le distributeur d'eau et la machine à glaçons. Si vous avez des questions au sujet de la pression de votre eau, appeler un plombier qualifié agréé.

- Si votre réfrigérateur comporte un distributeur d'eau : Une fois l'installation terminée, utiliser le distributeur d'eau pour vérifier que la pression de l'eau est correcte.
 - Après avoir retiré le filtre à eau, verser l'équivalent d'une (1) tasse (237 mL) d'eau. Si l'équivalent d'une (1) tasse d'eau est distribué en 8 secondes ou moins, cela signifie que la pression en eau alimentant le réfrigérateur répond au critère minimal.
 - S'il faut plus de 8 secondes à la machine pour distribuer l'équivalent d'une (1) tasse d'eau, cela signifie que la pression en eau alimentant le réfrigérateur est inférieure au niveau recommandé. Voir "Dépannage" pour des suggestions sur la marche à suivre.

Alimentation en eau par osmose inverse

IMPORTANT : La pression de l'alimentation en eau entre le système d'osmose inverse et la valve d'arrivée d'eau du réfrigérateur doit être entre 30 et 120 lb/po² (207 et 827 kPa). Si un système de purification de l'eau par osmose inverse est raccordé à votre alimentation en eau froide, la pression de l'eau au système doit être d'un minimum de 40 à 60 lb/po² (276 à 414 kPa).

Si la pression de l'eau au système d'osmose inverse est inférieure à 40 à 60 lb/po² (276 à 414 kPa) :

- Vérifier si le filtre à sédiment du système d'osmose inverse est obstrué et le remplacer si nécessaire.
- Laisser le réservoir du système d'osmose inverse se remplir après une utilisation intense.
- Si votre réfrigérateur comporte un filtre à eau, celui-ci peut réduire encore davantage la pression de l'eau lorsqu'il est utilisé avec un système d'osmose inverse. Retirer le filtre à eau. Voir "Système de filtration d'eau" dans les instructions d'utilisation, le guide d'utilisation, ou le guide d'utilisation et d'entretien.

Si vous avez des questions au sujet de la pression de votre eau, appeler un plombier qualifié agréé.

Raccordement de la canalisation d'eau

Lire toutes les instructions avant de commencer.

IMPORTANT :

- L'installation de la plomberie doit être conforme au Code International de plomberie et respecter les codes et règlements locaux de plomberie.
- Le tuyau d'eau gris situé à l'arrière du réfrigérateur (et utilisé pour raccorder l'appareil à la canalisation d'eau du domicile) est un tuyau en polyéthylène réticulé (PEX). Il est possible d'utiliser des raccords en cuivre ou en polyéthylène réticulé pour le raccordement de la canalisation d'eau du domicile au réfrigérateur - ils contribuent à éviter que l'eau ou les glaçons n'aient un goût ou une odeur désagréable. Vérifier qu'il n'y a pas de fuites.

Si l'on utilise un tuyau en polyéthylène réticulé au lieu d'un tuyau de cuivre, nous recommandons les numéros de pièce Whirlpool suivants :

W10505928RP (PEX chemisé de 7 pi [2,14 m]),
8212547RP (PEX de 5 pi [1,52 m]), ou
W10267701RP (PEX de 25 pi [7,62 m]).

- Installer les tuyaux seulement là où les températures resteront au-dessus du point de congélation.

OUTILLAGE NÉCESSAIRE :

Rassembler les outils et pièces nécessaires avant de commencer l'installation.

- Tournevis à lame plate

- Clés plates de 7/16" et de 1/2" ou deux clés à molette
- Tourne-écrou de 1/4"

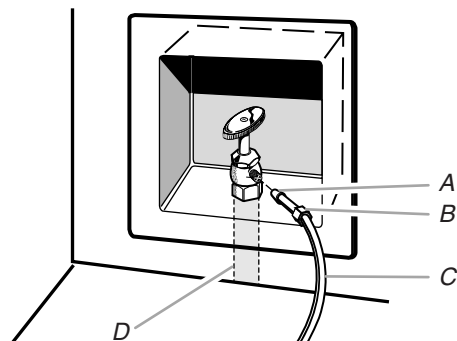
Raccordement à une canalisation d'eau

IMPORTANT : Si on doit mettre en marche le réfrigérateur avant qu'il soit raccordé à la canalisation d'eau, placer la commande de la machine à glaçons à la position arrêt.

Style 1 (Recommandé)

1. Débrancher le réfrigérateur ou déconnecter la source de courant électrique.
2. Fermer le robinet principal d'arrivée d'eau. Ouvrir le robinet de puisage le plus proche pendant une période suffisante pour que la canalisation d'eau se vide.
3. Utiliser un robinet d'arrêt quart de tour ou équivalent alimenté par une canalisation d'alimentation domestique en cuivre de 1/2".

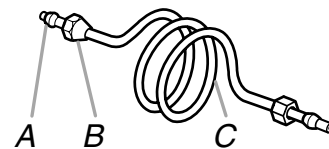
REMARQUE : Pour que le réfrigérateur reçoive un débit d'eau suffisant, on recommande l'emploi d'une canalisation d'alimentation domestique en cuivre de 1/2" minimum.



- A. Renflement
B. Écrou
C. Canalisation en cuivre (jusqu'au réfrigérateur)
D. Household supply line (1/2" minimum)

4. On est maintenant prêt à connecter le tuyau en cuivre au robinet d'arrêt. Utiliser un conduit de cuivre flexible de 1/4" (6,35 mm) de diamètre extérieur pour raccorder le robinet d'arrêt au réfrigérateur.

- S'assurer d'avoir la longueur nécessaire pour le raccordement. Il faut s'assurer que les deux extrémités du tuyau en cuivre sont bien coupées à angle droit.
- Installer le manchon et l'écrou à compression sur le tuyau en cuivre (voir l'illustration). Insérer l'extrémité du tuyau de sortie aussi profondément que possible et à l'équerre dans l'extrémité de sortie. Visser l'écrou à compression sur l'extrémité de la sortie à l'aide d'une clé à molette. Ne pas serrer à l'excès.



- A. Manchon à compression
B. Écrou de compression
C. Tuyau en cuivre

5. Placer l'extrémité libre du tuyau dans un contenant ou évier et rétablir l'alimentation principale en eau pour nettoyer le tuyau jusqu'à ce que l'eau en sorte claire. Fermer le robinet d'arrêt sur le tuyau d'alimentation en eau.

REMARQUE : Toujours vidanger le tuyau d'alimentation en eau avant de faire le raccordement final sur l'entrée du robinet pour empêcher tout mauvais fonctionnement éventuel du robinet.

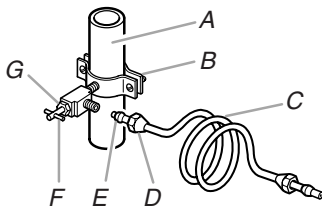
6. Courber le tuyau de cuivre de façon à faire un raccordement sur l'entrée du robinet qui se trouve à l'arrière de la caisse du réfrigérateur (voir l'illustration). Laisser un serpentín de tube en cuivre pour permettre de sortir le réfrigérateur du placard ou du mur en cas d'intervention de service.

Style 2

1. Débrancher le réfrigérateur ou déconnecter la source de courant électrique.
2. Fermer le robinet principal d'arrivée d'eau. Ouvrir le robinet de puisage le plus proche pendant une période suffisante pour que la canalisation d'eau se vide.
3. Repérer une canalisation d'eau froide verticale de 1/2" (1,27 cm) à 1 1/4" (3,18 cm) près du réfrigérateur.

IMPORTANT :

- S'assurer qu'il s'agit d'une canalisation d'eau froide.
 - Un conduit horizontal fonctionnera, mais percer par le dessus de la canalisation et non pas par le dessous. Ceci permet de tenir le point de perçage à l'écart de l'eau et d'empêcher les sédiments qu'on trouve normalement dans l'eau de s'accumuler dans le robinet.
4. Pour déterminer la longueur du tube en cuivre, il faut mesurer la distance entre le point de connexion inférieur à l'arrière du réfrigérateur et la canalisation d'eau. Ajouter une longueur de 7 pi (2,1 m) pour permettre le nettoyage. Utiliser un tube en cuivre de 1/4" (6,35 mm) de diamètre extérieur. Veiller à ce que le tube soit coupé d'équerre aux deux extrémités.
 5. À l'aide d'une perceuse sans fil, percer un trou de 1/4" (6,35 mm) dans le tuyau de canalisation d'eau froide choisi.



- | | |
|------------------------------|-------------------------|
| A. Canalisation d'eau froide | E. Bague de compression |
| B. Bride de tuyau | F. Robinet d'arrêt |
| C. Tube en cuivre | G. Écrou de serrage |
| D. Écrou de compression | |

6. Fixer le robinet d'arrêt sur la canalisation d'eau froide avec la bride de tuyau. Vérifier que l'extrémité de sortie du robinet est bien engagée dans le trou de 1/4" (6,35 mm) percé dans la canalisation et que la rondelle d'étanchéité est placée sous la bride de tuyau. Serrer l'écrou de serrage. Serrer lentement et uniformément les vis fixant la bride de prise en charge sur le tuyau afin d'assurer l'étanchéité de la rondelle. Ne pas serrer excessivement car ceci pourrait provoquer l'écrasement du tube en cuivre.
7. Enfiler l'écrou et la bague de compression sur le tube en cuivre comme on le voit sur l'illustration. Insérer l'extrémité du tube aussi loin que possible et en ligne droite dans l'extrémité de sortie du robinet. Visser l'écrou de compression sur l'extrémité de sortie avec une clé à molette. Ne pas serrer excessivement.
8. Placer le bout libre du tube dans un contenant ou évier et ouvrir le robinet principal d'arrivée d'eau et laisser l'eau s'écouler par le tube jusqu'à ce que l'eau soit limpide. Fermer le robinet d'arrêt du tuyau d'alimentation. Enrouler le tube en cuivre en spirale.

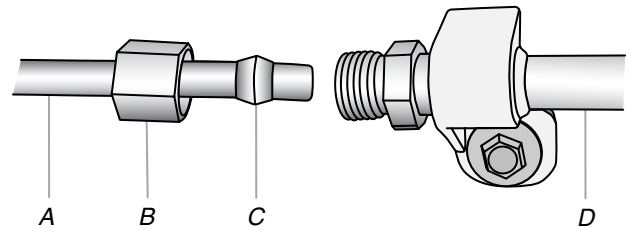
Raccordement au réfrigérateur

Style 1

1. Débrancher le réfrigérateur ou déconnecter la source de courant électrique.
2. Retirer et jeter la courte pièce en plastique noire au bout de l'orifice d'entrée de la canalisation d'eau.

3. Visser l'écrou sur l'extrémité du tuyau. Serrer l'écrou manuellement. Ensuite le serrer deux tours de plus avec une clé. Ne pas serrer à l'excès.

REMARQUE : Pour éviter les vibrations, veiller à ce que les tuyaux en cuivre ne soient pas en contact avec les parois latérales de la caisse ou d'autres composants à l'intérieur de la caisse.

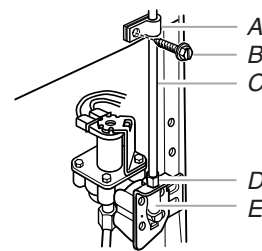


- | | |
|-----------------------------------|--|
| A. Canalisation d'eau du domicile | C. Virole (à acheter) |
| B. Écrou (à acheter) | D. Conduit d'eau vers le réfrigérateur |

4. Installer la bride du tuyau d'alimentation en eau autour de la canalisation d'alimentation en eau pour réduire la tension sur le raccord.
5. Ouvrir le robinet d'arrêt.
6. Vérifier s'il y a des fuites. Serrer tous les raccords (y compris les raccords du robinet) ou les écrous qui fuient.

Style 2

1. Débrancher le réfrigérateur ou déconnecter la source de courant électrique.
2. Retirer et jeter la pièce en plastique fixée au point d'arrivée du robinet d'eau.
3. Connecter le tube en cuivre à la valve d'arrivée d'eau en utilisant un écrou et une bague de compression tel qu'illustré. Serrer l'écrou de compression. Ne pas serrer excessivement.
4. Utiliser la bride du tube à l'arrière du réfrigérateur pour fixer le tube au réfrigérateur tel qu'illustré. Ceci aide à éviter d'endommager le tube lorsque le réfrigérateur est poussé contre le mur.
5. Ouvrir le robinet d'arrêt.
6. Inspecter pour rechercher les fuites. Serrer tous les raccords (y compris les raccords au niveau de la valve d'entrée d'eau) ou les écrous qui fuient.



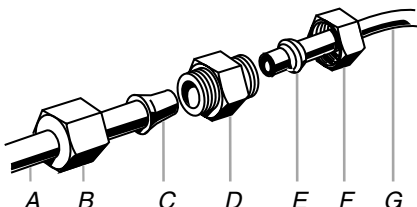
- | | |
|-------------------------|-------------------------|
| A. Bride du tube | D. Écrou de compression |
| B. Vis de bride de tube | E. Valve d'entrée d'eau |
| C. Tube en cuivre | |

7. Sur certains modèles, la machine à glaçons est équipée d'un filtre à eau incorporé. Si la qualité de l'eau distribuée localement nécessite un deuxième filtre à eau, installer ce dernier dans la canalisation d'eau de 1/4" (6,35 mm) au niveau de l'une des extrémités de la canalisation. On peut obtenir un tel filtre à eau chez le marchand d'appareils électroménagers le plus proche.

Style 3

1. Débrancher le réfrigérateur ou déconnecter la source de courant électrique.
2. Retirer et jeter le bouchon en nylon noir du tuyau d'eau gris à l'arrière du réfrigérateur.
3. Si le tuyau gris fourni avec le réfrigérateur n'est pas assez long, un raccord de 1/4" x 1/4" (6,35 mm x 6,35 mm) est nécessaire afin de connecter la canalisation d'eau au conduit d'eau existant dans la maison. Visser l'écrou fourni sur le raccord à l'extrémité du tube de cuivre.

REMARQUE : Serrer l'écrou à la main. Ensuite, le serrer avec une clé deux tours de plus. Ne pas serrer excessivement.



- | | |
|--|-----------------------------------|
| A. Conduit d'eau vers le réfrigérateur | E. Virole (à acheter) |
| B. Écrou (fourni) | F. Écrou (à acheter) |
| C. Renflement | G. Canalisation d'eau du domicile |
| D. Raccord (à acheter) | |

4. Ouvrir le robinet d'arrêt.
5. Inspecter pour rechercher les fuites. Serrer tous les raccords (y compris les raccords au niveau de la valve d'entrée d'eau) qui fuient.

Achever l'installation

⚠ AVERTISSEMENT



Risque de choc électrique

Brancher sur une prise à 3 alvéoles reliée à la terre.

Ne pas enlever la broche de liaison à la terre.

Ne pas utiliser un adaptateur.

Ne pas utiliser un câble de rallonge.

Le non-respect de ces instructions peut causer un décès, un incendie ou un choc électrique.

1. Brancher sur une prise à 3 alvéoles reliée à la terre.
2. Vider le système d'eau. Voir "Distributeurs d'eau et de glaçons" dans les instructions d'utilisation ou le guide d'utilisation.

REMARQUE : Attendre 24 heures pour produire la première quantité de glaçons. Attendre 72 heures pour que le bac à glaçons se remplisse entièrement.

ENTRETIEN DU RÉFRIGÉRATEUR

Nettoyage

⚠ AVERTISSEMENT



Risque d'explosion

Utiliser un produit de nettoyage ininflammable.

Le non-respect de cette instruction peut causer un décès, une explosion ou un incendie.

Les sections de réfrigération et de congélation se dégivrent automatiquement. Toutefois, nettoyer les deux sections environ une fois par mois pour éviter une accumulation d'odeurs. Essuyer les renversements immédiatement.

IMPORTANT : Comme l'air circule entre les deux sections, toutes les odeurs formées dans une section seront transférées à l'autre. Vous devez nettoyer à fond les deux sections pour éliminer les odeurs. Pour éviter le transfert d'odeurs et l'assèchement des aliments, envelopper ou recouvrir hermétiquement les aliments.

Nettoyage de votre réfrigérateur :

REMARQUE : Ne pas utiliser des nettoyants abrasifs ou puissants tels que les nettoyants à vitre en atomiseurs, nettoyants à récurer, liquides inflammables, cires nettoyantes, détergents concentrés, eau de Javel ou nettoyants contenant du pétrole sur les pièces en plastique, les garnitures intérieures et de portes ou les joints de portes. Ne pas utiliser d'essuie-tout, tampons à récurer ou autres outils de nettoyage puissants.

1. Débrancher le réfrigérateur ou déconnecter la source de courant électrique.
2. Laver à la main, rincer et sécher les pièces amovibles et les surfaces internes à fond. Utiliser une éponge propre ou un linge doux et un détergent doux dans de l'eau tiède.
3. Laver les surfaces extérieures en acier inoxydable ou en métal peint avec une éponge propre ou un linge doux et un détergent doux dans de l'eau tiède.
4. Le condenseur n'a pas besoin d'être nettoyé souvent dans des conditions de fonctionnement normales. Si l'environnement est particulièrement gras, poussiéreux, ou s'il y a des animaux domestiques dans la maison, le condenseur devrait être nettoyé tous les deux ou trois mois pour assurer une efficacité maximum.

Si vous avez besoin de nettoyer le condenseur :

- Retirer la grille de la base. Voir les instructions "Dépose de la porte", soit dans les instructions d'utilisation ou les instructions d'installation et le manuel d'utilisation, soit sur la feuille d'instructions fournie séparément avec le réfrigérateur.
 - Utiliser un aspirateur à brosse douce pour nettoyer la grille, les endroits ouverts derrière la grille et la surface à l'avant du condenseur.
 - Replacer la grille de la base lorsqu'on a terminé.
5. Brancher le réfrigérateur ou reconnecter la source de courant électrique.

Lampes

REMARQUE : Votre réfrigérateur ne pourra pas accommoder toutes les ampoules pour les appareils ménagers. S'assurer de faire le remplacement par une ampoule de grosseur, de forme et de puissance semblables.

- Les lampes du distributeur sont des DEL qui ne peuvent pas être remplacées.
 - Sur certains modèles, les lampes intérieures sont des DEL qui ne peuvent pas être remplacées.
 - Sur certains modèles, les lampes intérieures nécessitent une ampoule de 40 watts.
1. Débrancher le réfrigérateur ou déconnecter la source de courant électrique.
 2. Enlever le protecteur d'ampoule s'il y a lieu.
REMARQUE : Pour nettoyer le protecteur d'ampoule, le laver à l'eau tiède et avec un détergent liquide. Bien rincer et sécher le protecteur d'ampoule.
 3. Enlever l'ampoule d'éclairage et la remplacer par une de même taille, forme et puissance.
 4. Replacer le protecteur d'ampoule s'il y a lieu.
 5. Brancher le réfrigérateur ou reconnecter la source de courant électrique.

Entretien avant les vacances ou lors d'un déménagement

Vacances

Si vous choisissez de laisser le réfrigérateur en marche pendant votre absence :

1. Consommer tous les aliments périssables et congeler les autres.
2. Si le réfrigérateur comporte une machine à glaçons automatique et qu'il est raccordé à la source d'approvisionnement en eau du domicile, fermer la source d'approvisionnement en eau du réfrigérateur. Des dommages matériels peuvent survenir si l'alimentation en eau n'est pas coupée.
3. Si votre machine à glaçons est automatique, éteindre la machine à glaçons.
REMARQUE : Selon votre modèle, soulever le bras de commande métallique à la position OFF (arrêt) (position élevée) ou placer le commutateur sur OFF (à droite).
4. Vider le bac à glaçons.

Si vous choisissez d'arrêter le fonctionnement du réfrigérateur avant votre départ :

1. Enlever tous les aliments du réfrigérateur.
2. Si votre réfrigérateur a une machine à glaçons automatique:
 - Fermer l'approvisionnement d'eau de la machine à glaçons au moins une journée à l'avance.
 - Lorsque la dernière quantité de glaçons est distribuée, soulever le bras de commande métallique à la position OFF (arrêt) (position élevée) ou déplacer le commutateur à la position OFF (à droite).
3. Débrancher le réfrigérateur.
4. Nettoyer, essuyer et sécher à fond.
5. À l'aide de ruban adhésif, placer des blocs de caoutchouc ou de bois sur la partie supérieure de chaque porte de façon à ce qu'elles soient suffisamment ouvertes pour permettre l'entrée de l'air à l'intérieur, afin d'éviter l'accumulation d'odeur ou de moisissure.

Déménagement

Lorsque vous déménagez votre réfrigérateur à une nouvelle habitation, suivre ces étapes pour préparer le déménagement.


1. Si votre réfrigérateur a une machine à glaçons automatique :
 - Fermer l'approvisionnement d'eau de la machine à glaçons au moins une journée à l'avance.
 - Débrancher la canalisation d'eau de l'arrière du réfrigérateur.
 - Lorsque la dernière quantité de glaçons est distribuée, soulever le bras de commande métallique à la position OFF (arrêt) (position élevée) ou déplacer le commutateur à la position OFF (arrêt) (à droite).
2. Retirer tous les aliments du réfrigérateur et placer tous les aliments congelés dans de la neige carbonique.
3. Vider le bac à glaçons.
4. Débrancher le réfrigérateur.
5. Nettoyer, essuyer et sécher à fond.
6. Retirer toutes les pièces amovibles, bien les envelopper et les attacher ensemble à l'aide de ruban adhésif pour qu'elles ne bougent pas ni ne s'entrechoquent durant le déménagement.
7. Selon le modèle, soulever le devant du réfrigérateur pour qu'il roule plus facilement OU rétracter les pieds de nivellement pour qu'ils n'égratignent pas le plancher. Voir "Ajustement des portes" ou "Retrait, réglage de l'aplomb et alignement des portes".
8. Fermer les portes à l'aide de ruban adhésif et fixer le cordon d'alimentation électrique au dos du réfrigérateur à l'aide de ruban adhésif.

Lorsque vous arriverez à votre nouveau domicile, remettez tout en place et consultez les instructions d'installation pour des instructions sur la préparation de l'appareil. Aussi, si votre réfrigérateur a une machine à glaçons automatique, n'oubliez pas de raccorder l'approvisionnement d'eau au réfrigérateur.

DÉPANNAGE

Essayer d'abord les solutions suggérées ici ou visiter notre site Internet pour éviter le coût d'une intervention de dépannage.

⚠ AVERTISSEMENT



Risque de choc électrique

Brancher sur une prise à 3 alvéoles reliée à la terre.

Ne pas enlever la broche de liaison à la terre.

Ne pas utiliser un adaptateur.

Ne pas utiliser un câble de rallonge.

Le non-respect de ces instructions peut causer un décès, un incendie ou un choc électrique.

UTILISATION GÉNÉRALE

Causes possibles et/ou solutions recommandées

Le réfrigérateur ne fonctionne pas

- **Non raccordé à une alimentation électrique** - Brancher le cordon d'alimentation dans une prise à 3 alvéoles reliée à la terre. Ne pas utiliser de cordon de rallonge.
- **Pas de courant dans la prise électrique** - Brancher une lampe pour voir si la prise électrique fonctionne.
- **Un fusible est grillé ou un disjoncteur s'est ouvert** - Remplacer le fusible ou réenclencher le disjoncteur. Si le problème persiste, contacter un électricien agréé.
- **Nouvelle installation** - Attendre 24 heures après l'installation pour permettre au réfrigérateur et au congélateur de refroidir complètement.
REMARQUE : Le fait de placer la/les commande(s) de température au réglage le plus froid ne refroidira pas le compartiment (de réfrigération ou de congélation) plus rapidement.

Le moteur semble fonctionner excessivement

- **Votre nouveau réfrigérateur comporte un moteur haute efficacité** - Il est possible qu'il fonctionne plus longtemps que votre appareil précédent car le compresseur et les ventilateurs fonctionnent à des vitesses réduites plus éconergiques. Ceci est normal.
REMARQUE : L'appareil peut fonctionner encore plus longtemps si la température de la pièce est élevée, si une grande quantité de nourriture a été ajoutée, si les portes sont fréquemment ouvertes ou si elles ont été laissées ouvertes.

Le réfrigérateur semble bruyant

Le compresseur de votre nouveau réfrigérateur régule la température plus efficacement et utilise moins d'énergie que les modèles plus anciens. Au cours de différentes étapes du fonctionnement de l'appareil, vous entendrez peut-être des bruits de fonctionnement normaux qui ne vous sont pas familiers.

Les bruits suivants sont normaux :

- **Bourdonnement/Cliquetis** - Se produit lorsque le robinet d'eau s'ouvre et se referme pour distribuer de l'eau ou remplir la machine à glaçons. Si le réfrigérateur est raccordé à une canalisation d'arrivée d'eau, cela est normal. Éteindre la machine à glaçons si le réfrigérateur n'est pas raccordé à une canalisation d'arrivée d'eau.
- **Craquement/Écrasement** - Se produit lorsque la glace est éjectée du moule à glaçons.
- **Bruit d'éclatement** - Se produit lors de la contraction/l'expansion des parois internes, particulièrement lors du refroidissement initial.
- **Pulsation/Frottement rythmique** - Se produit lorsque les ventilateurs/le compresseur s'ajustent pour optimiser la performance de l'appareil pendant son fonctionnement - cela est normal.
- **Vibrations sonores** - Se produit lorsque l'eau circule dans la canalisation d'arrivée d'eau ou lorsque le réfrigérant circule dans l'appareil. Les vibrations peuvent aussi provenir d'objets posés sur le réfrigérateur.
- **Bruit d'écoulement d'eau ou de gargouillement** - Se produit lorsque la glace fond lors du programme de dégivrage et que l'eau s'écoule dans le plateau de dégivrage.
- **Grésillement** - Se produit à mesure que de l'eau goutte sur l'élément de chauffage durant le programme de dégivrage.

La température est trop élevée

- **Nouvelle installation** - Attendre 24 heures après l'installation pour permettre au réfrigérateur et au congélateur de refroidir complètement.
REMARQUE : Le fait de placer la/les commande(s) de température au réglage le plus froid ne refroidira pas le compartiment (de réfrigération ou de congélation) plus rapidement.
- **Les portes sont ouvertes trop fréquemment ou ne sont pas complètement fermées** - Ceci permet à l'air chaud de pénétrer dans le réfrigérateur. Minimiser les ouvertures de porte, garder les portes complètement fermées et s'assurer que l'étanchéité des deux portes est assurée.
- **Les ouvertures d'aération sont obstruées** - Retirer les objets placés devant les ouvertures.
- **Une grande quantité d'aliments chauds a été récemment ajoutée** - Attendre quelques heures pour permettre au réfrigérateur de revenir à une température normale.
- **Le réglage des commandes n'est pas adapté à l'environnement de l'appareil** - Ajuster les commandes à un réglage plus froid. Contrôler à nouveau la température 24 heures plus tard.

La température est trop basse

- **Le réglage des commandes n'est pas adapté à l'environnement de l'appareil** - Ajuster les commandes à un réglage plus chaud. Contrôler à nouveau la température 24 heures plus tard.
- **La tablette supérieure du réfrigérateur est plus froide que les tablettes inférieures** - Sur certains modèles, l'air en provenance du congélateur pénètre dans le compartiment de réfrigération par les événements situés à proximité de la tablette supérieure. La tablette supérieure peut donc être légèrement plus froide que les tablettes inférieures.
- **Les ouvertures d'aération sont obstruées** - Retirer les objets placés devant les ouvertures.

Accumulation d'humidité à l'intérieur de l'appareil

REMARQUE: Une certaine accumulation d'humidité est normale. Nettoyer avec un linge doux et sec.

- **La pièce est humide** - Un environnement humide contribue à l'accumulation d'humidité. Utiliser le réfrigérateur à l'intérieur du domicile uniquement, dans un environnement aussi sec que possible.
- **Les portes sont fréquemment ouvertes ou ne sont pas complètement fermées** - Ceci permet à l'air humide de pénétrer dans le réfrigérateur. Minimiser les ouvertures de porte, garder les portes complètement fermées et s'assurer que l'étanchéité des deux portes est assurée.

UTILISATION GÉNÉRALE**Causes possibles et/ou solutions recommandées**

Les lampes intérieures ne fonctionnent pas

- **Les portes sont restées ouvertes pendant longtemps** - Fermer les portes pour réinitialiser les lampes.
- **Une ampoule est desserrée dans la douille ou grillée** - Sur les modèles possédant des ampoules intérieures à incandescence, serrer ou remplacer les ampoules. Voir "Lampes".

REMARQUE : Sur les modèles équipés de témoins DEL, appeler les numéros fournis pour obtenir de l'aide ou un dépannage si les témoins lumineux intérieurs ne s'allument pas lorsqu'on ouvre une porte. Voir la garantie dans les instructions d'utilisation ou le guide d'utilisation pour savoir qui contacter.

Les lampes du distributeur ne fonctionnent pas (sur certains modèles)

- **La lampe du distributeur est éteinte** - Sur certains modèles, si la lampe du distributeur est réglée à OFF (arrêt), elle ne fonctionne que si l'on appuie sur le levier/la plaque du distributeur. Si l'on souhaite que la lampe du distributeur reste allumée continuellement, sélectionner un autre réglage. Voir "Distributeurs d'eau et de glaçons" dans les instructions d'utilisation ou le guide d'utilisation.
- **La lampe du distributeur est réglée au mode AUTO ou NIGHT LIGHT (veilleuse)** - Sur certains modèles, si la lampe du distributeur est réglée au mode AUTO ou NIGHT LIGHT (veilleuse), s'assurer que le détecteur de lumière du distributeur n'est pas obstrué. Voir "Distributeurs d'eau et de glaçons" dans les instructions d'utilisation ou le guide d'utilisation.

REMARQUE : Sur les modèles équipés de témoins DEL, appeler les numéros fournis pour obtenir de l'aide ou un dépannage si les témoins lumineux du distributeur ne fonctionnent pas correctement. Voir la garantie dans les instructions d'utilisation ou le guide d'utilisation pour savoir qui contacter.

 **AVERTISSEMENT****Risque d'explosion**

Utiliser un produit de nettoyage ininflammable.

Le non-respect de cette instruction peut causer un décès, une explosion ou un incendie.

PORTES ET NIVELLEMENT**Causes possibles et/ou solutions recommandées**

Les portes sont difficiles à ouvrir

- **Les joints sont sales ou collants** - Nettoyer les joints et les surfaces de contact au savon doux et à l'eau tiède. Rincer et sécher avec un linge doux.

Les portes ne ferment pas complètement

- **La porte est bloquée en position ouverte** - Déplacer les aliments sous emballage pour dégager la porte. S'assurer que tous les balconnets et tablettes sont correctement installés. Vérifier que tous les matériaux d'emballage ont été retirés.

Les portes semblent mal alignées

- **L'alignement des portes ou le nivellement du réfrigérateur doit être réalisé** - Voir les instructions concernant le nivellement de l'appareil et l'alignement des portes.

Le réfrigérateur branle et n'est pas stable

- **Le réfrigérateur n'est pas d'aplomb** - Pour stabiliser le réfrigérateur, retirer la grille de la base et abaisser les pieds de nivellement jusqu'à ce qu'ils touchent le plancher. Voir les instructions concernant le nivellement de l'appareil et l'alignement des portes.
-

AVERTISSEMENT



Risque de coupure

Utiliser un verre robuste pour prendre des glaçons.

Le non-respect de cette instruction peut causer des coupures.

GLAÇONS ET EAU

Causes possibles et/ou solutions recommandées

La machine à glaçons ne produit pas ou produit trop peu de glaçons, ou les glaçons produits sont petits/creux

- **Le réfrigérateur n'est pas raccordé à une alimentation en eau ou le robinet d'arrêt d'eau n'est pas complètement ouvert** - Raccorder le réfrigérateur à une alimentation en eau et s'assurer que le robinet d'arrêt est complètement ouvert.
- **La canalisation d'alimentation en eau est déformée** - Une déformation de la canalisation d'alimentation en eau peut réduire le débit de l'eau, réduire la vitesse de production des glaçons, entraîner la production de glaçons de petite taille et/ou creux, ou encore de forme irrégulière. Redresser la canalisation d'eau.
- **La machine à glaçons n'est pas allumée** - Mettre en marche la machine à glaçons. Voir "Machine à glaçons et bac d'entreposage" dans les instructions d'utilisation ou le guide d'utilisation.
- **Nouvelle installation** - Après avoir raccordé le réfrigérateur à une source d'alimentation en eau, vidanger le système d'eau. (Voir "Distributeurs d'eau et de glaçons" dans les instructions d'utilisation ou le guide d'utilisation.) Attendre 24 heures pour que la production de glaçons commence. Attendre 72 heures pour que la production de glaçons soit complète. Jeter les trois premiers lots de glaçons produits.
- **Une grande quantité de glaçons a été récemment prélevée** - Accorder suffisamment de temps à la machine à glaçons pour produire plus de glaçons.
- **Un glaçon est coincé dans le bras éjecteur de la machine à glaçons** - Retirer le glaçon du bras éjecteur avec un ustensile en plastique.
- **Pression en eau inadéquate** - Vérifier que la pression en eau du domicile est adéquate. Voir "Spécifications de l'alimentation en eau".
- **Le filtre à eau est mal installé** - S'assurer que le filtre est correctement installé. Voir "Système de filtration de l'eau" dans les instructions d'utilisation ou le guide d'utilisation.
- **Un système de filtration de l'eau par osmose inverse est raccordé à votre alimentation en eau froide** - Ceci peut réduire la pression de l'eau. Voir "Spécifications de l'alimentation en eau".

REMARQUE : Pour d'autres questions concernant la pression de l'eau, contacter un plombier agréé qualifié.

Le distributeur de glaçons ne fonctionne pas correctement

- **Les portes ne ferment pas complètement** - S'assurer que les deux portes sont bien fermées. (Sur certains modèles, seule la porte du congélateur doit être fermée pour pouvoir utiliser le distributeur.)
- **Nouvelle installation** - Après avoir raccordé le réfrigérateur à une source d'alimentation en eau, vidanger le système d'eau. (Voir "Distributeurs d'eau et de glaçons" dans les instructions d'utilisation ou le guide d'utilisation.) Attendre 24 heures pour que la production de glaçons commence. Attendre 72 heures pour que la production de glaçons soit complète. Jeter les trois premiers lots de glaçons produits.
- **La machine à glaçons n'est pas allumée ou le bac à glaçons n'est pas bien installé** - Mettre en marche la machine à glaçons et s'assurer que le bac d'entreposage à glaçons est fermement en place. Voir "Machine à glaçons et bac d'entreposage" dans les instructions d'utilisation ou le guide d'utilisation.
- **Des glaçons sont agglomérés à l'intérieur du bac d'entreposage à glaçons, ou ils obstruent la goulotte de distribution de glaçons** - Retirer ou séparer les glaçons agglomérés à l'aide d'un ustensile en plastique si nécessaire. Nettoyer la goulotte de distribution des glaçons et le fond du bac d'entreposage à glaçons à l'aide d'un chiffon tiède et humide puis sécher soigneusement ces deux sections. Pour éviter toute agglomération de glaçons et maintenir un approvisionnement frais en glaçons, vider le bac d'entreposage à glaçons et nettoyer à la fois le bac d'entreposage et la goulotte de distribution toutes les 2 semaines.
- **Les glaçons placés dans le bac d'entreposage ne conviennent pas** - Utiliser uniquement des glaçons produits par la machine à glaçons actuelle.
- **Le distributeur est verrouillé** - Déverrouiller le distributeur. Voir "Distributeurs d'eau et de glaçons" dans les instructions d'utilisation ou le guide d'utilisation.
- **Le distributeur à glaçons s'est bloqué pendant qu'il distribuait de la glace concassée** - Pour les modèles comprenant un bac d'entreposage à glaçons dans la porte, pour éliminer l'obstruction, passer temporairement de la glace concassée au mode glaçons.
- **On a appuyé sur la plaque/le levier du distributeur pendant trop longtemps** - Les glaçons cessent automatiquement d'être distribués. Attendre quelques minutes pour que le distributeur soit réinitialisé et reprenne ensuite la distribution. Prendre de grandes quantités de glaçons directement du bac d'entreposage à glaçons et non depuis le distributeur.
- **La pression en eau du domicile est inférieure à 30 lb/po² (207 kPa)** - La pression de l'eau du domicile affecte le débit au niveau du distributeur. Voir "Spécifications de l'alimentation en eau".
- **Le filtre à eau est obstrué ou mal installé** - Remplacer le filtre ou le réinstaller correctement. Voir "Système de filtration de l'eau" dans les instructions d'utilisation ou le guide d'utilisation.

Mauvais goût, odeur ou couleur grisâtre des glaçons ou de l'eau

- **Raccords de plomberie neufs** - Des raccords de plomberie neufs peuvent entraîner une décoloration ou un mauvais goût des glaçons ou de l'eau. Ce problème devrait disparaître avec le temps.
- **Les glaçons ont été entreposés pendant trop longtemps** - Jeter les glaçons et laver le bac à glaçons. Accorder 24 heures à la machine à glaçons pour la fabrication de nouveaux glaçons.
- **L'odeur de certains aliments s'est transférée à l'eau ou aux glaçons** - Utiliser des emballages hermétiques et à l'épreuve de l'humidité pour conserver les aliments.
- **Utilisation d'une canalisation d'alimentation en eau non recommandée** - L'odeur et le goût de certains matériaux utilisés dans des canalisations d'alimentation en eau non recommandées peuvent se transférer à l'eau. Utiliser uniquement une canalisation d'alimentation en eau recommandée. Voir "Spécifications de l'alimentation en eau".
- **L'eau contient des minéraux (tels le soufre)** - L'installation d'un filtre à eau peut être requise afin d'enlever ces minéraux.
- **Le filtre à eau a été récemment installé ou remplacé** - Une décoloration grise ou foncée de la glace ou de l'eau indique que le système de filtration de l'eau nécessite un rinçage supplémentaire. Voir "Distributeurs d'eau et de glaçons" dans les instructions d'utilisation ou le guide d'utilisation.

GLAÇONS ET EAU	Causes possibles et/ou solutions recommandées
Le distributeur d'eau ne fonctionne pas correctement	<ul style="list-style-type: none"> ■ Les portes ne ferment pas complètement - S'assurer que les deux portes sont bien fermées. (Sur certains modèles, seule la porte du congélateur doit être fermée pour pouvoir utiliser le distributeur.) ■ Le réfrigérateur n'est pas raccordé à une alimentation en eau ou le robinet d'arrêt d'eau n'est pas ouvert - Raccorder le réfrigérateur à une alimentation en eau et s'assurer que le robinet d'arrêt est complètement ouvert. ■ La canalisation d'alimentation en eau est déformée - Une déformation de la canalisation d'alimentation en eau peut réduire le débit du distributeur. Redresser la canalisation d'eau. ■ La pression en eau du domicile est inférieure à 30 lb/po² (207 kPa) - La pression de l'eau du domicile affecte le débit au niveau du distributeur. Voir "Spécifications de l'alimentation en eau". ■ Nouvelle installation - Après avoir raccordé le réfrigérateur à une source d'alimentation en eau, vidanger le système d'eau. Voir "Distributeurs d'eau et de glaçons" dans les instructions d'utilisation ou le guide d'utilisation. ■ Le distributeur est verrouillé - Déverrouiller le distributeur. Voir "Distributeurs d'eau et de glaçons" dans les instructions d'utilisation ou le guide d'utilisation. ■ Le filtre à eau est obstrué ou mal installé - Remplacer le filtre ou le réinstaller correctement. Voir "Système de filtration de l'eau" dans les instructions d'utilisation ou le guide d'utilisation. ■ Un système de filtration de l'eau par osmose inverse est raccordé à votre alimentation en eau froide - Ceci peut réduire la pression de l'eau. Voir "Spécifications de l'alimentation en eau". <p>REMARQUE : Pour d'autres questions concernant la pression de l'eau, contacter un plombier agréé qualifié.</p>
De l'eau suinte ou goutte du distributeur	<p>REMARQUE : Il est normal que quelques gouttes s'écoulent de la machine après que l'on a distribué de l'eau.</p> <ul style="list-style-type: none"> ■ On n'a pas gardé le verre sous le distributeur pendant suffisamment longtemps - Maintenir le verre sous le distributeur pendant 2 à 3 secondes après avoir relâché le levier/la plaque du distributeur. ■ L'installation est neuve, le filtre à eau a été récemment installé ou changé - De l'air piégé dans les canalisations peut faire goutter le distributeur d'eau. Rincer le système de distribution d'eau pour évacuer l'air des canalisations. Voir "Distributeurs d'eau et de glaçons" dans les instructions d'utilisation ou le guide d'utilisation. ■ De la glace restée dans la goulotte du distributeur fond - S'assurer qu'il n'y a aucun copeau ou morceau de glace dans la goulotte à glaçons.
De l'eau fuit par l'arrière du réfrigérateur	<ul style="list-style-type: none"> ■ Les raccords des canalisations d'eau ne sont pas bien serrés - S'assurer que tous les raccords sont bien serrés. Voir "Raccordement de la canalisation d'eau".
L'eau du distributeur n'est pas assez froide (sur certains modèles)	<p>REMARQUE : L'eau du distributeur est refroidie à 50 °F (10 °C).</p> <ul style="list-style-type: none"> ■ Nouvelle installation - Attendre 24 heures après l'installation pour que l'alimentation en eau refroidisse complètement. ■ Une grande quantité d'eau a été récemment versée - Attendre 24 heures pour qu'une nouvelle réserve d'eau refroidisse complètement. ■ On n'a pas versé d'eau récemment - Le premier verre d'eau ne sera peut-être pas froid. Jeter le premier verre d'eau distribué. ■ Le réfrigérateur n'est pas raccordé à une canalisation d'arrivée d'eau froide - S'assurer que le réfrigérateur est raccordé à une canalisation d'arrivée d'eau froide. Voir "Spécifications de l'alimentation en eau".

FEUILLE DE DONNÉES SUR LA PERFORMANCE

Système de filtration d'eau Modèle P5WB2L/P4RFWB Capacité 200 gallons (757 litres)



Produit testé et certifié par NSF International en vertu de la norme NSF/ANSI 42 (réduction du goût et de l'odeur du chlore, et particules de classe I*) et en vertu de la norme NSF/ANSI 53 (réduction de kystes actifs, amiante, plomb, lindane, toxaphène, atrazine, et 2,4 - D).

Ce produit a été testé selon les normes NSF/ANSI 42 et 53 pour la réduction des substances énumérées ci-dessous. La concentration de substances indiquées dans l'eau entrant dans le système a été réduite à une concentration moindre ou égale à la limite permmissible pour l'eau qui quitte le système, tel que spécifié dans les normes NSF/ANSI 42 et 53.

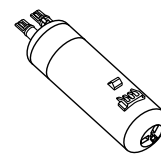
Réd. de substances Effets esthétiques	Critères de réduction NSF	Affluent moyen	Concentration dans l'eau à traiter	Effluent maximal	% de réd. minimale	% de réd. moyenne
Chlore goût/odeur Particules (classe I*)	réduction de 50 % réduction de 85 %	2,0 mg/L 7 300 000 #/mL	2,0 mg/L ± 10 % Au moins 10 000 particules/mL	0,20 mg/L 75 000 #/mL**	97 99	97,2 99,4
Réduction des contaminants	Critères de réduction NSF	Affluent moyen	Concentration dans l'eau à traiter	Effluent maximal	% de réd. minimale	% de réd. moyenne
Kystes actifs [†]	99,95 %	160 000/L	50 000/L min.	54/L [†]	99,97	99,99
Amiante	99 %	87 MFL	10 ⁷ à 10 ⁸ fibres/L ^{††}	0,17 MFL	99	99
Plomb : à pH 6,5 Plomb : à pH 8,5	0,010 mg/L 0,010 mg/L	0,160 mg/L 0,140 mg/L	0,15 mg/L ± 10 % 0,15 mg/L ± 10 %	0,001 mg/L 0,005 mg/L	99,4 98,6	99,4 98,6
Lindane	0,0002 mg/L	0,0019 mg/L	0,002 mg/L ± 10 %	0,00002 mg/L	98,9	99
Toxaphène	0,003 mg/L	0,014 mg/L	0,015 mg/L ± 10 %	0,001 mg/L	93	93
Atrazine	0,003 mg/L	0,0094 mg/L	0,009 mg/L ± 10 %	0,0005 mg/L	94,5	94,7
2,4 - D	0,07 mg/L	0,220 mg/L	0,210 mg/L ± 10 %	0,028 mg/L	87,5	96,1

Paramètres de test : pH = 7,5 ± 0,5 à moins d'indications contraires. Débit = 0,5 gpm (1,9 Lpm). Pression = 60 lb/po² (413,7 kPa). Temp. = 68°F à 71,6°F (20°C à 22°C). Capacité de service nominale = 200 gallons (757 litres).

- Il est important que les critères de fonctionnement, d'entretien et de remplacement du filtre soient respectés pour que le produit donne le rendement annoncé. Des dommages matériels peuvent survenir si toutes les instructions ne sont pas respectées.
- Utiliser la cartouche de remplacement selon votre système de filtration, voir "Glace et eau" dans le Guide de l'utilisateur.
Filtre à eau:
Système de filtration d'eau Style 1 - Référence de commande EDR1RXD1
Système de filtration d'eau Style 2 - Référence de commande EDR2RXD1
Lorsque l'état du filtre à eau passe de l'extinction à la lumière rouge sur votre panneau de commande, il est recommandé de remplacer le filtre.
- Après avoir changé le filtre à eau, vidanger le système de distribution d'eau. Voir "Distributeurs d'eau et de glaçons" ou "Distributeur d'eau" dans les instructions d'utilisation ou le guide d'utilisation.
- Ces contaminants ne sont pas nécessairement présents dans votre approvisionnement d'eau. Même si le test a été effectué dans des conditions de laboratoires standard, le rendement réel peut varier.
- Le produit doit être utilisé pour l'eau froide seulement.
- Le circuit d'eau doit être installé conformément aux lois et règlements locaux et à ceux de l'État concerné.
- Ne pas utiliser pour le filtrage d'une eau microbiologiquement polluée ou de qualité inconnue en l'absence d'un dispositif de désinfection adéquat avant ou après le système. Les systèmes certifiés pour la réduction de kyste peuvent être utilisés pour l'eau désinfectée qui peut contenir des kystes filtrables.
- Consulter la section "Garantie" (dans les instructions d'utilisation ou le guide d'utilisation) pour obtenir le nom, l'adresse et le numéro de téléphone du fabricant.
- Consulter la section "Garantie" (dans les instructions d'utilisation ou le guide d'utilisation) pour voir la garantie limitée du fabricant.

Directives d'application/ Paramètres d'approvisionnement en eau

Source d'eau	Collectivité ou puits
Pression de l'eau	30 - 120 lb/po ² (207 - 827 kPa)
Température de l'eau	33° - 100°F (0,6° - 37,8°C)
Débit nominal	0,5 gpm (1,9 L/min) à 60 lb/po ²



*Classe I - taille des particules : > 0,5 à <1 um

**Exigence de test : au moins 100 000 particules/mL (poussière de test fine AC).

[†]Cas de la filtration de kystes de *Cryptosporidium parvum*

^{††}Fibres de longueur supérieure à 10 um

® NSF est une marque déposée de NSF International.

NOTES

