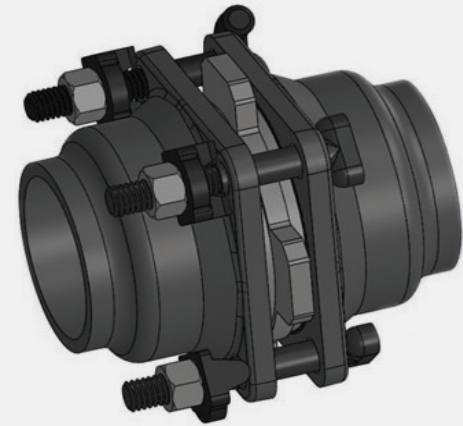
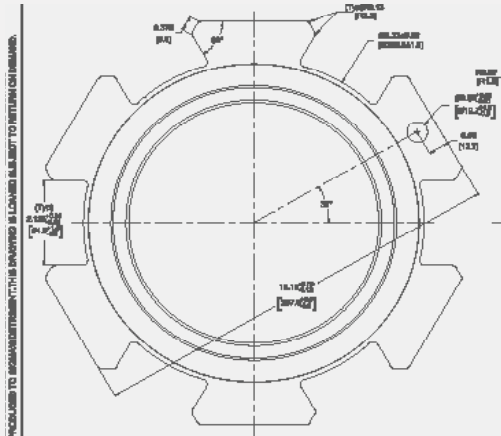


## DUCTILE IRON MECHANICAL JOINT CONNECTOR



### PRODUCT SPECIFICATIONS

- SIZE RANGE:**
- 3" - 36"
- MATERIAL:**
- MJ x MJ Connector and Spacers manufactured from high strength ductile iron in accordance with ASTM A536 Grade 65-45-12.
- PRESSURE RATING:**
- 350 PSI Water Working Pressure 3" - 24"
  - 250 PSI Water Working Pressure 30" & 36"
- TESTING:**
- Manufactured in accordance with ANSI/AWWA C153/A21.53 and ANSI/AWWA C110/A21.10
  - All fittings are hydrostatically tested in accordance with SIGMA Quality Management Standard
  - All fittings are heat coded to ensure traceability and verification of metallurgical properties in accordance with the prevailing standards and SIGMA Quality Management Standards.
- COATING:**
- Interior and exterior of fitting is e-coated
- GASKETS:**
- SBR in accordance with ANSI/AWWA C111/A21.11
- T-BOLTS:**
- Low Alloy corrosion resistant high strength steel in accordance with ANSI/AWWA C111/A21.11
- EYE-BOLTS:**
- Low Alloy corrosion resistant high strength steel in accordance with ANSI/AWWA C111/A21.11
- STANDARDS:**
- Certified to NSF61 Standard
  - ANSI/AWWA C153/A21.53 Ductile Iron Compact Fittings
- INSTALLATION:**
- Per ANSI/AWWA C600 Standard Installation of Ductile-Iron Mains and Their Appurtenances