

**THIS SPACE FOR DESIGNER/ENGINEER APPROVAL**

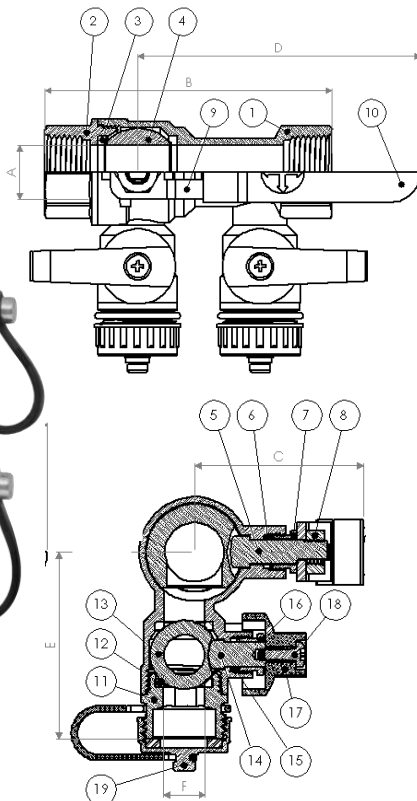
Job/Customer _____	Date _____	Contractor _____
Model Specified _____	Qty _____	Approved By _____
Designer/Engineer _____	Date _____	Contractor's PO# _____
Submitted by _____	Date _____	Other _____

**4861 Series**  
**Full Port Forged Brass Ball Valves**  
**w/ (2) Hi-Flow Hose Drains**  
**IPS**  
**600 WOG**  
**ISO 9001**



ITEM#	SIZE	CTN	CASE	A	B	C	D	E	F
48613	3/4"	1	12	3/4	3 15/16	2 1/8	3 7/8	2 3/8	1/2
48614	1"	1	12	1	4 5/16	2 9/16	4 5/8	2 9/16	1/2
48615	1 1/4"	1	12	1 1/4	4 7/8	2 7/8	4 5/8	2 15/16	3/4
48616	1 1/2"	1	12	1 1/2	5 1/16	3 7/16	5 9/16	3 1/6	3/4

**PATENTED TECHNOLOGY**



NO.	DESCRIPTION	MATERIAL
1	BODY	BRASS
2	END CAP	BRASS
3	SEAT	PTFE
4	BALL	BRASS HCP
5	STEM	BRASS
6	STEM SEAL	PTFE
7	PACKING GLAND	BRASS
8	HANDLE NUT	STAINLESS STEEL
9	HANDLE	STEEL CP
10	HANDLE JACKET	VINYL
11	DRAIN END CAP	BRASS
12	DRAIN SEAT	PTFE
13	DRAIN BALL	BRASS HCP
14	DRAIN STEM	BRASS
15	DRAIN STEM SEAL	PTFE
16	DRAIN PACKING GLAND	BRASS
17	DRAIN VALVE HANDLE	ENAMEL COATED ALUMINUM
18	DRAIN VALVE HANDLE SCREW	BRASS
19	CAP & STRAP	BRASS W/ PVC HOSE WASHER & STRAP

TEMP °F	PSI
100	600
150	490
200	470
250	439
300	411
350	294
366	N/A

**Specifications:** Suitable for residential, commercial or industrial use with water or oil, this valve was specifically designed for filling and draining glycol/antifreeze from any point in a hydronic system. This approved Webstone valve is actuated by a blowout proof stem and features an adjustable packing gland. Threaded ends comply with ANSI B1.20.1.



Quality and Commitment Since 1954

www.webstonevalves.com • P: (800) 225-9529 • F: (800) 336-5133

Webstone product specifications in U.S. customary units are approximate and are provided for reference only. Webstone reserves the right to change or modify product design, construction, specifications or materials without prior notice and without incurring any obligation to make such changes and modifications on Webstone products previously or subsequently sold.

**THIS SPACE FOR DESIGNER/ENGINEER APPROVAL**

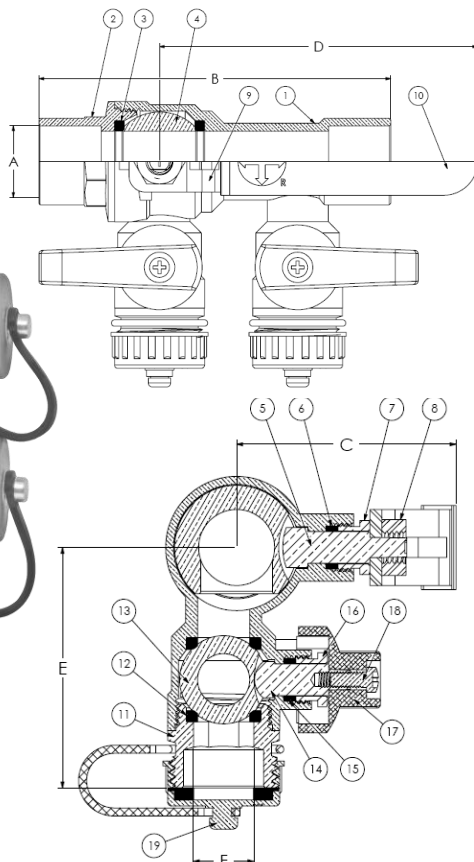
Job/Customer _____	Date _____	Contractor _____
Model Specified _____	Qty _____	Approved By _____
Designer/Engineer _____	Date _____	Contractor's PO# _____
Submitted by _____	Date _____	Other _____

**5861 Series**  
**Full Port Forged Brass Ball Valves**  
**w/ (2) Hi-Flow Hose Drains**  
**CxC**  
**600 WOG**  
**ISO 9001**



ITEM#	SIZE	CTN	CASE	A	B	C	D	E	F
58613	3/4"	1	12	3/4	4 5/16	2 1/8	3 7/8	2 3/8	1/2
58614	1"	1	12	1	4 3/4	2 9/16	4 5/8	2 5/8	1/2
58615	1 1/4"	1	12	1 1/4	5 1/2	2 7/8	4 5/8	3	3/4
58616	1 1/2"	1	12	1 1/2	6	3 7/16	5 9/16	3 1/2	3/4

**PATENTED TECHNOLOGY**



NO.	DESCRIPTION	MATERIAL
1	BODY	BRASS
2	END CAP	BRASS
3	SEAT	PTFE
4	BALL	BRASS HCP
5	STEM	BRASS
6	STEM SEAL	PTFE
7	PACKING GLAND	BRASS
8	HANDLE NUT	STAINLESS STEEL
9	HANDLE	STEEL CP
10	HANDLE JACKET	VINYL
11	DRAIN END CAP	BRASS
12	DRAIN SEAT	PTFE
13	DRAIN BALL	BRASS HCP
14	DRAIN STEM	BRASS
15	DRAIN STEM SEAL	PTFE
16	DRAIN PACKING	BRASS
17	DRAIN VALVE HANDLE	ENAMEL COATED ALUMINUM
18	DRAIN VALVE HANDLE SCREW	BRASS
19	CAP & STRAP	BRASS W/ PVC HOSE WASHER & STRAP

TEMP °F	PSI
100	600
150	485
200	395
250	210
300	N/A
350	N/A
366	N/A

**Specifications:** Suitable for residential, commercial or industrial use with water or oil, this valve was specifically designed for filling and draining glycol/antifreeze from any point in a hydronic system. This approved Webstone valve is actuated by a blowout proof stem and features an adjustable packing gland. Solder joint temperature ratings are per ASME B16.18 Annex A for 95-5 solder. Other solder materials have lower pressure/temperature limits. Do not silver braze or overheat valves when soldering.



Quality and Commitment Since 1954

www.webstonevalves.com • P: (800) 225-9529 • F: (800) 336-5133

Webstone product specifications in U.S. customary units are approximate and are provided for reference only. Webstone reserves the right to change or modify product design, construction, specifications or materials without prior notice and without incurring any obligation to make such changes and modifications on Webstone products previously or subsequently sold.

5861Spec\_10152015

## 8861 Series

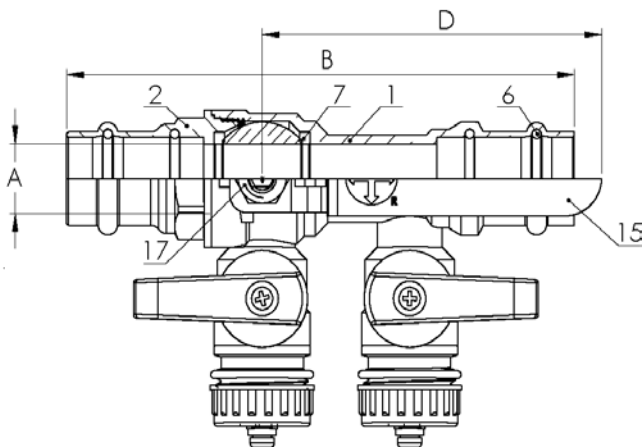
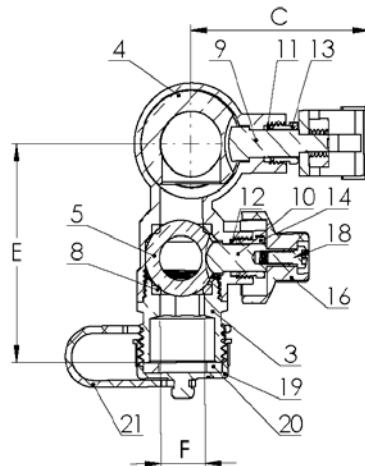
Pro-Pal Purge & Fill  
Full Port Forged Brass Ball Valve  
w/ (2) Hi-Flow Hose Drains,  
Reversible Handle  
& Adjustable Packing Glands  
Press



Max Operating Pressure: 250 CWP

Max Temperature: 250 F

ITEM#	SIZE (in)	CTN	CASE	A	B	C	D	E	F
88613	3/4 x 1/2	1	12	0.75	5.82	2.00	3.36	2.50	0.50
88614	1 x 1/2	1	12	1.00	6.06	2.45	4.65	2.70	0.50
88615	1 1/4 x 3/4	1	12	1.25	7.24	2.73	4.41	3.15	0.75
88616	1 1/2 x 3/4	1	6	1.50	7.45	3.31	5.59	3.35	0.75



NO.	DESCRIPTION	MATERIAL
1	Body	Brass
2	End Cap	Brass
3	Drain End Cap	Brass
4	Ball	Brass
5	Drain Ball	Brass
6	O-Ring	EPDM
7	Seats	PTFE
8	Drain Seats	PTFE
9	Stem	Brass
10	Drain Stem	Brass
11	Packing Gland	PTFE
12	Drain Packing Gland	PTFE
13	Packing Nut	Brass
14	Drain Packing Nut	Brass
15	Handle	Steel CP
16	Drain Handle	Aluminum
17	Handle Nut	Stainless Steel
18	Drain Handle Fastener	Stainless Steel
19	Drain Cap	Brass
20	Drain Cap Gasket	EPDM
21	Drain Cap Strap	PVC

Designed for residential, commercial or industrial use with water, oil or gas. This approved Webstone valve is actuated by a blowout proof stem and features an adjustable packing gland.