

Microwave

FGMO206NTD

24" Built-In



Product Dimensions

Height	13-3/8"
Width	24"
Depth	19-1/8"

More Easy-To-Use Features

One-Touch Options

Our microwaves feature easy-to-use one-touch buttons so you can cook baked potatoes, popcorn or even add 30 seconds with the touch of a button.

Built-In Trim Kit

Optional trim kit available in black stainless trim in 27" or 30" diameter.

Smudge-Proof™ Stainless Steel

Resists fingerprints and cleans easily.

Available in:



Black
Stainless
(D)

Signature Features



Fits-More™ Microwave

Extra-large microwave provides 2.0 cubic feet of cooking space.



Sensor Cooking Options

Microwave automatically adjusts power levels and cooking times to cook a variety of items, effortlessly.



Over 30 Options

Offers multiple settings to meet your cooking needs, including chicken nuggets and snacks.

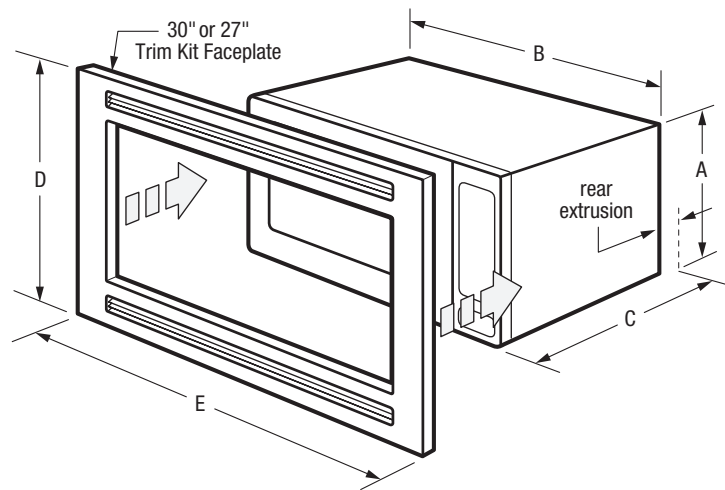


Effortless™ Reheat

Reheat almost anything at the touch of a button.

Features	
Control/ Timing System	Express-Select®
Exterior Door Finish	Smudge-Proof™ Black Stainless Steel
Handle Design	Push Button
Microwave Capacity (Cu.Ft.)	2.0
Convection	
Watts (IEC-705 Test Procedure)	1,200
Interior Light	Yes
Interior Color	White
Turntable Diameter	16"
Turntable On/Off	
Control Lock	
Clock	Yes
Touch Pad Buttons	22
Power Levels	10
Accessory Metal Rack	
Microwave Control Options	
Popcorn Button	Yes
Chicken Nugget Button	
Baked Potato Button	Yes
Sensor Reheat Button	5
Snack Button	
Beverage	
Melt & Soften Options	4
Auto Reheat Options	
Snack Menu Options	
Auto Cook Options	
Auto Defrost Options	6
Multi-Stage Cooking Option	
Keep Warm	
Add-30-Seconds	Yes
Sensor Cooking Options	5
Vegetable Cook Sensor	4
Delay Start	Yes
User Preferences	Yes
Power Ratings	
Frequency (MHz)	2,450
Watts @ 120 Volts	1,200
Amps @ 120 Volts	14.3
Optional Accessories	
30" Black Stainless Steel Trim Kit	PN# MWTK30KD
27" Black Stainless Steel Trim Kit	PN# MWTK27KD
Specifications	
Oven Interior (HxWxD)	10-1/2" x 17-3/8" x 18-5/8"
Power Supply Connection Location	Right Top Rear
Voltage Rating	120V / 60Hz / 15 or 20A
Connected Load (kW Rating) @ 120 Volts¹	1.7
Minimum Circuit Required (Amps)	15
Shipping Weight (Approx.)	46 Lbs.

¹For use on adequately wired 120V, dedicated circuit having 2-wire service with a separate ground wire. Appliance must be grounded for safe operation.



NOTE: For planning purposes only. Always consult local and national electric codes. Refer to Product Installation Guide for detailed installation instructions on the web at frigidaire.com.



Product Dimensions		Cutout Dimensions	
A - Height	13-3/8"	Height (Min.)	16-3/4"
B - Width	24"	Height (Max.)	17"
C - Depth	19-1/8"	Width (Min.)	24-3/4"
D - Height (Trim Kit Faceplate)	18-1/8"	Width (Max.)	25"
E - Width (Trim Kit Faceplate)	30" / 27"	Depth (Min.)	20"

Accessories information available on the web at frigidaire.com

FRIGIDAIRE

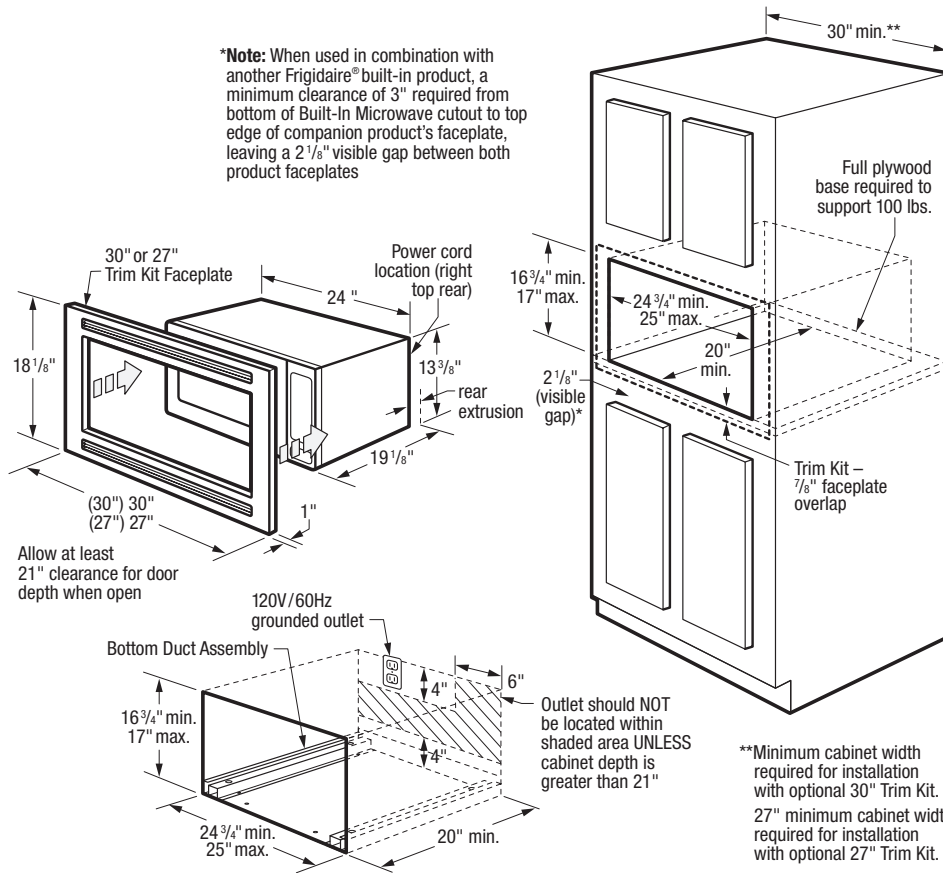
USA • 10200 David Taylor Drive • Charlotte, NC 28262 • 1-800-FRIGIDAIRE • frigidaire.com
CANADA • 5855 Terry Fox Way • Mississauga, ON L5V 3E4 • 1-800-265-8352 • frigidaire.ca

FGMO206NT 03/17

© 2017 Electrolux Home Products, Inc.

Specifications subject to change.

***Note:** When used in combination with another Frigidaire® built-in product, a minimum clearance of 3" required from bottom of Built-In Microwave cutout to top edge of companion product's faceplate, leaving a 2 1/8" visible gap between both product faceplates



Microwave Specifications

- Product Shipping Weight (Approx.) - 46 Lbs. (not incl. Trim Kit)
- Voltage Rating - 120V/60 Hz/15 or 20 Amps
- Connected Load (kW Rating) @ 120 Volts = 1.7 kW (For use on adequately wired 120V, dedicated circuit having 2-wire service with a separate ground wire. Appliance must be grounded for safe operation.)
- Amps @ 120 Volts = 14.3 Amps
- Always consult local and national electric codes.
- Microwave can stand alone on countertop or be built in with optional 30" or 27" Trim Kit (ordered by individual part number) which includes Bottom Duct Assembly - shipped in separate box.
- Allow 21" minimum clearance for 90° door swing.
- Minimum 20" deep oven cutout dimension is critical for proper installation for oven and faceplate to fit flush against cabinet front.
- Consult local building code, in the event that cutout opening may be required to be enclosed with sides, ceiling and rear partition.
- Full oven base of solid plywood or similar material required, capable of supporting 100 Lbs.

- Base must be level and front of cabinet square for proper operation.
- Grounded outlet should NOT be located in shaded area, as indicated, UNLESS cabinet depth is greater than 21".
- Can NOT be installed above any gas wall oven.
- Built-In Microwave is approved to be used in combination with any Frigidaire® Electric Single Wall Oven and/or Warmer Drawer. (Refer to model-specific Combination Installation Specification pages on web.)
- When used in combination with another Frigidaire® built-in product, a minimum clearance of 2-7/8" required from bottom of Built-In Microwave cutout to top edge of companion product's faceplate, leaving a 2" visible gap between both product faceplates.

Note: For planning purposes only. Refer to Product Installation Guide on the web at frigidaire.com for detailed instructions

Optional Accessories

- 30" Black Stainless Steel Trim Kit - (PN# MWTK30KD).
- 27" Black Stainless Steel Trim Kit - (PN# MWTK27KD).

