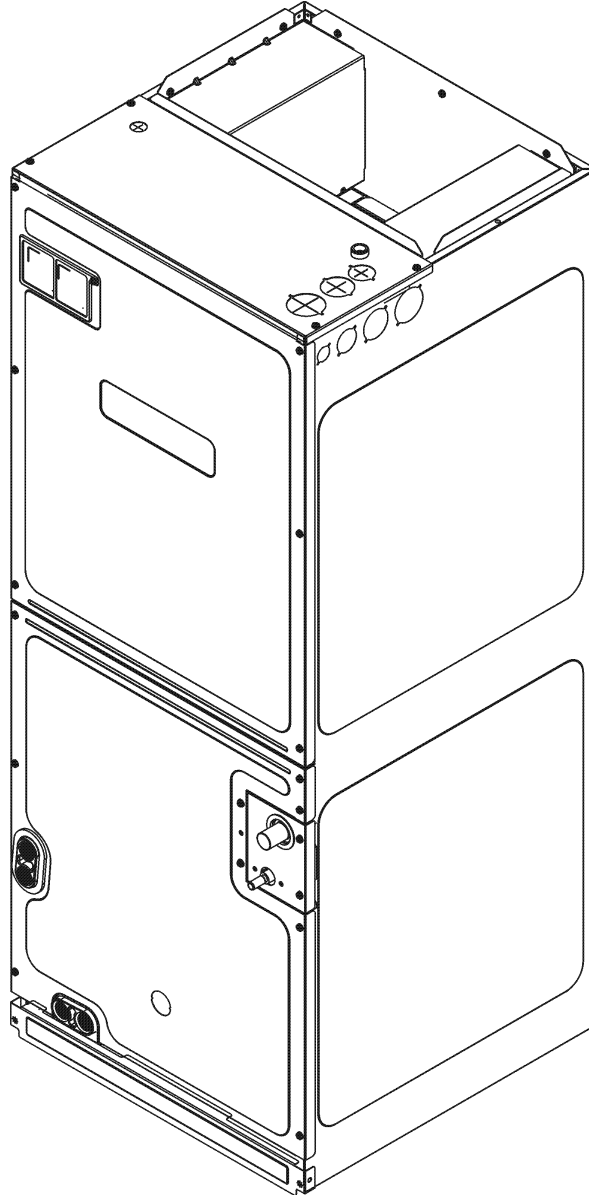


# REPAIR PARTS

---

## ASPT Air Handler

ASPT25B14AA  
ASPT29B14AA  
ASPT37B14AA  
ASPT37C14AA  
ASPT47C14AA  
ASPT47D14AA  
ASPT49D14AA  
ASPT59C14AA  
ASPT61D14AA



This manual is to be used by qualified technicians only.

This manual replaces RP-4007.

© 2015 Goodman Manufacturing Company, L.P. ♦ 5151 San Felipe St., Suite 500 ♦ Houston, TX 77056

# Important Information

---

## Index

Functional Parts List .....	3
Illustration and Parts .....	4 - 9

*Views shown are for parts illustrations only, not servicing procedures*

### Text Codes:

AR - As Required

NA - Not Available

NS - Not Shown

00000000 - See Note

QTY - Quantity Example (QTY 3) (If Quantity not shown, Quantity = 1)

M - Model Example (M1) (If M Code not shown, then part is used on all Models)

### Expanded Model Nomenclature:

Example M1 - Model#1 M2 - Model#2 M3 - Model#3
---

Goodman Manufacturing Company, L.P. is not responsible for personal injury or property damage resulting from improper service. Review all service information before beginning repairs.

Warranty service must be performed by an authorized technician, using authorized factory parts. If service is required after the warranty expires, Goodman Manufacturing Company, L.P. also recommends contacting an authorized technician and using authorized factory parts.

Goodman Manufacturing Company, L.P. reserves the right to discontinue, or change at any time, specifications or designs without notice or without incurring obligations.

For assistance within the U.S.A. contact:  
Consumer Affairs Department  
Goodman Manufacturing Company, L.P.  
7401 Security Way  
Houston, Texas 77040  
877-254-4729-Telephone  
713-863-2382-Facsimile

For assistance outside the U.S.A. contact:  
International Division  
Goodman Manufacturing Company, L.P.  
7401 Security Way  
Houston, Texas 77040  
713-861-2500-Telephone  
713-863-2382-Facsimile

# Functional Parts

## Part

**No:**            **Description:**

---

D6723306	BLOWER WHEEL (M5, M6, M8)
B1368058	BLOWER WHEEL 10 X 8 (M4)
0131M00608	MOTOR 1 HP PROGRAMMED (M7)
0131M00728	MOTOR 3/4 HP MOTOR PROGRAMMED (M1, M2)
0131M00727	MOTOR 3/4 HP MOTOR PROGRAMMED (M3, M4, M5, M6)
0131M00606	MOTOR, 1 HP PROGRAMMED (M8, M9)
0130M00129	RELAY, WCK
0130M00138	TRANSFORMER 208/230, 24V
0151R00133	VALVE, TXV R-410A (M5, M8)
0151R00131	VALVE, TXV R-410A (M3, M4, M6, M7)
0151R00130	VALVE, TXV R-410A (M1, M2)
0151R00096	VALVE, TXV R-410A (M9)

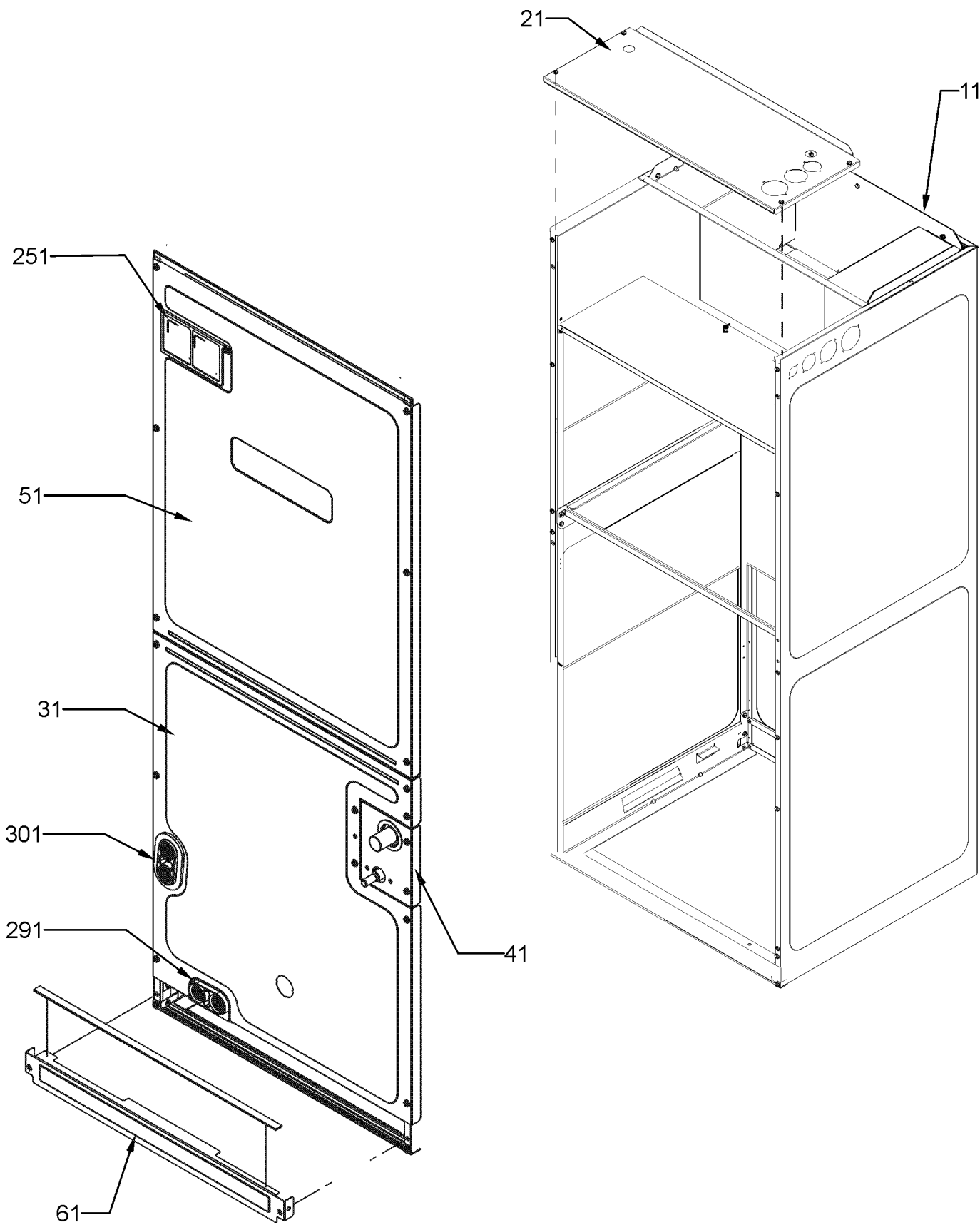
## SPECIAL PARTS

PKCG-4001J            PISTON KIT

## Expanded Model Nomenclature

M1 - ASPT25B14AA
M2 - ASPT29B14AA
M3 - ASPT37B14AA
M4 - ASPT37C14AA
M5 - ASPT47C14AA
M6 - ASPT47D14AA
M7 - ASPT49D14AA
M8 - ASPT59C14AA
M9 - ASPT61D14AA

# Cabinet Assy



# Cabinet Assy

Ref. Part No: No:	Description:	Ref. Part No: No:	Description:
-------------------	--------------	-------------------	--------------

**Image 1:**

11	0121A00455PDG	WRAPPER (M6)
11	0121A00456PDG	WRAPPER (M4, M5, M8)
11	0121A00458PDG	WRAPPER (M2, M3)
11	0121A00276PDG	WRAPPER, LARGE, PAINTED (M7, M9)
11	0121A00281PDG	WRAPPER, SM, PAINTED (M1)
21	0121A00373PDG	UPPER TIE PLATE (M1, M2, M3)
21	0121A00374PDG	UPPER TIE PLATE (M4, M5, M8)
21	0121A00375PDG	UPPER TIE PLATE (M6, M7, M9)
31	0121A00460PDG	LOWER ACCESS PANEL (M6)
31	0121A00461PDG	LOWER ACCESS PANEL (M4, M5, M8)
31	0121A00463PDG	LOWER ACCESS PANEL (M2, M3)
31	0121A00618PDG	LOWER ACCESS PANEL (M7, M9)
31	0121A00620PDG	LOWER ACCESS PANEL (M1)
41	0121A00658PDG	REFRIGERATION TUBING PANEL
51	0121A00609PDG	UPPER ACCESS PANEL (M6, M7, M9)
51	0121A00610PDG	UPPER ACCESS PANEL (M4, M5, M8)
51	0121A00611PDG	UPPER ACCESS PANEL (M1, M2, M3)
61	0121A00242PDG	FILTER ACCESS PANEL (M1, M2, M3)
61	0121A00243PDG	FILTER ACCESS PANEL (M4, M5, M8)
61	0121A00244PDG	FILTER ACCESS PANEL (M6, M7, M9)
251	0161A00034	PLASTIC BREAKER INSERT
NS	0163A00026	THUMB SCREW (QTY 2)

**Expanded Model Nomenclature**

M1 - ASPT25B14AA
M2 - ASPT29B14AA
M3 - ASPT37B14AA
M4 - ASPT37C14AA
M5 - ASPT47C14AA
M6 - ASPT47D14AA
M7 - ASPT49D14AA
M8 - ASPT59C14AA
M9 - ASPT61D14AA

# Control Panel / Coil Assy

IMAGE 1

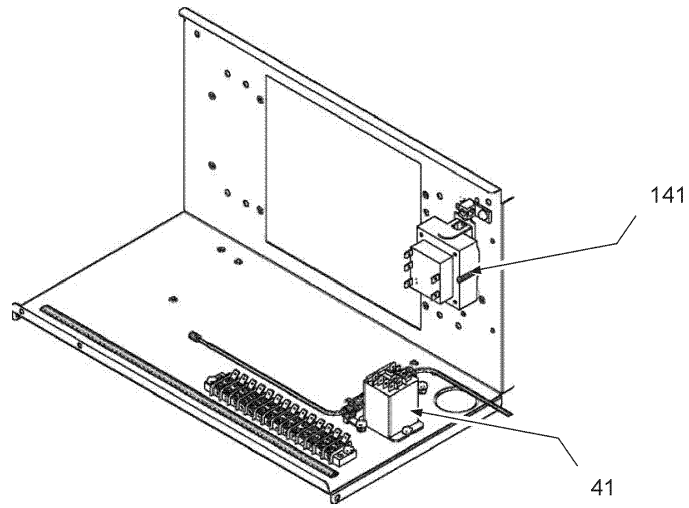
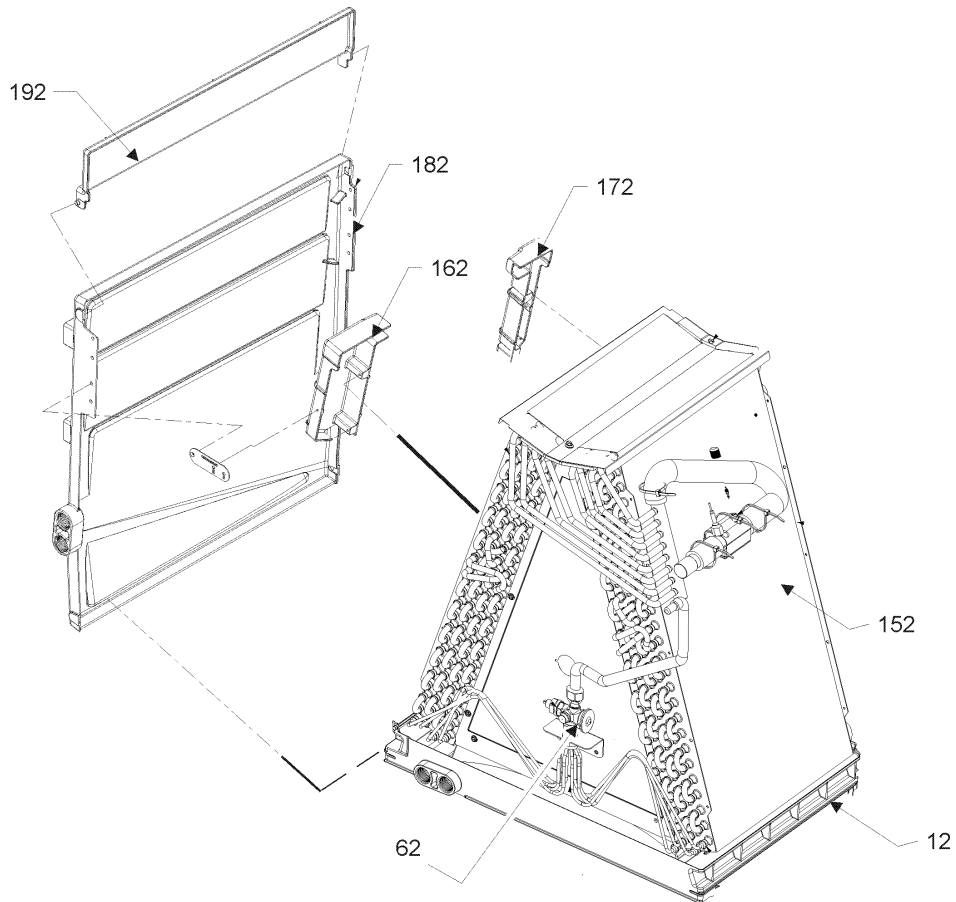


IMAGE 2



# Control Panel / Coil Assy

Ref. Part No: No:	Description:	Ref. Part No: No:	Description:
-------------------	--------------	-------------------	--------------

**Image 1:**

41	0130M00129	RELAY, WCK
141	0130M00138	TRANSFORMER 208/230, 24V
NS	0259A00012P	WIRE ASSY, 9 PIN FEMALE CONN.
NS	0130M00021	WIRE HARNESS, X-13 LOW VOLTAGE
NS	0130M00022	X-13 POWER HARNESS

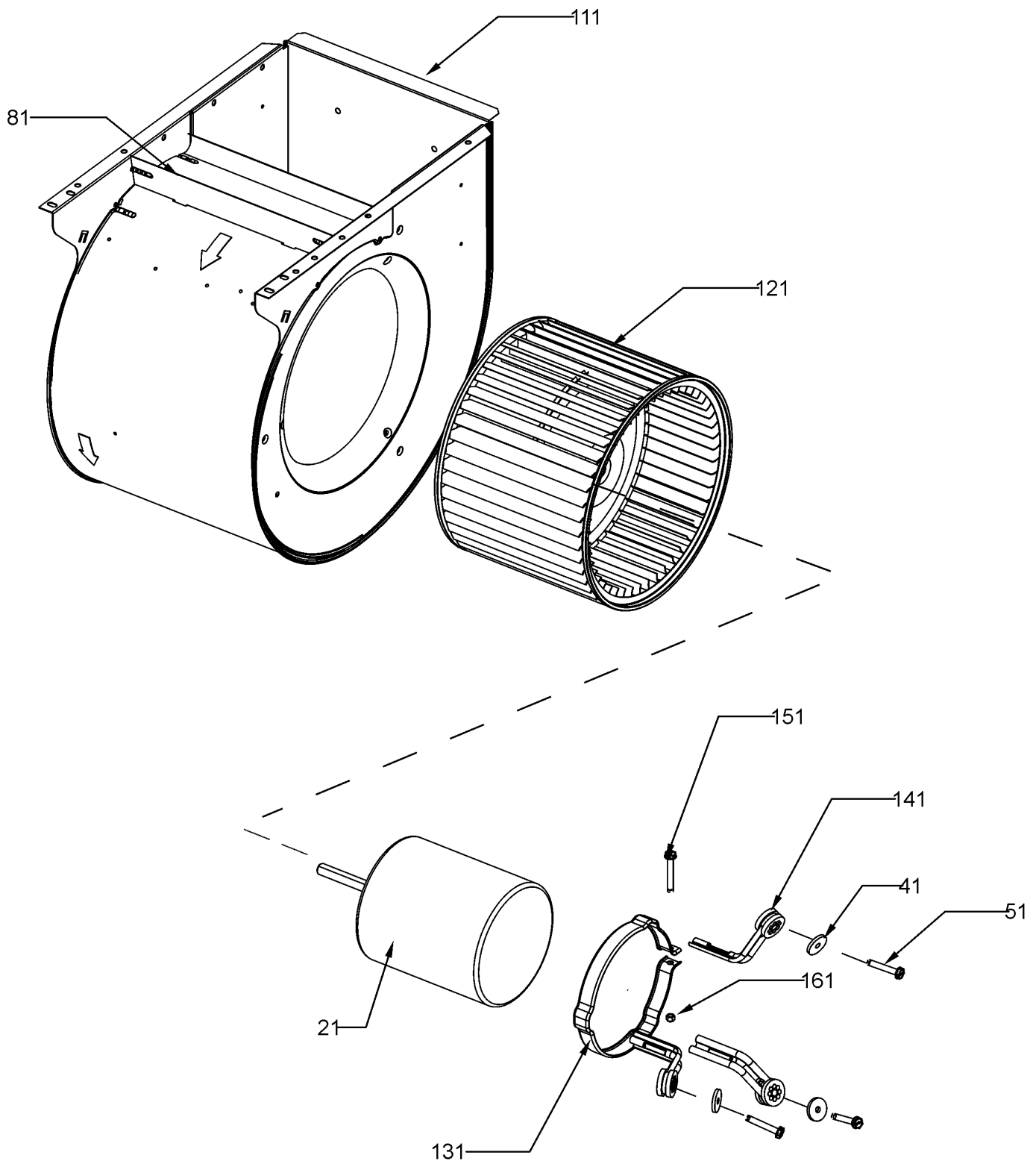
**Image 2:**

12	0161A00049	VERTICAL DRAINPAN (M1, M2, M3)
12	0161A00051	VERTICAL DRAINPAN (M6, M7, M9)
12	0161A00052	VERTICAL DRAINPAN (M4, M5, M8)
62	0151R00096	VALVE, TXV R-410A (M9)
62	0151R00130	VALVE, TXV R-410A (M1, M2)
62	0151R00131	VALVE, TXV R-410A (M3, M4, M6, M7)
62	0151R00133	VALVE, TXV R-410A (M5, M8)
152	0270A00854	COIL TUBING ASSEMBLY (M2)
152	0270A00855	COIL TUBING ASSEMBLY (M4)
152	0270A00857	COIL TUBING ASSEMBLY (M6)
152	0270A00903	COIL TUBING ASSEMBLY (M1)
152	0270A00904	COIL TUBING ASSEMBLY (M9)
152	0270A01030	COIL TUBING ASSEMBLY (M3)
152	0270A01031	COIL TUBING ASSEMBLY (M5)
152	0270A01032	COIL TUBING ASSEMBLY (M8)
152	0270A01034	COIL TUBING ASSEMBLY (M7)
162	0161A00060	CONDENSATE, COLLECT, FRONT
172	0161A00061	CONDENSATE, COLLECT, BACK
182	0161A00053	DRAIN PAN HORIZONTAL, TALL (M2, M3, M4, M5, M6, M7, M8, M9)
192	0161A00054	DRAIN PAN, EXTENSION, SMALL (M1, M2, M3, M4, M5, M6, M8)
192	0161A00056	DRAIN PAN, EXTENSION, TALL (M7, M9)
292	0154A00006BL	Gasket, Drain Pan
302	0154A00007BL	Gasket, Drain Pan
NS	0163M00175	CAP WITH O-RING
NS	PKCG-4001J	PISTON KIT
NS	B1787000	VALVE CORE

**Expanded Model Nomenclature**

M1 - ASPT25B14AA
M2 - ASPT29B14AA
M3 - ASPT37B14AA
M4 - ASPT37C14AA
M5 - ASPT47C14AA
M6 - ASPT47D14AA
M7 - ASPT49D14AA
M8 - ASPT59C14AA
M9 - ASPT61D14AA

# Blower Components





# Blower Components

Ref. Part No:	No:	Description:	Ref. Part No:	No:	Description:
<b>Image 1:</b>					
21	0131M00608	MOTOR 1 HP PROGRAMMED (M7)			
21	0131M00727	MOTOR 3/4 HP MOTOR PROGRAMMED (M3, M4, M5, M6)			
21	0131M00728	MOTOR 3/4 HP MOTOR PROGRAMMED (M1, M2)			
21	0131M00606	MOTOR, 1 HP PROGRAMMED (M8, M9)			
41	B1392918	WASHER, FLAT 1/4 ID X 1 OD (QTY 3)			
51	M0250565	TC SCREW 1.25" (QTY 3)			
81	764741	BLOWER BLOCK-OFF 10 X 10 (M5, M6, M8)			
81	764740	BLOWER BLOCK-OFF 10 X 8 (M4)			
111	0271A00016	BLOWER HOUSING ASSY 10 X 10 (M5, M6, M8)			
111	0271A00029	BLOWER HOUSING ASSY 10 X 8 (M4)			
111	0271A00206	BLOWER SHELL ASSY (M7, M9)			
111	0271A00299	BLOWER SHELL ASSY 9X6,MORRISON (M1, M2, M3)			
121	D6723306	BLOWER WHEEL (M5, M6, M8)			
121	B1368058	BLOWER WHEEL 10 X 8 (M4)			
131	0121M00038	MOTOR MOUNT BAND (M1, M2, M3, M4)			
131	0121M00039	MOTOR MOUNT BAND (HEAVY DUTY) (M5, M6, M7, M8, M9)			
141	B1376853	MOTOR MOUNT ARM (M4)			
141	B1376861	MOTOR MOUNT ARM (M1, M2, M3)			
141	B1376863	MOTOR MOUNT ARM (HEAVY DUTY) (M5, M6, M7, M8, M9)			
151	B1393323	MACHINE SCREW HWH 1/4-20 X 1-1/2 BZ			
161	B1393800	LOCKNUT, NYLON, INSERT 1/4, 20			

**Expanded Model Nomenclature**

- M1 - ASPT25B14AA
- M2 - ASPT29B14AA
- M3 - ASPT37B14AA
- M4 - ASPT37C14AA
- M5 - ASPT47C14AA
- M6 - ASPT47D14AA
- M7 - ASPT49D14AA
- M8 - ASPT59C14AA
- M9 - ASPT61D14AA