

## PIT+PLUS® JR - PREMIUM SIMPLEX SYSTEMS

### APPLICATIONS

Collection of sewage, drainage or seepage water

### FEATURES

- Roto-molded polyethylene basin 24" x 24" (61 cm x 61 cm)
- Radial rib design for extra strength
- Molded inlet hub
- Molded anti-torque stops
- 360° molded handle
- Integrated anti-floatation collar
- Optional alarm versions
- Pre-assembled
- Functional and aesthetic finish cover
- Pump access cover
- Recessed discharge and vent location
- Independent recessed switch module
- Monolithic molded basin top
- Switch cord grips and locators for directional control
- 4/10 hp or 1/2 hp sewage pump option available



### SERIES SPECIFICATIONS

Item No.	Model No.	Vent	Discharge	Switch Type	Alarm	HP
509673	9JF2V2D	2"	2"	Float	-	4/10
509674	9JF2V2DA1	2"	2"	Float	Indoor	4/10
509675	9JF2V2DA3	2"	2"	Float	Indoor/Outdoor	4/10
509676	9JF2V3D	2"	3"	Float	-	4/10
509677	9JF2V3DA1	2"	3"	Float	Indoor	4/10
509678	9JF2V3DA3	2"	3"	Float	Indoor/Outdoor	4/10
509679	9JF3V2D	3"	2"	Float	-	4/10
509680	9JF3V2DA1	3"	2"	Float	Indoor	4/10
509681	9JF3V2DA3	3"	2"	Float	Indoor/Outdoor	4/10
509682	9JF3V3D	3"	3"	Float	-	4/10
509683	9JF3V3DA1	3"	3"	Float	Indoor	4/10
509684	9JF3V3DA3	3"	3"	Float	Indoor/Outdoor	4/10
509687	9JP2V2D	2"	2"	ECM	-	4/10
509688	9JP2V2DA1	2"	2"	ECM	Indoor	4/10
509691	9JP3V2D	3"	2"	ECM	-	4/10

511673	10JF2V2D	2"	2"	Float	-	1/2
511674	10JF2V2DA1	2"	2"	Float	Indoor	1/2
511675	10JF2V2DA3	2"	2"	Float	Indoor/Outdoor	1/2
511676	10JF2V3D	2"	3"	Float	-	1/2
511677	10JF2V3DA1	2"	3"	Float	Indoor	1/2
511678	10JF2V3DA3	2"	3"	Float	Indoor/Outdoor	1/2
511679	10JF3V2D	3"	2"	Float	-	1/2
511680	10JF3V2DA1	3"	2"	Float	Indoor	1/2
511681	10JF3V2DA3	3"	2"	Float	Indoor/Outdoor	1/2
511682	10JF3V3D	3"	3"	Float	-	1/2
511683	10JF3V3DA1	3"	3"	Float	Indoor	1/2
511684	10JF3V3DA3	3"	3"	Float	Indoor/Outdoor	1/2
511687	10JP2V2D	2"	2"	ECM	-	1/2
511688	10JP2V2DA1	2"	2"	ECM	Indoor	1/2

Note: Check valve not included.



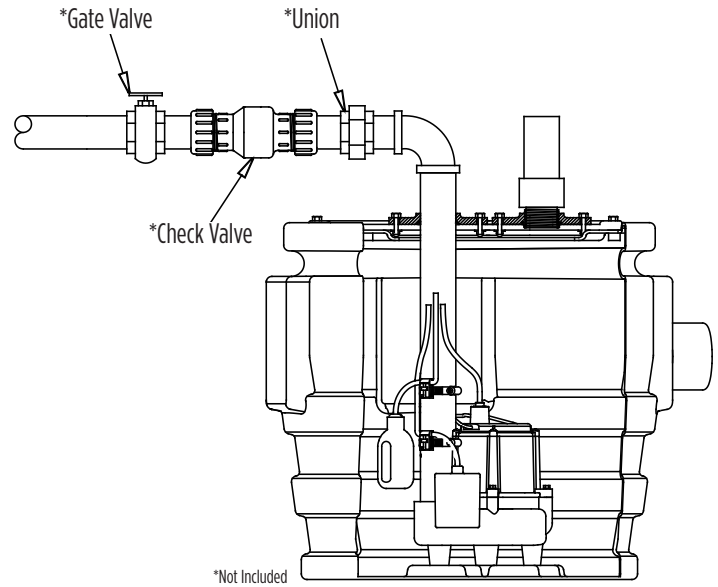
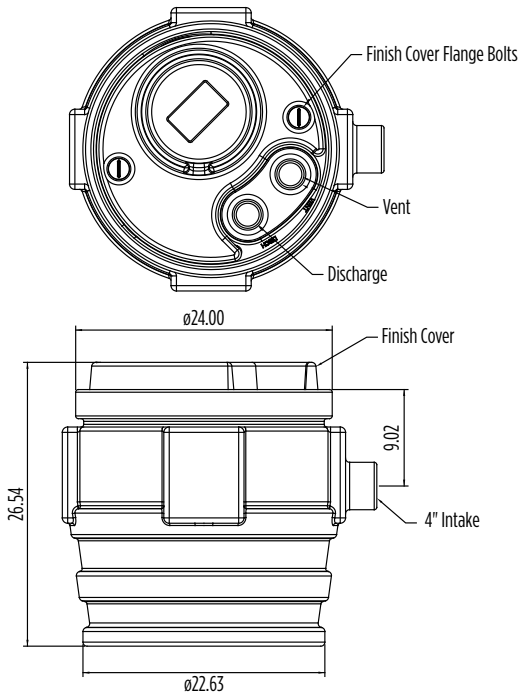
Basin Assemblies			
Item No.	Model No.	Vent	Discharge
513615	PPJ2V2D	2"	2"
513616	PPJ2V3D	2"	3"
513617	PPJ3V3D	3"	3"
513618	PPJ3V2D	3"	2"

Note: Pump and switch assembly not included.

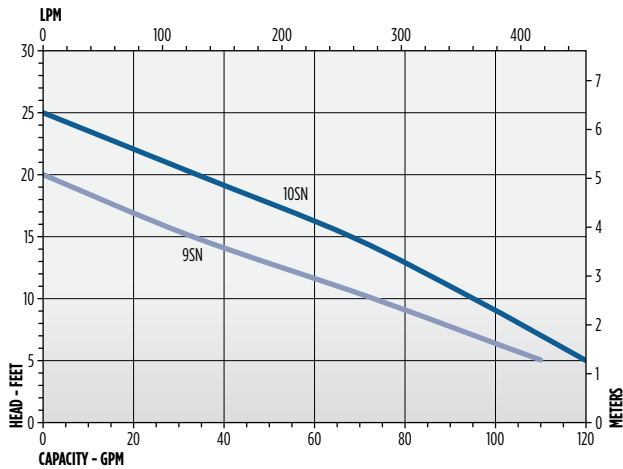
# PACKAGE SYSTEMS

## PIT+PLUS® JR - PREMIUM SIMPLEX SYSTEMS

### ENGINEERING DATA



### PERFORMANCE DATA



### FLOAT AND ECM™ ASSEMBLIES



Float Assemblies		
Item No.	Model No.	Description
513633	PPJFNA	Junior Float Assy, No Alarm Hardware
513634	PPJFWA	Junior Float Assy, W/Alarm Hardware

ECM™ Assemblies		
Item No.	Model No.	Description
513637	PPJENA	Junior ECM Assy, No Alarm Hardware
513638	PPJEWA	Junior ECM Assy, W/Alarm Hardware