

### SS-SHV1.2

### SINGLE CONTROL PROGRESSIVE VALVE

#### Note:

- USE TEFLON TAPE OR PIPE SEALANT FOR THREADED CONNECTIONS
- DO NOT USE PLUMBER'S PUTTY ON ANY OF THE BRASS COMPONENTS  
This will cause the finish to tarnish and void the warranty. A non-corrosive Alkoxy Silicone is recommended.
- DURING SWEATING OF LINES DO NOT OVERHEAT CASTING  
Overheating may cause damage to internal mechanism and void the manufacturer's warranty as well as increase the risk of scalding.
- COPPER ADAPTORS MAY BE REQUIRED TO COMPLETE YOUR INSTALLATION

#### Diagram A

Measurements are from the tip of the stem to the finished wall

HANDLE TRIM #	MEASUREMENT (IN.)	HANDLE TRIM #	MEASUREMENT (IN.)	HANDLE TRIM #	MEASUREMENT (IN.)	HANDLE TRIM #	MEASUREMENT (IN.)
A	3	CC40/ 41/ 42	2 ¼	J5/ J6	2 ½	U3 to U7	3 ¼
AA	3 ¼	CC51	1 ¾	KK	2 ¼	U8	1 ¾
AQ	2	CC61	2 ½	L4/ L5/ L6/L8	1 ¾	V	2 ¼
AX	3	CL14/ CL15	2 5/8	MZ4/MZ5	2 7/8	V1	1 ½
AZ1	2 ½	CL16	2 1/8	N2/ N3/ N4	2 ¼	V2/W	2
B4/ B5	3	CRY4	3 1/8	N5	2 ½	WA/ WB/WC/WD	2 ½
B9	2 1/8	CRY5	2 7/8	R1/ R2	1 ½	WW	3 ½
BB/ CC	3 ¼	D	3	R3	2 ¼	X	2 ¾
BG4/BG5	2 ¾	D5/ D6	2 ½	S	2 ¾	XJ/ XM/ XN	2
BL1	1 3/8	DD	3 ¼	S1/S1A/S2/S3	2 ¼	XO/ XQ	2
BL2/ BL3	1 ½	DD2/ DD3	1 7/8	SA1	2 ¾	XX	3
BK	1 5/8	E/ F/G	3	SA2/ SW	3	Y	2 ¾
BV01/ BV02	3	E1♦/ E2♦	1	SP4/ SP5	2 1/8	Y2	2 ¼
BV05	2	ED1/ ED4	1 ¼	T/T1/T4	2 ½	YY	3
BV09	3	ED2/ ED3	1 3/8	T6/ T7/ T8/ T9	3	Z	2 ¾
BV13	2 ½	EV4	1 7/8	TIA/ TIB	1 3/4	ZZ	3
BV81	2 ¼	H	3 ¼	TR14/ TR15	3	ZEN	1 1/8
CC11	2 ½	H4	2 ¼	TR24/ TR25	2 1/8		
CC20/ 21/ 22	2 ¼	HH/ I	3	U	2 ½		
CC30/ CC31	3	IN14/IN16	3	U1	3 ½		

**NOTE: WHEN FITTING HANDLE IT MAY BE NECESSARY TO SHORTEN BROACH STEM AND/ OR THREADED NIPPLE TO MINIMIZE GAP BETWEEN HANDLE AND ESCUTCHEON.**

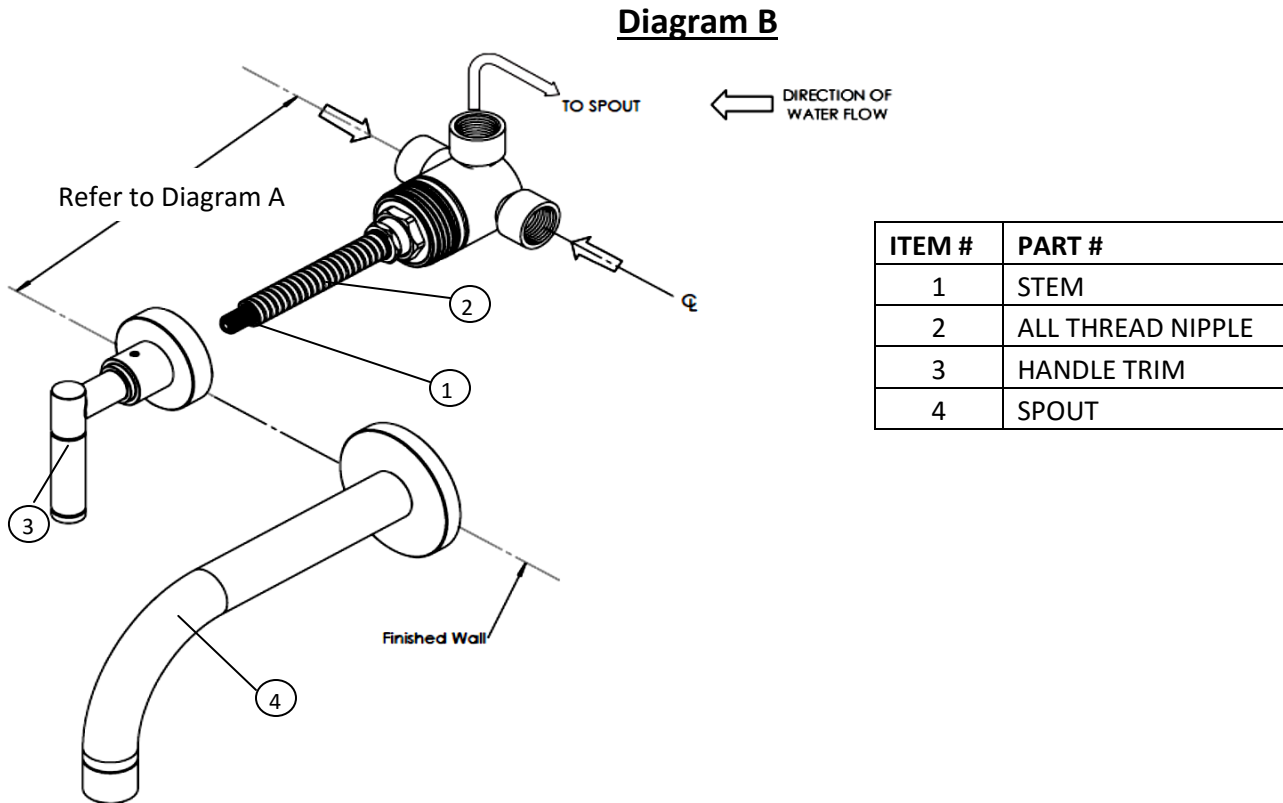
#### Valve Installation

1. Carefully remove all parts from the box. These units should contain the parts as shown in Diagram B.
2. Place the valve rough body in position according to installation Diagram A.
  - **Measure from the tip of the stem to the finished wall.**
3. Sweat lines so that water follows arrow on valves.

4. Test valve after it is installed.

**Note:** Valve will not operate unless both Hot and Cold water supplies are turned on.

- Run valve for 30 seconds and check for leaks.



5. Once valve has been tested proceed to close wall. Be sure to leave holes large enough to access the stem.

- **NOTE:** Hole should be kept to 1 5/8" to maintain access to stem.

6. Install Trim.

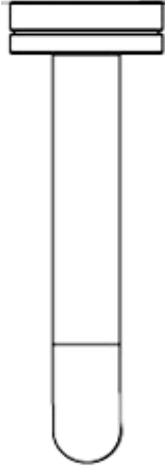
- Mount and hand tighten escutcheon to all thread nipples.
- Install handle on valve. Stems can be cut down if necessary.
- **NOTE:** Female thread is 2" deep.
- If valve is set too far in the wall, 1" extension kits may be ordered: Model # SS-EXT20.

7. Install lavatory spout.

- Connect brass threaded nipple from the center of the tee connection to the lavatory spout. It may be necessary to cut down the nipple. Refer to Diagram C.
  - **\*NOTE:** For 35, 97 and 125 series spouts, remove the nipple from spout when installing to prevent breaking
  - Trims with spout from Group A require the nipple to extend 1/2" beyond the finished wall.
  - Trims with spouts from Group B require the nipple to be recessed 1/2" behind the finished wall.
  - Trims with spouts from Group C require a female nipple to be recessed 1/2" behind the finished wall.

### Diagram C

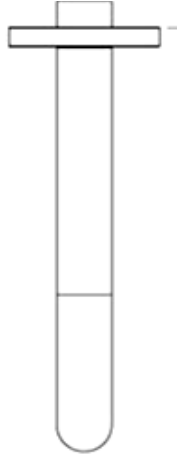
FLUSH CONNECTION 1/2" NPT



GROUP A

(SERIES 24, 25, 26, 27, 28, 29, 32, 34, 96, 160, 180, 203, 312, 314)

RECESS CONNECTION 1/2" NPT  
(FEMALE THREAD)



GROUP B

(SERIES 21, 22, 23, 30, 31, 33, 36, 37, 111, 115, 140, 150, 201, 205, 206, 310, 311, 313, 321)

RECESS CONNECTION 1/2" NPT  
(MALE THREAD)

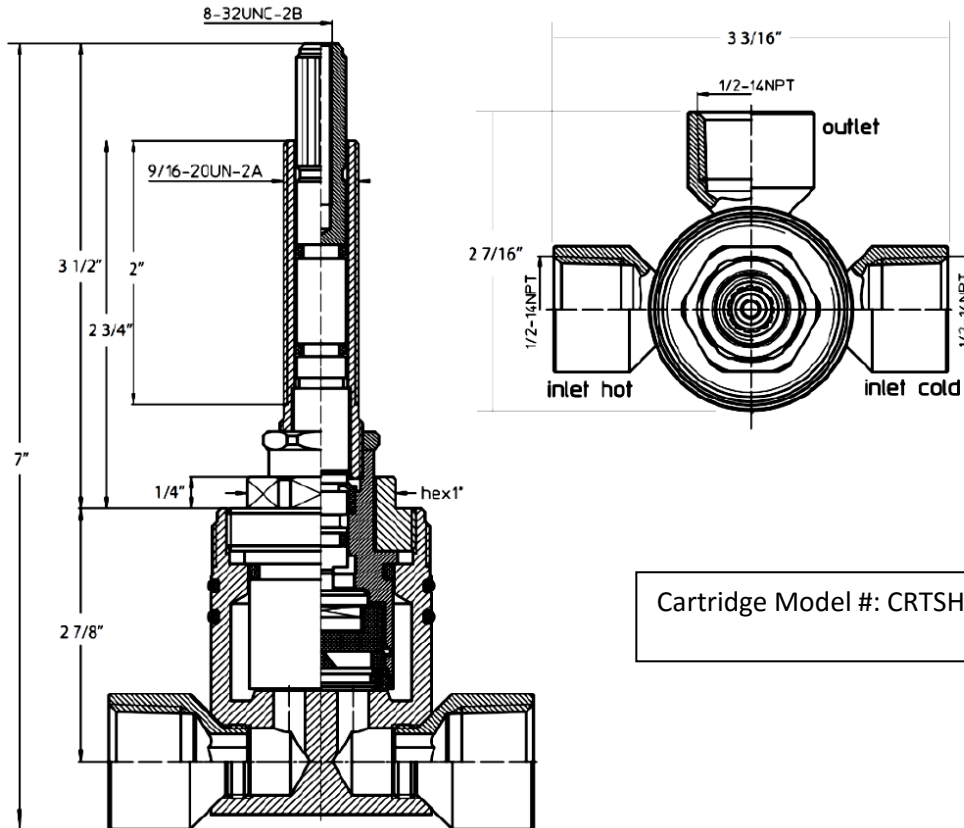


GROUP C

(SERIES \*35, 38, 97, 125)

\*Please see Step 7 of Valve Installation

### Diagram D



Cartridge Model #: CRTSHV1.2

Rev. 11/2017