

BB-SC 100 & S02

1" – 2-1/2"

butterball® SLOW CLOSE

Approved by: NYC Board of Stds. & Appeals,
Cal. #996-81-SM (175psi)
720-83-SA (350 & 500 psi)

**BRONZE BUTTERFLY VALVE
ONE-PIECE, FULL-PORT
175 PSI
THREADED ENDS**



DIMENSIONS

Valve Size					
DIM	1"	1-1/4"	1-1/2"	2"	2-1/2"
A	2.13	2.63	2.88	3.25	4.13
B ¹	3.16	3.31	3.41	3.63	3.82
C	1.56	1.94	2.19	2.75	3.19
D	1.72	2.11	2.38	3.07	3.50
J ²	4.16	4.16	4.51	4.76	4.66
K	.66	.73	.73	.79	1.18
L	.83	.90	.10	1.41	1.29
M-40 ³	1.10	1.38	1.61	2.07	2.47
M-80 ⁴	.96	1.28	1.50	1.94	2.32
N-40 ⁵	2.25	2.00	2.50	2.25	10.00
W ⁶	1.13	1.25	1.41	1.69	1.75

ALL DIMENSIONS-INCHES

¹ Pertains to BB-SC100 only.

² Pertains to BB-SCS02 only.

³ M-40 ARE DIMENSIONS USING SCHEDULE 40 PIPE

⁴ M-80 ARE DIMENSIONS USING SCHEDULE 80 PIPE

⁵ N-40 IS FLOW RESISTANCE EXPRESSED IN EQUIVALENT LENGTH OF SCHEDULE 40 PIPE

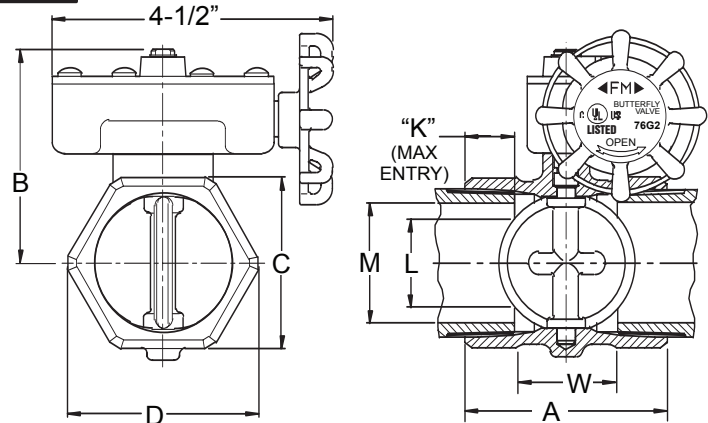
⁶ W IS THE WRENCH MAKE-UP LENGTH

FEATURES

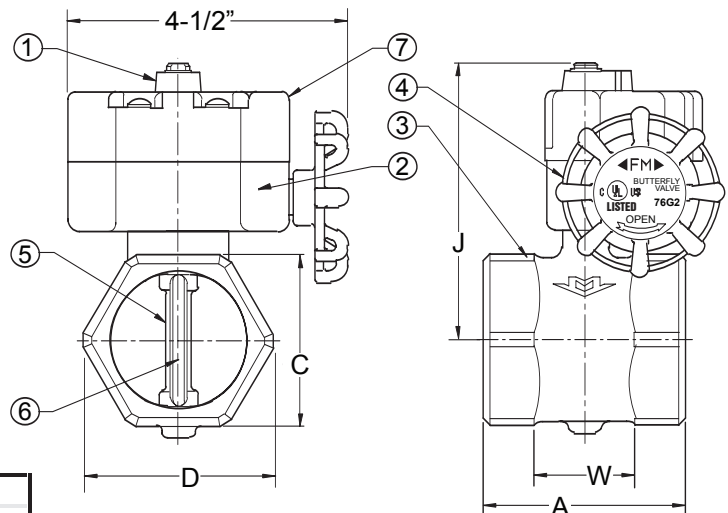
- Slow opening and closing
- Quarter turn operation
- Water Hammer elimination
- Optional internal tamper switch (Indoor/Outdoor use).
 - Signals disc movement
 - Factory or Field installation
 - 10 Amp / 115 VAC-60 Hz
 - 0.5 Amp / 28 VDC
- Grooved Ends Available in Sizes 2" and 2-1/2"

MATERIALS LIST

ITEM	PART	MATERIALS	ASTM SPEC.
1	Indicator	Iron	F0008P
2	Housing	Bronze	ASTM 584 UNS
3	Body		C8440
4	Handle	Brass	ASTM B176 UNS C85800
5	Disk	Stainless Steel	ASTM A276, Type 304
6	Disk Seal		EPDM
7	Switch Housing (BB-SCS02)	Aluminum	



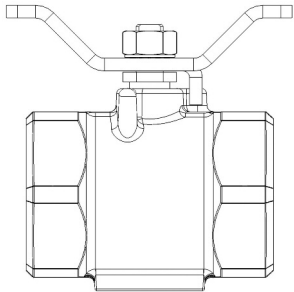
BB-SC100
Sizes 1", 1-1/4", 1-1/2", 2", 2-1/2"



BB-SCS02
(Includes Switch)

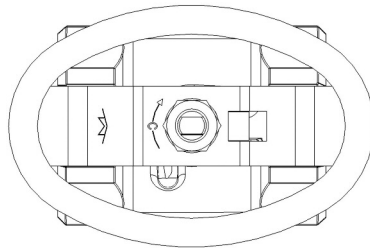
The information presented on this sheet is correct at the time of publication. Milwaukee Valve reserves the right to change design, and/or material specifications without notice. For the most current information access www.milwaukeevalve.com





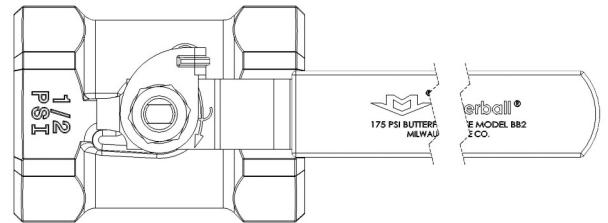
Tee Handle Option

To Order Tee Handle,
Add suffix "T" to Number.
(E.g. BB2-100T)



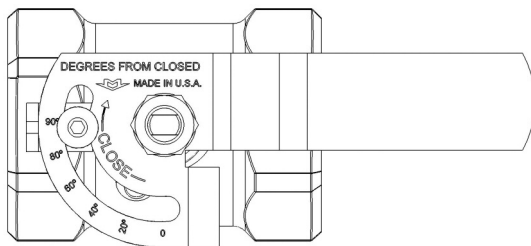
Oval Handle Option

To Order Oval Handle,
Add suffix "R" to Number.
(E.g. BB2-100R)



Memory Stop Option

To Order Memory Stop Option,
Use this Model Number, BB2-102



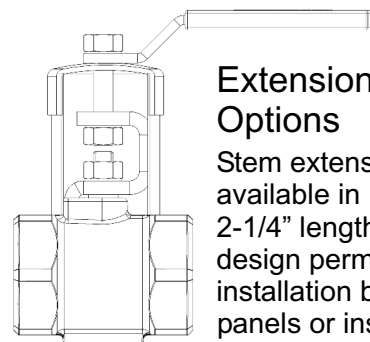
Calibrated Memory Stop Handle Option

This Flow Set Handle Provides a
visual 90 X Scale to Position
the Memory Stop.

Order using Model Number BB2FS100.

Rev. 2

**NOTE: Some Accessories Can be
Combined for Added Versatility.
Consult Factory.**



Extension Stem Options

Stem extensions are
available in 1-1/4" &
2-1/4" lengths. The
design permits valve
installation behind
panels or inside
equipment enclosures.

1-1/4" Extension, Order BB2-103

2-1/4" Extension, Order BB2-104