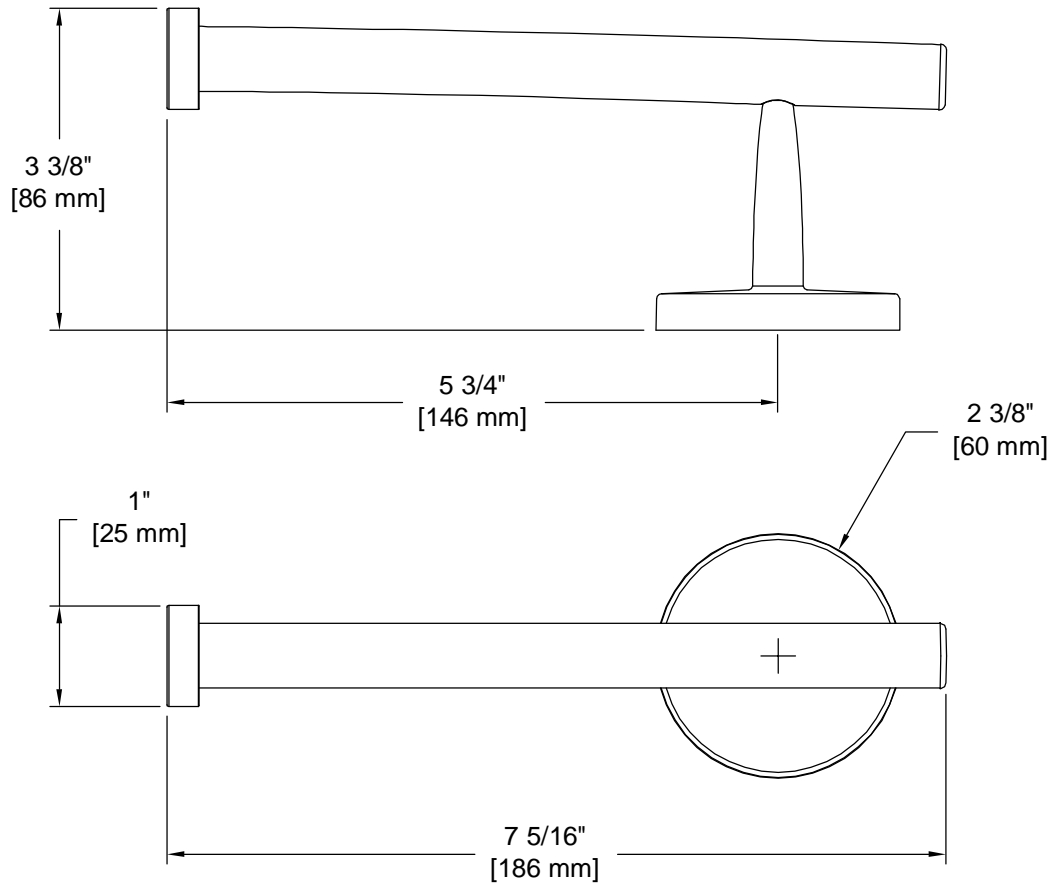


PRODUCT DATA SHEET

Product Description: European toilet tissue holder, Boca Grande. Post is fabricated from die cast zinc with a US15 satin nickel finish. Holder is fabricated from brass with a US15 satin nickel finish. Ships with mounting hardware.



Overall Size: $7 \frac{5}{16}$ " W X $2 \frac{3}{8}$ " H X $3 \frac{3}{8}$ " D

Material: Zinc Post, Brass Holder

Finish: US15 Satin Nickel

Cross Reference

Manufacturer	Part Number



Description:

**Toilet Tissue Holder,
European, Boca Grande**

Part Number:

23011

Date

06/16

Rev.

04

Sheet 1 of 1