

Air-Conditioners For Building Application INDOOR UNIT

PLFY-EP-NEMU-E PLFY-EP-NEMU-E1

INSTALLATION MANUAL

For safe and correct use, read this manual and the outdoor unit installation manual thoroughly before installing the air-conditioner unit.

FOR INSTALLER

MANUEL D'INSTALLATION

Avant d'installer le climatiseur, lire attentivement ce manuel, ainsi que le manuel d'installation de l'appareil extérieur pour une utilisation sûre et correct.

POUR L'INSTALLATEUR

MANUAL DE INSTALACIÓN

Para un uso seguro y correcto, lea detalladamente este manual de instalación antes de montar la unidad de aire acondicionado.

PARA EL INSTALADOR

English

Français

Español

Contents

1. Safety precautions.....	1	5. Electrical work.....	5
2. Installing the indoor unit.....	1	6. Installing the grille.....	10
3. Installing the refrigerant piping.....	3	7. Test run.....	14
4. Drainage piping work.....	4		

Note:
 The phrase "Simple MA Remote controller" in this installation manual refers to the PAC-YT53CRAU.
 The phrase "Wired remote controller" in this installation manual refers only to the PAR-40MAA.
 If you need any information for the other remote controller, please refer to either the installation manual or initial setting manual which are included in these box.

1. Safety precautions

- ▶ Before installing the unit, make sure you read all the "Safety precautions".
- ▶ Please report to your supply authority or obtain their consent before connecting this equipment to the power supply system.

Warning:
 Describes precautions that must be observed to prevent danger of injury or death to the user.

Caution:
 Describes precautions that must be observed to prevent damage to the unit.

After installation work has been completed, explain the "Safety Precautions," use, and maintenance of the unit to the customer according to the information in the Operation Manual and perform the test run to ensure normal operation. Both the Installation Manual and Operation Manual must be given to the user for keeping. These manuals must be passed on to subsequent users.

- Warning:**
- Ask the dealer or an authorized technician to install the air conditioner.
 - Install the unit at a place that can withstand its weight.
 - Do not alter the unit. It may cause fire, electric shock, injury or water leakage.
 - Use only specified cables for wiring. The wiring connections must be made securely with no tension applied on the terminal connections. Also, never splice the cables for wiring (unless otherwise indicated in this document). Failure to observe these instructions may result in overheating or a fire.
 - Use only accessories authorized by Mitsubishi Electric and ask the dealer or an authorized technician to install them.
 - Do not touch the heat exchanger fins.
 - Install the air conditioner according to this Installation Manual.
 - Have all electric work done by a licensed electrician according to local regulations.
 - Do not use intermediate connection of electric wires.
 - If the air conditioner is installed in a small room, measures must be taken to prevent the refrigerant concentration from exceeding the safety limit even if the refrigerant should leak.

- Caution:**
- Do not use the existing refrigerant piping, when use R410A refrigerant.
 - Use ester oil, ether oil or alkylbenzene (small amount) as the refrigerant oil to coat flares and flange connections, when use R410A refrigerant.
 - Do not use the air conditioner where food, pets, plants, precision instruments, or artwork are kept.
 - Do not use the air conditioner in special environments.
 - Ground the unit.

2. Installing the indoor unit

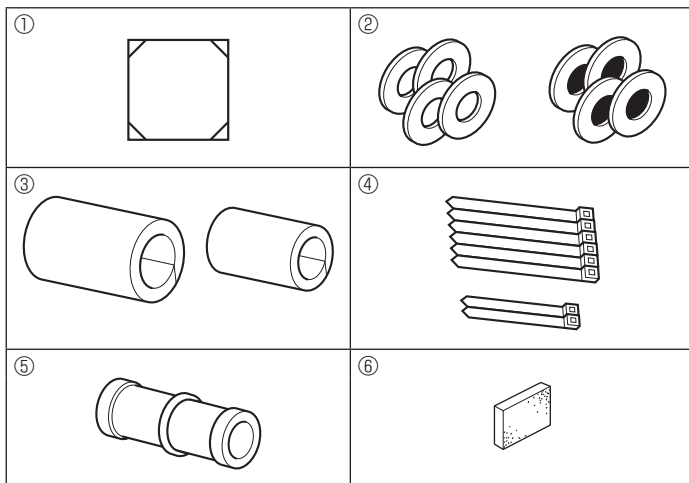


Fig. 2-1

- ⊘ : Indicates an action that must be avoided.
- ⚠ : Indicates that important instructions must be followed.
- ⚡ : Indicates a part which must be grounded.
- ⚠ : Indicates that caution should be taken with rotating parts.
- ⚡ : Indicates that the main power switch must be turned off before servicing.
- ⚠ : Beware of electric shock.
- ⚠ : Beware of hot surface.
- ⚡ ELV : At servicing, please shut down the power supply for both the Indoor and Outdoor Unit.

Warning:
 Carefully read the labels affixed to the main unit.

- The cut face punched parts may cause injury by cut, etc. The installers are requested to wear protective equipment such as gloves, etc.
- When installing or relocating, or servicing the air conditioner, use only the specified refrigerant (R410A) to charge the refrigerant lines. Do not mix it with any other refrigerant and do not allow air to remain in the lines. If air is mixed with the refrigerant, then it can be the cause of abnormal high pressure in the refrigerant line, and may result in an explosion and other hazards. The use of any refrigerant other than that specified for the system will cause mechanical failure or system malfunction or unit breakdown. In the worst case, this could lead to a serious impediment to securing product safety.
- The appliance shall be installed in accordance with national wiring regulations.
- If the supply cord is damaged, it must be replaced by the manufacturer, its service agent or similarly qualified persons in order to avoid a hazard.

- Install an leak molded case circuit breaker, as required.
- Use power line cables of sufficient current carrying capacity and rating.
- Use only a molded case circuit breaker and fuse of the specified capacity.
- Do not touch the switches with wet fingers.
- Do not touch the refrigerant pipes during and immediately after operation.
- Do not operate the air conditioner with the panels and guards removed.
- Do not turn off the power immediately after stopping operation.

2.1. Check the indoor unit accessories (Fig. 2-1)

The indoor unit should be supplied with the following accessories.

	Accessory name	Q'ty
①	Installation template	1
②	Washers (with insulation)	4
	Washers (without insulation)	4
③	Pipe cover (for refrigerant piping joint) small diameter	1
	large diameter	1
④	Band (large)	6
	Band (small)	2
⑤	Drain socket	1
⑥	Insulation	1

2. Installing the indoor unit

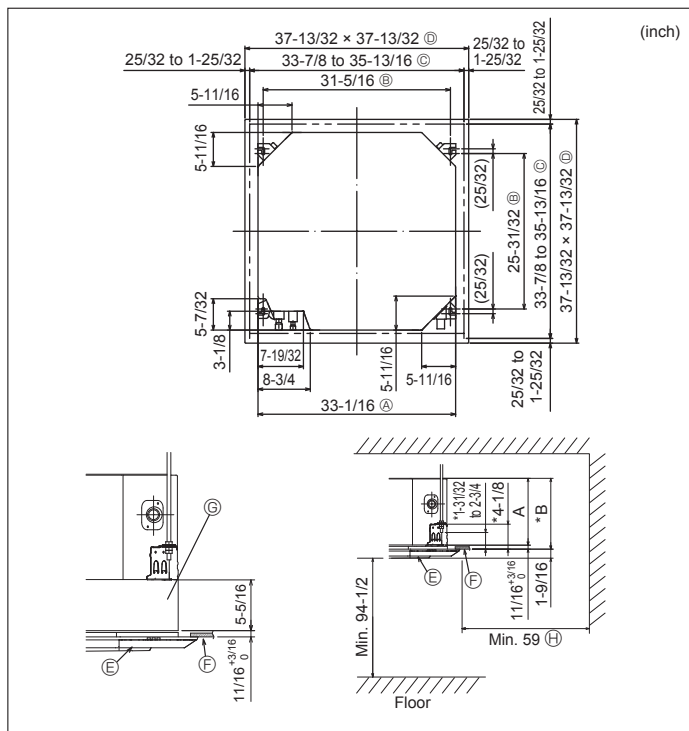


Fig. 2-2

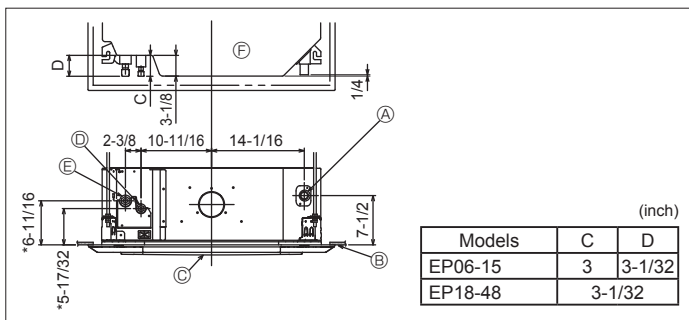


Fig. 2-3

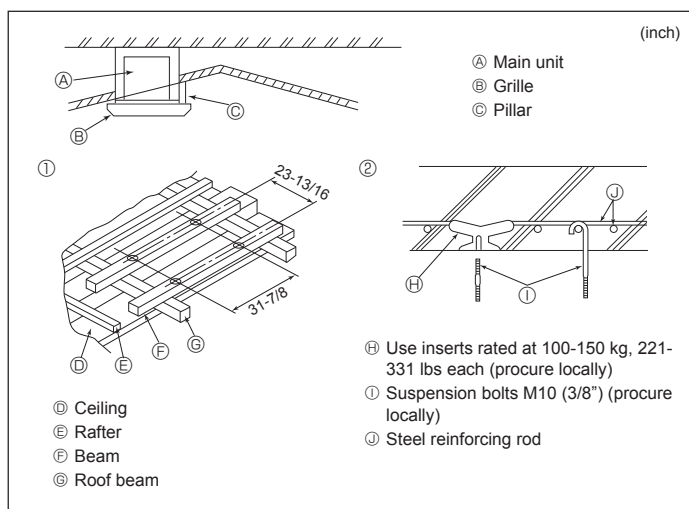


Fig. 2-4

2.2. Ceiling openings and suspension bolt installation locations (Fig. 2-2)

⚠ Caution:

Install the indoor unit at least 2.4 m, 94-1/2 inch above floor or grade level. For appliances not accessible to the general public.

- Using the installation template (top of the package) and the gauge (supplied as an accessory with the grille), make an opening in the ceiling so that the main unit can be installed as shown in the diagram. (The method for using the template and the gauge is shown.)

- * Before using, check the dimensions of template and gauge, because they change due to fluctuations of temperature and humidity.

- * The dimensions of ceiling opening can be regulated within the range shown in Fig. 2-2; so center the main unit against the opening of ceiling, ensuring that the respective opposite sides on all sides of the clearance between them becomes identical.

- Use M10 (3/8") suspension bolts.

- * Suspension bolts are to be procured at the field.

- Install securely, ensuring that there is no clearance between the ceiling panel & grille, and between the main unit & grille.

- Ⓐ Outer side of main unit

- Ⓑ Bolt pitch

- Ⓒ Ceiling opening

- Ⓓ Outer side of Grille

- Ⓔ Grille

- Ⓕ Ceiling

- Ⓖ Multi function casement (option)

- Ⓗ Entire periphery

- * Note that the space between ceiling panel of the unit and ceiling slab, etc. must be 10 to 15 mm, 25/64 to 19/32 inch.

- * When the optional multi-functional casement is installed, add 135 mm, 5-5/16 inch to the dimensions marked on the figure.

(mm, inch)

Models	A	B
EP06-15	241, 9-1/2	258, 10-3/16
EP18-48	281, 11-1/16	298, 11-3/4

2.3. Refrigerant and drainage piping locations of indoor unit

The figure marked with * in the drawing represent the dimensions of the main unit excluding those of the optional multi function casement. (Fig. 2-3)

- Ⓐ Drain pipe

- Ⓑ Ceiling

- Ⓒ Grille

- Ⓓ Refrigerant pipe (liquid)

- Ⓔ Refrigerant pipe (gas)

- Ⓗ Main unit

- * When the optional multi-functional casement is installed, add 135 mm, 5-5/16 inch to the dimensions marked on the figure.

2.4. Suspension structure (Give site of suspension strong structure) (Fig. 2-4)

- The ceiling work differs according to the construction of the building. Building constructors and interior decorators should be consulted for details.

- Extent of ceiling removal: The ceiling must be kept completely horizontal and the ceiling foundation (framework: wooden slats and slat holders) must be reinforced in order to protect the ceiling from vibration.

- Cut and remove the ceiling foundation.

- Reinforce the ends of the ceiling foundation where it has been cut and add ceiling foundation for securing the ends of the ceiling board.

- When installing the indoor unit on a slanted ceiling, attach a pillar between the ceiling and the grille and set so that the unit is installed horizontally.

① Wooden structures

- Use tie beams (single storied houses) or second floor beams (2 story houses) as reinforcing members.

- Wooden beams for suspending air conditioners must be sturdy and their sides must be at least 60 mm, 2-3/8 inch long if the beams are separated by not more than 900 mm, 35-7/16 inch and their sides must be at least 90 mm, 3-9/16 inch long if the beams are separated by as much as 1800 mm, 70-7/18 inch. The size of the suspension bolts should be $\phi 10$ (3/8"). (The bolts do not come with the unit.)

② Ferro-concrete structures

- Secure the suspension bolts using the method shown, or use steel or wooden hangers, etc. to install the suspension bolts.

2. Installing the indoor unit

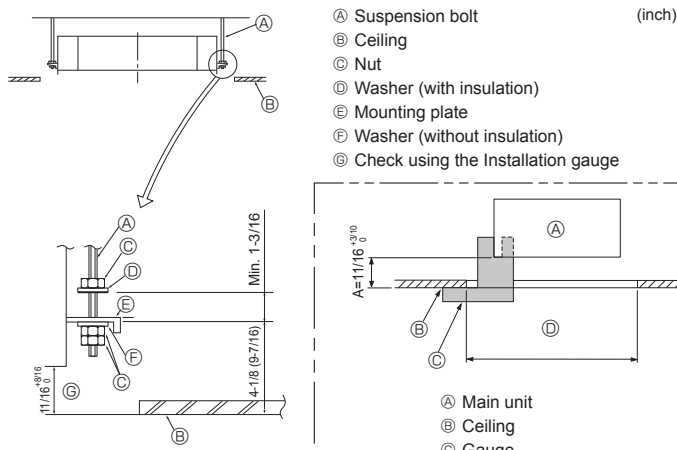


Fig. 2-5

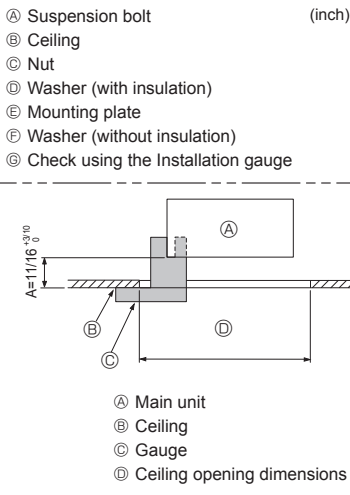


Fig. 2-6

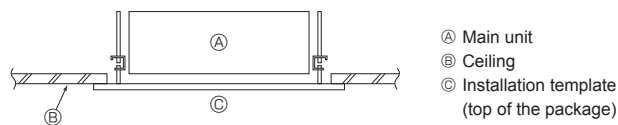


Fig. 2-7

- Ⓐ Main unit
- Ⓑ Ceiling
- Ⓒ Installation template (top of the package)

2.5. Unit suspension procedures (Fig. 2-5)

Suspend the main unit as shown in the diagram.

Figures given in parentheses represent the dimensions in case of installing optional multi function casement.

1. In advance, set the parts onto the suspension bolts in the order of the washers (with insulation), washers (without insulation) and nuts (double).
 - Fit the washer with cushion so that the insulation faces downward.
 - In case of using upper washers to suspend the main unit, the lower washers (with insulation) and nuts (double) are to be set later.
2. Lift the unit to the proper height of the suspension bolts to insert the mounting plate between washers and then fasten it securely.
3. When the main unit cannot be aligned against the mounting hole on the ceiling, it is adjustable owing to a slot provided on the mounting plate.
 - Make sure that A is performed within 17-22 mm, 11/16-7/8 inch. Damage could result by failing to adhere to this range. (Fig. 2-6)

⚠ Caution:

Use the top half of the box as a protective cover to prevent dust or debris from getting inside the unit prior to installation of the decorative cover or when applying ceiling materials.

2.6. Confirming the position of main unit and tightening the suspension bolts (Fig. 2-7)

- Using the gauge attached to the grille, ensure that the bottom of the main unit is properly aligned with the opening of the ceiling. Be sure to confirm this, otherwise condensation may form and drip due to air leakage, etc.
- Confirm that the main unit is horizontally levelled, using a level or a vinyl tube filled with water.
- After checking the position of the main unit, tighten the nuts of the suspension bolts securely to fasten the main unit.
- The installation template (top of the package) can be used as a protective sheet to prevent dust from entering the main unit when the grilles are left unattached for a while or when the ceiling materials are to be lined after installation of the unit is finished.

Note:

As for the details of fitting, refer to the instructions given on the Installation template. (top of the package)

3. Installing the refrigerant piping

3.1. Connecting pipes (Fig. 3-1)

- When commercially available copper pipes are used, wrap liquid and gas pipes with commercially available insulation materials (heat-resistant to 100 °C, 212 °F or more, thickness of 12 mm, 1/2 inch or more).
- Apply thin layer of refrigerant oil to pipe and joint seating surface before tightening flare nut.
- Use 2 wrenches to tighten piping connections.
- Use refrigerant piping insulation provided to insulate indoor unit connections. Insulate carefully.
- After connecting the refrigerant piping to the indoor unit, be sure to test the pipe connections for gas leakage with nitrogen gas. (Check that there is no refrigerant leakage from the refrigerant piping to the indoor unit.)
- Use flared nut installed to this indoor unit.
- In case of reconnecting the refrigerant pipes after detaching, make the flared part of pipe re-fabricated.

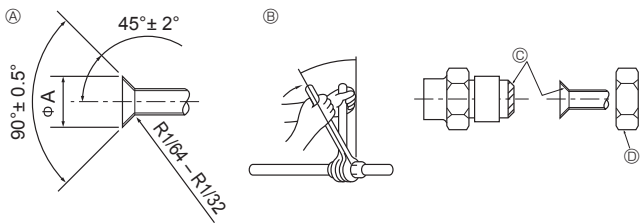


Fig. 3-1

Ⓐ Flare cutting dimensions

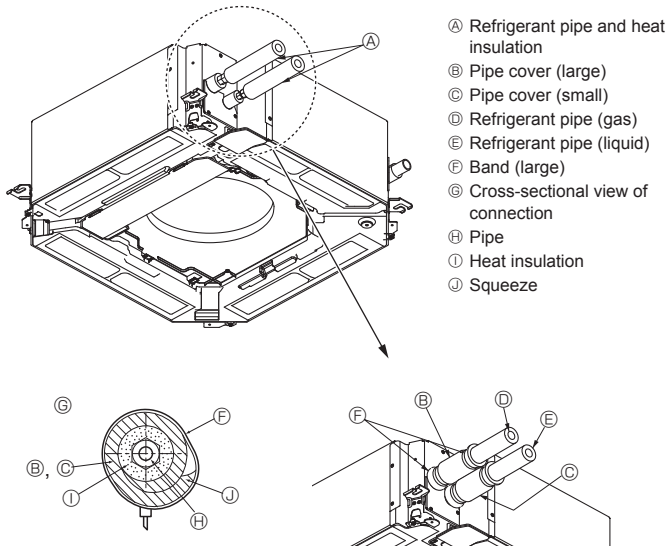
Copper pipe O.D. (mm, inch)	Flare dimensions φA dimensions (mm, inch)
φ6.35, 1/4	8.7 - 9.1, 11/32 - 23/64
φ9.52, 3/8	12.8 - 13.2, 1/2 - 33/64
φ12.7, 1/2	16.2 - 16.6, 41/64 - 21/32
φ15.88, 5/8	19.3 - 19.7, 49/64 - 25/32
φ19.05, 3/4	22.9 - 23.3, 15/16 - 61/64

Ⓑ Refrigerant pipe sizes & Flare nut tightening torque

	Liquid pipe		Gas pipe		Flare nut O.D.	
	Pipe size (mm) (inch)	Tightening torque (N.m) (ft. lbs)	Pipe size (mm) (inch)	Tightening torque (N.m) (ft. lbs)	Liquid pipe (mm) (inch)	Gas pipe (mm) (inch)
EP06, EP08, EP12, EP15, EP18	ODφ6.35 1/4	14 - 18 10 - 13	ODφ12.7 1/2	49 - 61 35 - 44	17 43/64	26 1-1/32
EP24, EP30, EP36, EP48	ODφ9.52 3/8	34 - 42 25 - 30	ODφ15.88 5/8	68 - 82 49 - 59	22 7/8	29 1-9/64

Ⓒ Apply refrigerating machine oil over the entire flare seat surface.

3. Installing the refrigerant piping



- Ⓐ Refrigerant pipe and heat insulation
- Ⓑ Pipe cover (large)
- Ⓒ Pipe cover (small)
- Ⓓ Refrigerant pipe (gas)
- Ⓔ Refrigerant pipe (liquid)
- Ⓕ Band (large)
- Ⓖ Cross-sectional view of connection
- Ⓗ Pipe
- Ⓘ Heat insulation
- ⓵ Squeeze

Fig. 3-2

3.2. Indoor unit (Fig. 3-2)

Heat insulation for refrigerant pipes:

- 1 Wrap the enclosed large-sized pipe cover around the gas pipe, making sure that the end of the pipe cover touches the side of the unit.
- 2 Wrap the enclosed small-sized pipe cover around the liquid pipe, making sure that the end of the pipe cover touches the side of the unit.
- 3 Secure both ends of each pipe cover with the enclosed bands. (Attach the bands 20 mm, 25/32 inch from the ends of the pipe cover.)

4. Drainage piping work

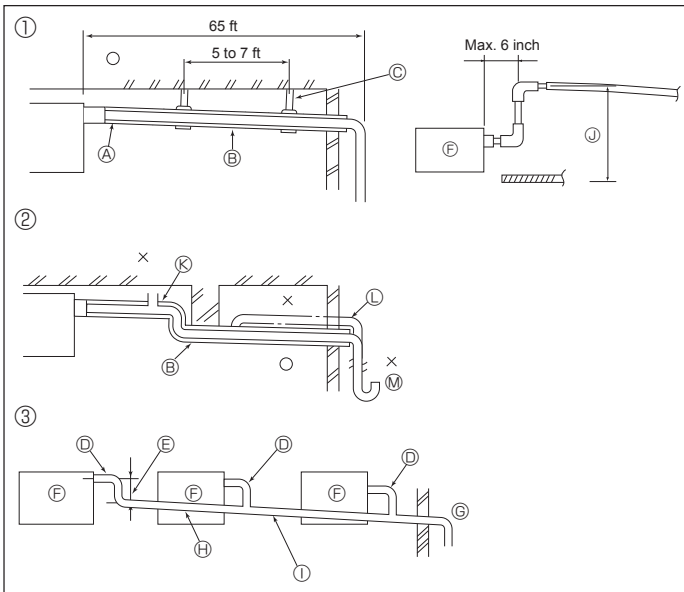


Fig. 4-1

4.1. Drainage piping work (Fig. 4-1)

- The indoor parts of the drain pipe should be wrapped with polyethylene foam insulation materials (specific gravity of 0.03, thickness of 9 mm, 11/32 inch or more).
- Use VP25 (O.D. ø32 mm, 1-1/4 inch PVC TUBE) for drain piping and provide 1/100 or more downward slope.
- Be sure to connect the piping joints using a PVC type adhesive.
- Observe the figure for piping work.
- Use the included drain hose to change the extraction direction.

- | | |
|---|---|
| ① Correct piping | Ⓒ Make the piping size large for grouped piping. |
| ② Wrong piping | Ⓗ Downward slope (1/100 or more) |
| ③ Grouped piping | Ⓘ O.D. ø38 mm, 1-1/2 inch PVC TUBE for grouped piping (9 mm, 11/32 inch or more insulation) |
| Ⓐ Insulation (9 mm, 11/32 inch or more) | ⓵ Up to 850 mm, 33-7/16 inch |
| Ⓑ Downward slope (1/100 or more) | ⓶ Air bleeder |
| Ⓓ Support metal | ⓷ Raised |
| Ⓗ O.D. ø32 mm, 1-1/4 inch PVC TUBE | ⓸ Odor trap |
| Ⓘ Make it as large as possible (about 100 mm, 3-15/16 inch) | |
| ⓵ Indoor unit | |

1. Connect the drain socket (supplied with the unit) to the drain port. (Fig. 4-2) (Fix the tube using PVC adhesive then secure it with a band.)
2. Install a locally purchased drain pipe (PVC pipe, O.D. ø32 mm, 1-1/4 inch). (Fix the pipe using PVC adhesive then secure it with a band.)
3. Check that drain flows smoothly.
4. Insulate the drain port and socket with insulating material, then secure the material with a band. (Both insulating material and band are supplied with the unit.)
5. Insulate the tube and pipe. (PVC pipe, O.D. ø32 mm, 1-1/4 inch)

- | | |
|----------------------------|--|
| Ⓐ Main unit | Ⓒ Drain pipe (O.D. ø32 mm, 1-1/4 inch PVC TUBE) |
| Ⓑ Insulating material | Ⓗ Insulating material (purchased locally) |
| Ⓓ Band | ⓵ Transparent PVC pipe |
| Ⓔ Drain port (transparent) | ⓶ O.D. ø32 mm, 1-1/4 inch PVC TUBE (Slope 1/100 or more) |
| Ⓕ Insertion margin | ⓸ Drain socket |
| Ⓖ Matching | |

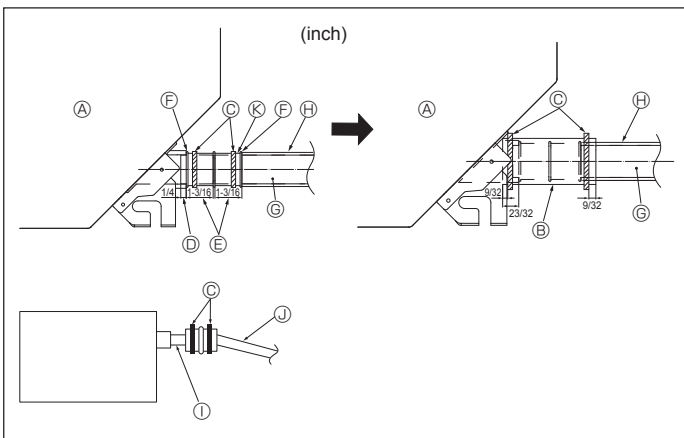


Fig. 4-2

5. Electrical work

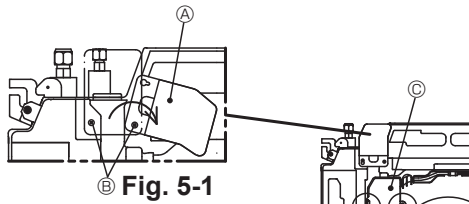


Fig. 5-1

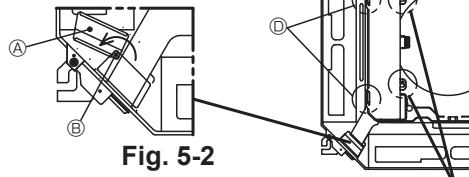


Fig. 5-2

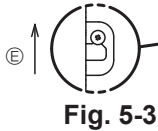


Fig. 5-3

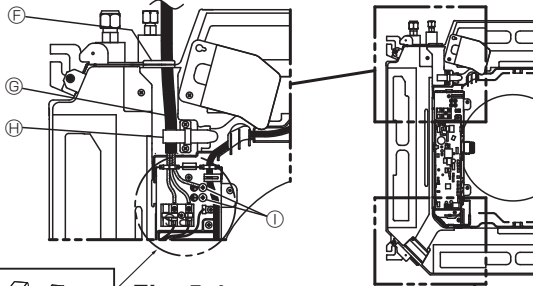


Fig. 5-4

Power terminal block

Be sure to connect the VVF cable (max. $\phi 1/16$) in the U-shaped groove.

Note:

1. The U-shaped groove opens if you push the screw head after the screw is loosened.
2. Be sure to insert cables that have the same diameter.

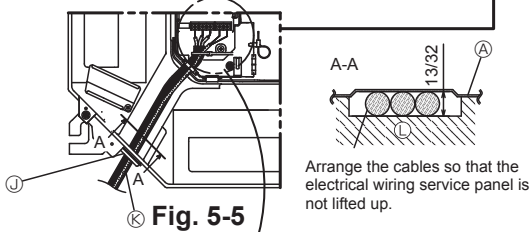
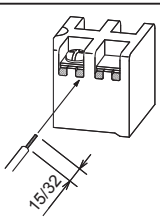


Fig. 5-5

Arrange the cables so that the electrical wiring service panel is not lifted up.

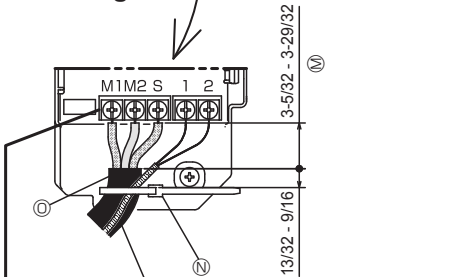
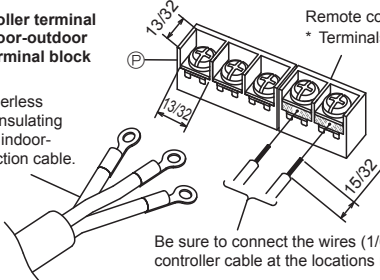


Fig. 5-6

Secure the remote controller cable and indoor-outdoor connection cable with the cable strap.
If only one indoor-outdoor connection cable is connected, secure it using the cable strap according to the dimensions marked on the diagram.

Remote controller terminal block and indoor-outdoor connection terminal block

Use round solderless terminals with insulating sleeves for the indoor-outdoor connection cable.



Be sure to connect the wires (1/64 inch) of the remote controller cable at the locations marked on the diagram.

5.1. Indoor unit

* Be sure to complete the electrical work before installing the grille.

1. Loosen the two screws securing the electrical wiring service panel at the cable entry (power cable), and then turn the service panel to the position shown in the diagram. (Fig. 5-1)
2. Loosen the one screw securing the electrical wiring service panel at the cable entry (remote controller cable and indoor-outdoor connection cable), and then turn the service panel to the position shown in the diagram. (Fig. 5-2)
3. Loosen the two screws securing the electrical box cover, then slide the cover and remove it. (The cover may be hung temporarily.) (Fig. 5-3)
4. Route the cables into the indoor unit through the respective cable entries.
5. Connect the cables securely to the terminal boards. (Fig. 5-4, 5-5)

Note:

1. For the tightening torque of the terminal board screws, refer to the table below.
2. Leave sufficient slack in the cables so that the electrical box can be suspended below the unit during servicing.
6. Secure the power cable with the cable strap on the unit. (Fig. 5-4)
7. Secure the remote controller cable and indoor-outdoor connection cable with the cable strap on the unit.
8. Install the removed parts in their original locations.

- (A) Electrical wiring service panel
- (B) Screw
- (C) Electrical box cover
- (D) Temporary hook for the electrical box cover
- (E) Slide direction of the electrical box cover
- (F) Cable entry (power cable)
- (G) Power cable
- (H) Secure with the cable strap
- (I) Earth cable connection point
- (J) Cable entry (remote controller cable and indoor-outdoor connection cable)
- (K) Remote controller cable and indoor-outdoor connection cable
- (L) Drain pan
- (M) Length of the cable not covered by the indoor-outdoor connection cable sheath
- (N) Cable strap
- (O) Indoor-outdoor connection cable sheath
- (P) Indoor-outdoor connection terminal block

Terminal board screw tightening torque

	Tightening torque (ft.lbs)
Remote controller terminal board	0.9 ± 0.1
Indoor-outdoor connection terminal board	0.9 ± 0.1
Power terminal board	0.9 ± 0.1

WARNING

Never connect to a 208 - 230 VAC power supply.

Electrical work precautions

* Observe the following precautions for each terminal board.



- Connect wires with the same diameter on both sides.

WARNING



- Connecting two wires on one side is prohibited.



- Connecting three wires or more to the same terminal is prohibited.



- Connecting wires with different diameters is prohibited.

5. Electrical work

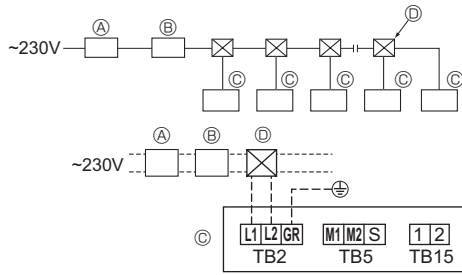


Fig. 5-7

5.2. Power supply wiring

- Wiring size must comply with the applicable local and national codes.
- Use copper supply wires.
Use UL wires rated 300 V or more for the power supply cords.
- Install a ground wire longer than other cables.
- A switch with at least 3 mm, 1/8 inch contact separation in each pole shall be provided by the air conditioner installation.

[Fig. 5-7]

- Ⓐ Ground-fault interrupter
- Ⓑ Local switch/Wiring breaker
- Ⓒ Indoor unit
- Ⓓ Pull box

⚠ Warning:

Never splice the power cable or the indoor-outdoor connection cable, otherwise it may result in a smoke, a fire or communication failure.

Total operating current of the indoor unit	Minimum wire thickness (mm ² /AWG)					Breaker for wiring (NFB)	Ground-fault interrupter *1
	Main cable	Branch	Ground	Capacity	Fuse		
F0 = 15 A or less *2	2.1/14	2.1/14	2.1/14	15	15	15	15 A current sensitivity *3
F0 = 20 A or less *2	3.3/12	3.3/12	3.3/12	20	20	20	20 A current sensitivity *3
F0 = 30 A or less *2	5.3/10	5.3/10	5.3/10	30	30	30	30 A current sensitivity *3

Apply to IEC61000-3-3 about max. permissive system impedance.

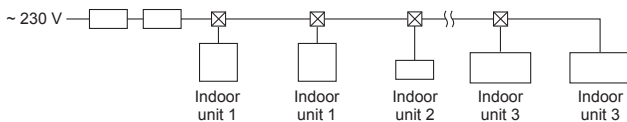
*1 The Ground-fault interrupter should support inverter circuit.

The Ground-fault interrupter should combine using of local switch or wiring breaker.

*2 Please take the larger of F1 or F2 as the value for F0.

F1 = Total operating maximum current of the indoor units × 1.2

F2 = {V1 × (Quantity of Indoor unit 1)/C} + {V1 × (Quantity of Indoor unit 2)/C} + {V1 × (Quantity of Indoor unit 3)/C} + ...



• V1 and V2

V1 and V2 are the breaker coefficient.

V1: Breaker coefficient of rated current

V2: Breaker coefficient of current sensitivity

The values of V1 and V2 differ from depending on the model. Therefore, please refer to IM of each model.

• C : Multiple of tripping current at tripping time 0.01 s

Please pick up "C" from the tripping characteristic of the breaker.

Indoor unit	V1	V2
Type 1 PLFY-NEMU	19.8	2.4

<Example of "F2" calculation>

• Condition PLFY-NEMU × 4 + PEFY-NMAU × 1, C = 8 (refer to right sample chart)

V1 of PLFY-NEMU = 19.8, V1 of PEFY-NMAU = 38

F2 = 19.8 × 4/8 + 38 × 1/8
= 14.65

→ 16 A breaker (Tripping current = 8 × 16 A at 0.01 s)

*3 Current sensitivity is calculated using the following formula.

G1 = V2 × (Quantity of Indoor unit 1) + V2 × (Quantity of Indoor unit 2) + V2 × (Quantity of Indoor unit 3) + V2 × ...
+ V3 × (Wire length [km])

<Example of "G1" calculation>

*Condition : PKFY-NLMU × 2 + PLFY-NEMU × 2 + PEFY-NMAU × 1

V2 of PKFY-NLMU = 2.4, V2 of PLFY-NEMU = 2.4, V2 of PEFY-NMAU = 1.6, Wire thickness and length: 1.5 mm² (AWG14) 0.2 km

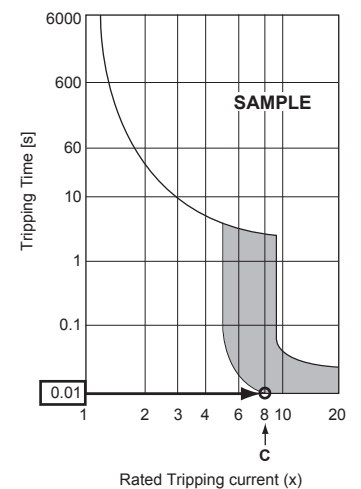
G1 = 2.4 × 2 + 2.4 × 2 + 1.6 × 1 + 48 × 0.2
= 20.8

As a result, current sensitivity is 30 mA 0.1 sec or less.

G1	Current sensitivity
30 or less	30 mA 0.1 sec or less
100 or less	100 mA 0.1 sec or less

Wire thickness (mm ² /AWG)	V3
2.1/14	48
3.3/12	56
5.3/10	66

Sample chart



5.3. Types of control cables

1. Wiring transmission cables

Types of transmission cable	Shielding wire Use UL wire rated 300 V
Cable diameter	More than 1.25 mm ² (AWG16)
Length	Less than 200 m, 219 yard

2. M-NET Remote control cables

Types of remote control cable	Shielding wire Use UL wire rated 300 V
Cable diameter	0.5 (AWG20) to 1.25 mm ² (AWG16)
Length	Add any portion in excess of 10 m, 33 ft to within the longest allowable transmission cable length 200 m, 219 yard.

3. MA Remote control cables

Types of remote control cable	2-core cable (unshielded) Use UL wire rated 300 V
Cable diameter	0.3 (AWG22) to 1.25 mm ² (AWG16)
Length	Less than 200 m, 219 yard

5. Electrical work

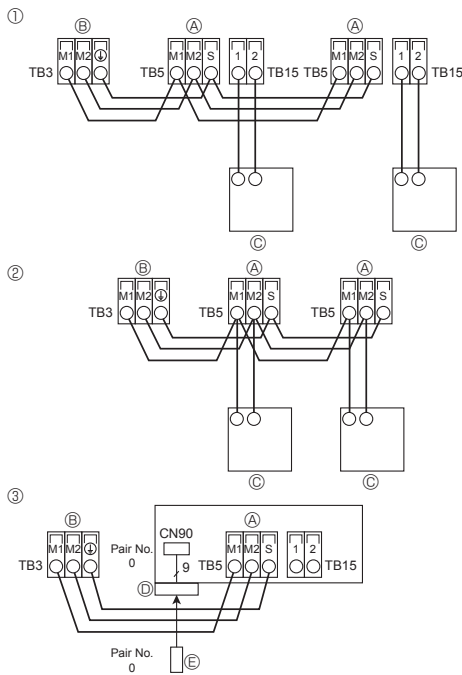


Fig. 5-8

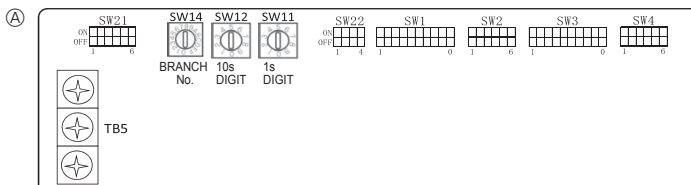


Fig. 5-9

5.6. Switch setting for high ceiling or at the time of changing the number of air outlets (Fig. 5-9)

With this unit, the air flow rate and fan speed can be adjusted by setting the SW21 (slide switch). Select a suitable setting from the table below according to the installation location.

			PLFY-EP06-EP30NEMU-E(1)						PLFY-EP36-EP48NEMU-E					
			Silent		Standard		High ceiling		Silent		Standard		High ceiling	
			SW21-1	SW21-2	SW21-1	SW21-2	SW21-1	SW21-2	SW21-1	SW21-2	SW21-1	SW21-2	SW21-1	SW21-2
			OFF	ON	OFF	OFF	ON	OFF	OFF	ON	OFF	OFF	ON	OFF
4 direction	SW21-3	OFF	2.5 m, 8.2 ft		2.7 m, 8.9 ft		3.5 m, 11.5 ft		2.7 m, 8.9 ft		3.2 m, 10.5 ft		4.5 m, 14.8 ft	
	SW21-4	ON												
3 direction	SW21-3	OFF	2.7 m, 8.9 ft		3.0 m, 9.8 ft		3.5 m, 11.5 ft		3.0 m, 9.8 ft		3.6 m, 11.8 ft		4.5 m, 14.8 ft	
	SW21-4	OFF												
2 direction	SW21-3	ON	3.0 m, 9.8 ft		3.3 m, 10.8 ft		3.5 m, 11.5 ft		3.3 m, 10.8 ft		4.0 m, 13.1 ft		4.5 m, 14.8 ft	
	SW21-4	OFF												

5.7. Sensing room temperature with the built-in sensor in a remote controller (Fig. 5-9)

If you want to sense room temperature with the built-in sensor in a remote controller, set SW1-1 on the control board to "ON". The setting of SW1-7 and SW1-8 as necessary also makes it possible to adjust the air flow at a time when the heating thermometer is OFF.

5.4. Connecting remote controller, indoor and outdoor transmission cables (Fig. 5-8)

- Connect indoor unit TB5 and outdoor unit TB3. (Non-polarized 2-wire)
The "S" on indoor unit TB5 is a shielding wire connection. For specifications about the connecting cables, refer to the outdoor unit installation manual.
 - Install a remote controller following the manual supplied with the remote controller.
 - Connect the remote controller's transmission cable within 10 m, 33 ft using a 0.75 mm² (AWG18) core cable. If the distance is more than 10 m, 33 ft, use a 1.25 mm² junction cable.
 - ① MA Remote controller
 - Connect the "1" and "2" on indoor unit TB15 to a MA remote controller. (Non-polarized 2-wire)
 - DC 9 to 13 V between 1 and 2 (MA remote controller)
 - ② M-NET Remote controller
 - Connect the "M1" and "M2" on indoor unit TB5 to a M-NET remote controller. (Non-polarized 2-wire)
 - DC 24 to 30 V between M1 and M2 (M-NET remote controller)
 - ③ Wireless remote controller (When installing wireless signal receiver)
 - Connect the wire of wireless signal receiver (9-pole cable) to CN90 of indoor controller board.
 - When more than two units are run under group control using wireless remote controller, connect TB15 each with the same number.
 - To change Pair No. setting, refer to installation manual attached to wireless remote controller. (In the default setting of indoor unit and wireless remote controller, Pair No. is 0.)
- Ⓐ Terminal block for indoor transmission cable
 Ⓑ Terminal block for outdoor transmission cable (M1(A), M2(B), ⊕ (S))
 Ⓒ Remote controller
 Ⓓ Wireless signal receiver
 Ⓔ Wireless remote controller

5.5. Setting addresses (Fig. 5-9)

(Be sure to operate with the main power turned OFF.)

- There are 2 types of rotary switch setting available: setting addresses 1 to 9 and over 10, and setting branch numbers.
 - ① How to set addresses
 - Example: If Address is "3", remain SW12 (for over 10) at "0", and match SW11 (for 1 to 9) with "3".
 - ② How to set branch numbers SW14 (Series R2 only)
 - Match the indoor unit's refrigerant pipe with the BC controller's end connection number.
 - Remain other than series R2 at "0".
 - The rotary switches are all set to "0" when shipped from the factory. These switches can be used to set unit addresses and branch numbers at will.
 - The determination of indoor unit addresses varies with the system at site. Set them referring to the Data Book.
- Ⓐ Address board

Note:

Make sure the SW21 switch are set, otherwise problems such as not getting cool/warm may occur.

5. Electrical work

5.8. Electrical characteristics

Symbols: MCA: Min. Circuit Amps (= 1.25×FLA) FLA: Full Load Amps
 IFM: Indoor Fan Motor Output: Fan motor rated output

PLFY-EP-NEMU-E / PLY-EP-NEMU-E1

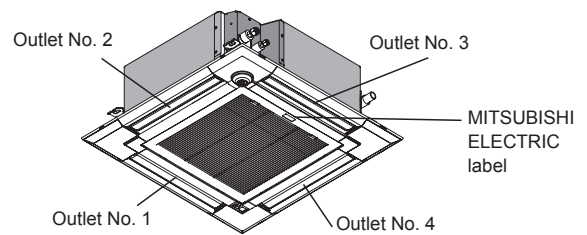
Model	Power supply			IFM		
	Hz	Volts	Voltage range	MCA (A)	Output (kW)	FLA (A)
PLFY-EP06NEMU-E	60 Hz	208 / 230 V	198 – 253 V	0.24	0.050 / 0.050	0.19
PLFY-EP08, EP12, EP15NEMU-E				0.39		0.31
PLFY-EP18NEMU-E1, EP24NEMU-E				0.54	0.120 / 0.120	0.43
PLFY-EP30NEMU-E				0.57		0.45
PLFY-EP36NEMU-E				0.92		0.73
PLFY-EP48NEMU-E				1.27		1.01

5.9. How to set the fixed up/down air direction (Only for wired remote controller)

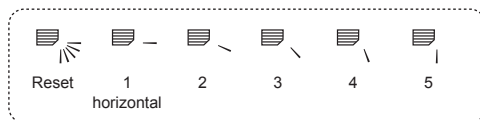
- Only the particular outlet can be fixed to certain direction with the procedures below. Once fixed, only the set outlet is fixed every time air conditioner is turned on. (Other outlets follow UP/DOWN air direction setting of the remote controller.)

■ Explanation of word

- "Refrigerant address No." and "Unit No." are the numbers given to each air conditioner.
- "Outlet No." is the number given to each outlet of air conditioner. (Refer to the right.)
- "Up/Down air direction" is the direction (angle) to fix.



Note: "0" indicates all outlets.



Note:

The outlet No. is indicated by the number of grooves on both ends of each air outlet. Set the air direction while checking the information shown on the remote controller display.



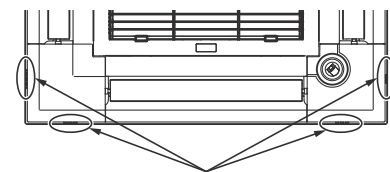
Remote controller setting

The airflow direction of this outlet is controlled by the airflow direction setting of remote controller.

Fixed setting

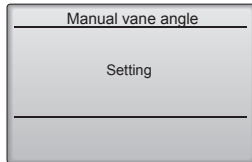
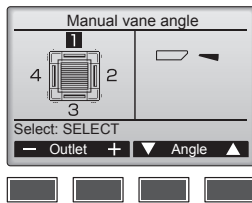
The airflow direction of this outlet is fixed in particular direction.

* When it is cold because of direct airflow, the airflow direction can be fixed horizontally to avoid direct airflow.



Air outlet identification marks

5. Electrical work



If all outlets are selected, will be displayed the next time the unit goes into operation.

Navigating through the screens
 • To return to the previous screen[RETURN] button

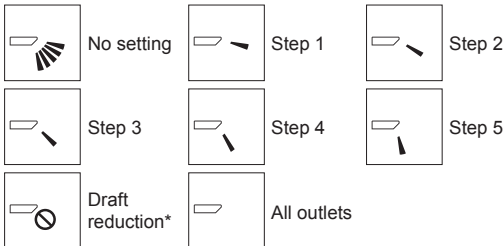
The current vane setting will appear.

Select the desired outlets from 1 through 4 with the [F1] or [F2] button.
 • Outlet: "1", "2", "3", "4", and "1, 2, 3, 4, (all outlets)"

Press the [F3] or [F4] button to go through the option in the order of "No setting (reset)", "Step 1", "Step 2", "Step 3", "Step 4", and "Step 5".

Select the desired setting.

■ Vane setting



* Draft reduction

The airflow direction for this setting is more horizontal than the airflow direction for the "Step 1" setting in order to reduce a drafty feeling. The draft reduction can be set for only 1 vane.

Press the [SELECT/HOLD] button to save the settings.

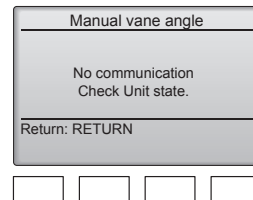
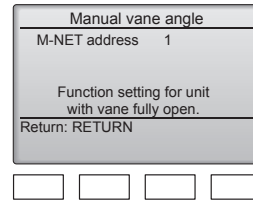
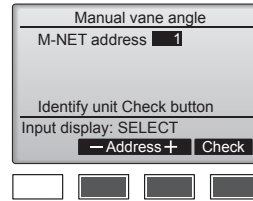
A screen will appear that indicates the setting information is being transmitted.

The setting changes will be made to the selected outlet.

The screen will automatically return to the one shown above (step 4) when the transmission is completed.

Make the settings for other outlets, following the same procedures.

■ Confirmation procedure



① Select the "M-NET address" for the units to whose vanes are to be fixed, with the [F2] or [F3] button. Press the [F4] button to confirm the unit.

② After pressing the [F4] button, wait approximately 15 seconds, and then check the current state of the air conditioner.

→ The vane is pointing downward. → This air conditioner is displayed on the remote controller.

→ All outlets are closed. → Press the [RETURN] button and continue the operation from the beginning.

→ The messages shown to the left are displayed. → The target device does not exist at this refrigerant address.

• Press the [RETURN] button to return to the initial screen.

③ Change the "M-NET address" to the next number.

• Refer to step ① to change the "M-NET address" and continue with the confirmation.

6. Installing the grille

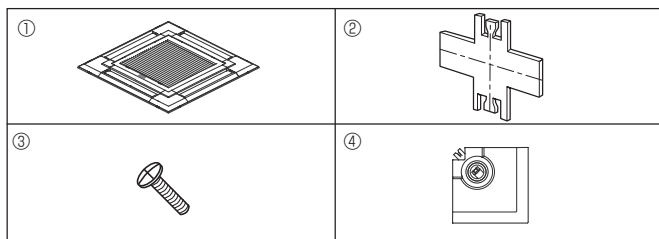


Fig. 6-1

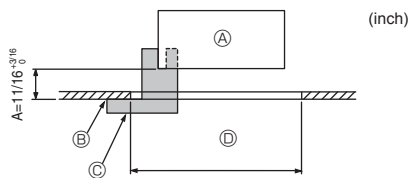


Fig. 6-2

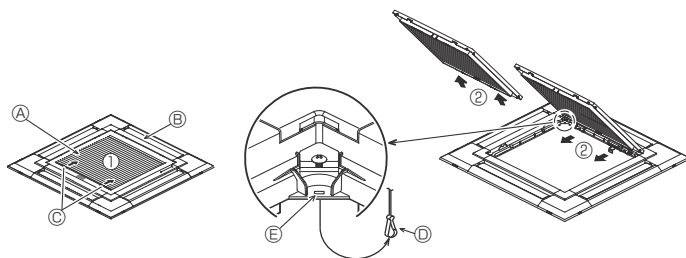


Fig. 6-3

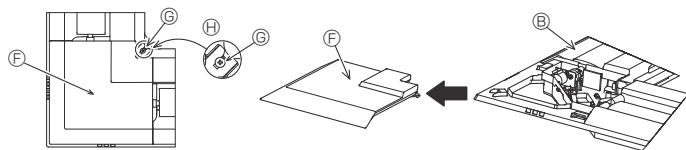


Fig. 6-4

	4-directional	3-directional
Blowout direction patterns	1 pattern: initial setting 	4 patterns: one air outlet fully closed
Blowout direction patterns	2-directional	
Blowout direction patterns	6 patterns: 2 air outlet fully closed 	

Table 1

6.1. Checking the contents (Fig. 6-1)

- This kit contains this manual and the following parts.

	Accessory name	Q'ty	Remarks
①	Grille	1	950 × 950 (mm), 37-13/32 × 37-13/32 (inch)
②	Gauge	1	Divided into 4 parts
③	Screw (4 × 16)	1	For PLFY-EP-NEMU-E(1)
④	3D i-see Sensor corner panel	1	For PLFY-EP-NEMU-E(1)

6.2. Preparing to attach the grille (Fig. 6-2)

- With the gauge ② supplied with this kit, adjust and check the positioning of the unit relative to the ceiling. If the unit is not properly positioned relative to the ceiling, it may allow air leaks or cause condensation to collect.
- Make sure that the opening in the ceiling is within the following tolerances: 860 × 860 - 910 × 910 mm, 33-7/8 × 33-7/8 to 35-13/16 × 35-13/16 inch
- Make sure that A is performed within 17-22 mm, 11/16 - 7/8 inch. Damage could result by failing to adhere to this range.

- ① Main unit
- ② Ceiling
- ③ Gauge ② (inserted into the unit)
- ④ Ceiling opening dimensions

6.2.1. Removing the intake grille (Fig. 6-3)

- Slide the levers in the direction indicated by the arrow ① to open the intake grille.
- Unlatch the hook that secures the grille.

Note:

Do not unlatch the hook for the intake grille.

- With the intake grille in the "open" position, remove the hinge of the intake grille from the grille as indicated by the arrow ②.

6.2.2. Removing the corner panel (Fig. 6-4)

- Loosen the screw from the corner of the corner panel. Slide the corner panel as indicated by the arrow ① to remove the corner panel.

[Fig. 6-3] [Fig. 6-4]

- ① Intake grille
- ② Grille
- ③ Intake grille levers
- ④ Grille hook
- ⑤ Hole for the grille's hook
- ⑥ Corner panel
- ⑦ Screw
- ⑧ Detail

6.3. Selection of the air outlets

For this grille the discharge direction is available in 11 patterns. Also, by setting the remote controller to the appropriate settings, you can adjust the air-flow and speed. Select the required settings from the Table 1 according to the location in which you want to install the unit.

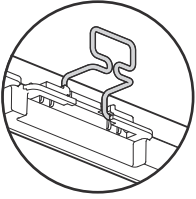
- Decide on the discharge direction pattern.
- Be sure to set the remote controller to the appropriate settings according to the number of air outlets and the height of the ceiling on which the unit will be installed.

Note:

For 3 and 2-directional, please use the air outlet shutter plate (option).

6. Installing the grille

<Hook is in the raised position>



<Hook is in the lowered position>

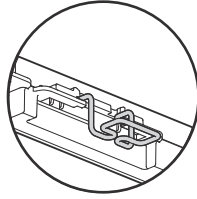
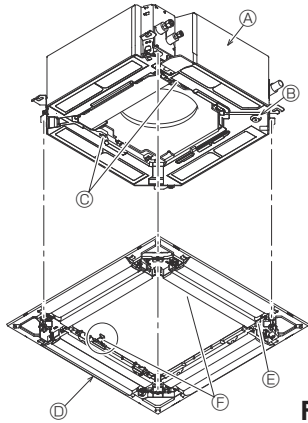


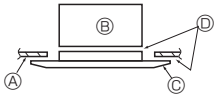
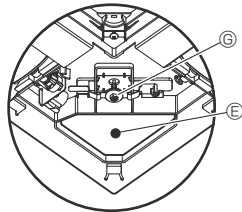
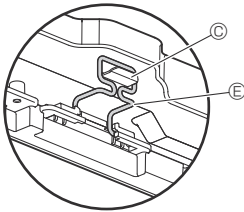
Fig. 6-5



- Ⓐ Main unit
- Ⓑ Corner drain pipe area
- Ⓒ Main unit hook
- Ⓓ Grille
- Ⓔ Drain socket hole
- Ⓕ Temporary hanging hooks on the panel

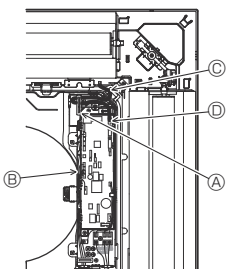
Fig. 6-6

<Grill hook>



- Ⓐ Ceiling
- Ⓑ Main unit
- Ⓒ Grille
- Ⓓ Make sure that there are no gaps.
- Ⓔ Adjust the nut of the main unit using a wrench, etc.

Fig. 6-7



- Ⓐ Clamp of the main unit
- Ⓑ Electrical box
- Ⓒ Lead wire of grille
- Ⓓ CNV connector

Fig. 6-8

6.4. Installing the grille

6.4.1. Preparations (Fig. 6-5)

Check that the two temporary hanging hooks on the grille are in the raised position.

6.4.2. Temporary installation of the grille (Fig. 6-6)

- Align the screw holes in the corners of the grille with the screw mounting holes in the corners of the main unit, latch the two hooks on the grille onto the drain pan projections on the main unit, and temporarily hang the grille.

6.4.3. Securing the grille

- Secure the grille by tightening the four screws. (Fig. 6-6)

Note:

Make sure that there are no gaps between the main unit and the panel or the panel and the ceiling. (Fig. 6-7)

Fixing gaps between the grille and the ceiling

With the grille attached, adjust the height of the main unit to close the gap.

⚠ Caution:

- When tightening the screw with captive washer Ⓒ, tighten it within a tightening torque range of 2.8–3.6 N·m, 2.1–2.6 ft·lbs. Never use an impact screwdriver. It may result in parts damage.
- After tightening the screw, confirm that the two grille hooks (Fig. 6-6) are latched onto the hooks on the main unit.

6.4.4. Wire connection (Fig. 6-8)

- Loosen the 2 screws fixing the electrical box cover of the main unit, and then open the cover.
- Be sure to connect the connector (white, 20-pole) for vane motor of the grille to CNV connector of controller board of the main unit.
- The remaining lead wire is put with clamp in the electrical box of the main unit.
- The electrical box cover of the main unit is closed again with 2 screws.

6. Installing the grille

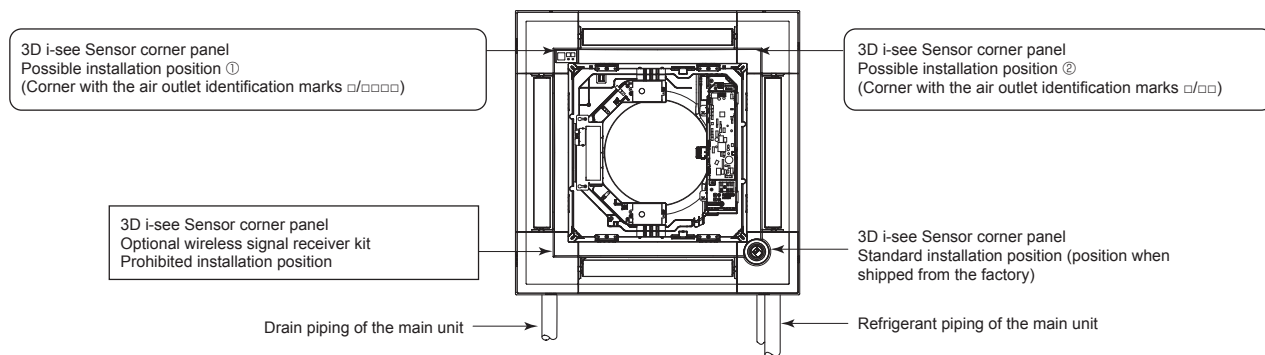


Fig. 6-9

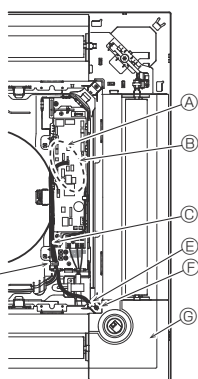


Fig. 6-10

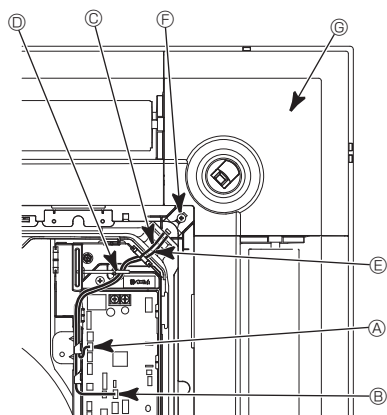


Fig. 6-11

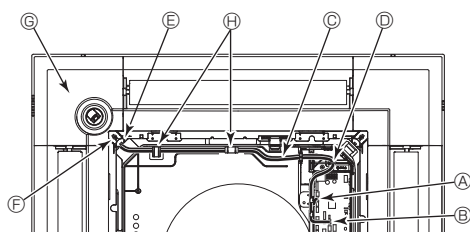


Fig. 6-12

6.5. Installation of 3D i-see Sensor corner panel (Fig. 6-9)

6.5.1. Standard position (Fig. 6-10) and position ② (Fig. 6-11)

- Take the lead wires CN4Z (white, 4-pole) and CN5Y (white, 5-pole) of the 3D i-see Sensor corner panel ④ from the side of the electrical box on the unit and make sure to connect them to the connector of the controller board.
- Fix the excess portions of the lead wires using the clamp in the electrical box, making sure that there is no slack in the lead wires.
- Put the cover back on the electrical box with 2 screws.

Note:

Make sure wires are not caught in the electrical box cover.

- Adverse procedure of “6.2. Preparing to attach the grille” will be taken for installing the 3D i-see Sensor corner panel.
- The 3D i-see Sensor corner panel should be fixed onto the grille ① with screw ③.

6.5.2. Position ① (Fig. 6-12)

- Take the lead wires CN4Z (white, 4-pole) and CN5Y (white, 5-pole) of the 3D i-see Sensor corner panel ④ from the side of the electrical box on the unit and make sure to connect them to the connector of the controller board.
- Route the lead wires through the bell mouth hooks and fix the excess portions of the lead wires using the clamp in the electrical box, making sure that there is no slack in the lead wires.
- Put the cover back on the electrical box with 3 screws.

Note:

Make sure wires are not caught in the electrical box cover.

- * Adverse procedure of “6.2. Preparing to attach the grille” will be taken for installing the 3D i-see Sensor corner panel.
- The 3D i-see Sensor corner panel should be fixed onto the grille ① with screw ③.

[Fig. 6-10] [Fig. 6-11] [Fig. 6-12]

- Ⓐ Controller board CN4Z
- Ⓑ Controller board CN5Y
- Ⓒ 3D i-See sensor corner panel lead wire
- Ⓓ Clamp of electrical box
- Ⓔ Hole of grille (Pass the lead wire.)
- Ⓕ Screw ③
- Ⓖ 3D i-see Sensor corner panel
- Ⓖ Catch of bell mouth

6. Installing the grille

3D i-see Sensor setting and ceiling height setting when the 3D i-see Sensor corner panel position is changed

Set the switches (SW3-3, 3-4, 3-9, and 3-10) on the control board of each indoor unit according to the table below.

Mode	Setting	SW3-3	SW3-4	Initial setting	Check*	Remarks
3D i-see Sensor positioning	Position ①	OFF	OFF			Corner with the air outlet identification marks □/□□□□
	Position ②	ON	OFF			Corner with the air outlet identification marks □/□□
	Standard	OFF	ON	○		Corner with the air outlet identification marks □□/□□□□

Mode	Setting	SW3-9	SW3-10	Initial setting	Check*	Remarks
3D i-see Sensor ceiling height setting	Low ceiling	OFF	OFF			Ceiling height: less than 2.7 m, 8.9 ft
	Standard	ON	OFF	○		Ceiling height: 2.7 – 3.5 m, 8.9 – 11.5 ft
	High ceiling	OFF	ON			Ceiling height: 3.5 m, 11.5 ft or more

* Whenever the function selection is used to change the indoor unit functions after installation, be sure to record all of the settings with a “○” or other mark in the “Check” column of the tables above.

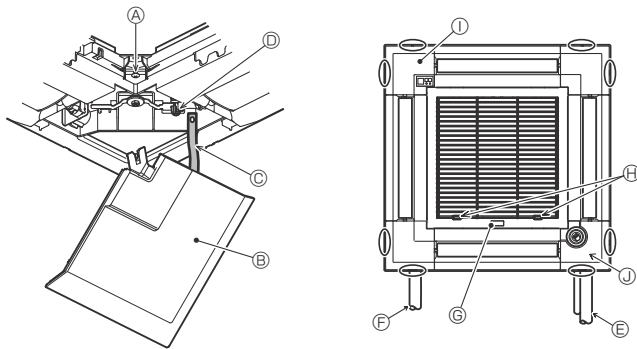


Fig. 6-13

6.6. Installing the intake grille (Fig. 6-13)

Note:

When reinstalling the corner panels (each with a safety wire attached), connect the other end of each safety wire to the grille as shown in the illustration.

Note:

If the corner panels are not attached, they may fall off while the unit is operating.

- Perform the procedure that is described in “6.2. Preparing to attach the grille” in reverse order to install the intake grille and the corner panel.
- Multiple units can be installed with grille so that the position of the logo on each corner panel is consistent with the other units regardless of the orientation of the intake grille. Align the logo on the panel according to the wishes of the customer as shown in the diagram to the left. (The position of the grille can be changed.)

- Ⓐ Screw
- Ⓑ Corner panel
- Ⓒ Safety wire
- Ⓓ Hook
- Ⓔ Refrigerant piping of the main unit
- Ⓕ Drain piping of the main unit
- Ⓖ MITSUBISHI ELECTRIC label

- Installation in any position is possible.
- Ⓜ Initial position of the levers on the intake grille
- Although the clips can be installed in any of 4 positions, the configuration shown here is recommended. (It is not necessary to remove the intake grille when maintenance is performed on the electrical box of the main unit.)

- Ⓜ Receiver
- Ⓜ 3D i-see Sensor

7. Test run

7.1. Before test run

- ▶ After completing installation and the wiring and piping of the indoor and outdoor units, check for refrigerant leakage, looseness in the power supply or control wiring, wrong polarity, and no disconnection of 1 phase in the supply.
- ▶ Use a 500-volt megohmmeter to check that the resistance between the power supply terminals and ground is at least 1.0 MΩ.

- ▶ Do not carry out this test on the control wiring (low voltage circuit) terminals.
- ⚠ Warning:**
Do not use the air conditioner if the insulation resistance is less than 1.0 MΩ.

Controller interface

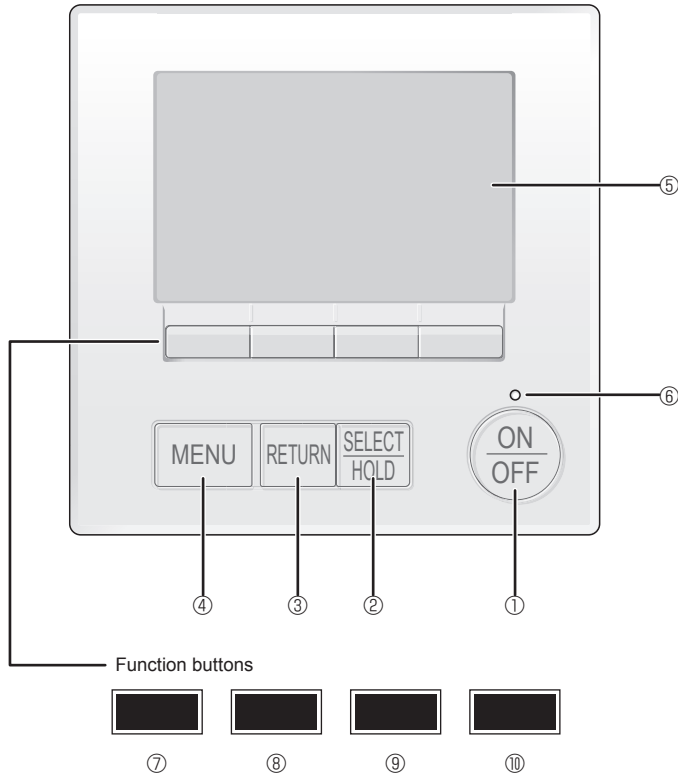


Fig. 7-1

7.2. Test run

The following 2 methods are available.

7.2.1. Using wired MA remote controller (Fig. 7-1)

① [ON/OFF] button

Press to turn ON/OFF the indoor unit.

② [SELECT/HOLD] button

Press to save the setting.

When the Main menu is displayed, pressing this button will enable/disable the HOLD function.

③ [RETURN] button

Press to return to the previous screen.

④ [MENU] button

Press to bring up the Main menu.

⑤ Backlit LCD

Operation settings will appear.

When the backlight is off, pressing any button turns the backlight on and it will stay lit for a certain period of time depending on the screen.

When the backlight is off, pressing any button turns the backlight on and does not perform its function. (except for the [ON/OFF] button)

⑥ ON/OFF lamp

This lamp lights up in green while the unit is in operation. It blinks while the remote controller is starting up or when there is an error.

⑦ Function button [F1]

Main display: Press to change the operation mode.

Menu screen: The button function varies with the screen.

⑧ Function button [F2]

Main display: Press to decrease temperature.

Main menu: Press to move the cursor left.

Menu screen: The button function varies with the screen.

⑨ Function button [F3]

Main display: Press to increase temperature.

Main menu: Press to move the cursor right.

Menu screen: The button function varies with the screen.

⑩ Function button [F4]

Main display: Press to change the fan speed.

Menu screen: The button function varies with the screen.

7. Test run

Step 1 Switch the remote controller to "Test run".

- ① Select "Service" from the Main menu, and press the [SELECT/HOLD] button.
- ② When the Service menu is selected, a window will appear asking for the password. (Fig. 7-2)
To enter the current maintenance password (4 numerical digits), move the cursor to the digit you want to change with the [F1] or [F2] button, and set each number (0 through 9) with the [F3] or [F4] button. Then, press the [SELECT/HOLD] button.

Note: The initial maintenance password is "9999". Change the default password as necessary to prevent unauthorized access. Have the password available for those who need it.

Note: If you forget your maintenance password, you can initialize the password to the default password "9999" by pressing and holding the [F1] and [F2] buttons simultaneously for three seconds on the maintenance password setting screen.

- ③ Select "Test run" with the [F1] or [F2] button, and press the [SELECT/HOLD] button. (Fig. 7-3)
- ④ Select "Test run" with the [F1] or [F2] button, and press the [SELECT/HOLD] button. (Fig. 7-4)

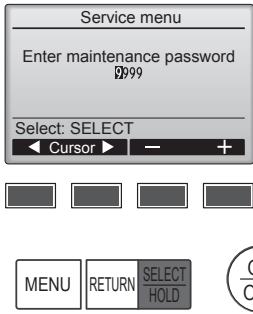


Fig. 7-2

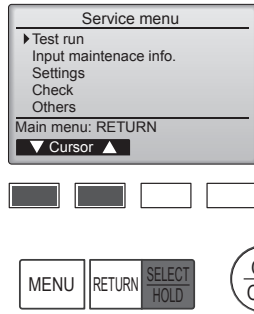


Fig. 7-3

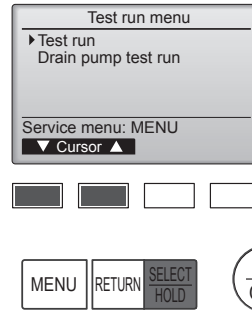


Fig. 7-4

Step 2 Perform the test run and check the airflow temperature and auto vane.

- ① Press the [F1] button to go through the operation modes in the order of "Cool" and "Heat". (Fig. 7-5)
Cool mode: Check the cold air blow off.
Heat mode: Check the heat blow off.

Note:
Check the operation of the outdoor unit's fan.

- ② Press the [SELECT/HOLD] button and open the Vane setting screen.

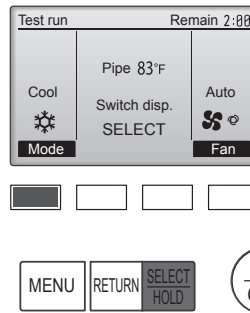


Fig. 7-5

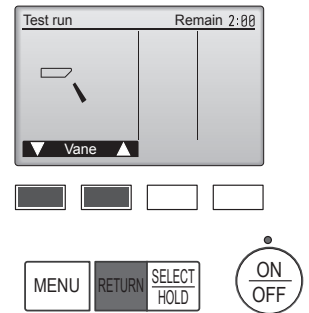


Fig. 7-6

AUTO vane check

- ① Check the auto vane with the [F1] [F2] buttons. (Fig. 7-6)
- ② Press the [RETURN] button to return to "Test run operation".
- ③ Press the [ON/OFF] button.

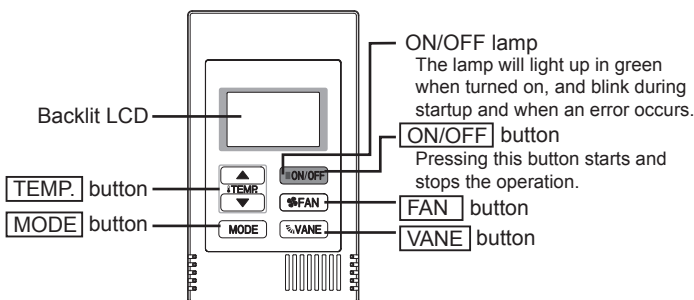


Fig. 7-7

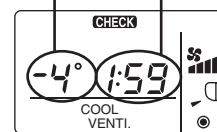
7.2.2. Test run

Using Simple MA remote controller (Fig. 7-7)

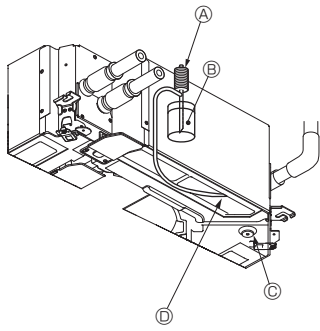
- ① Before making a test run, refer to the "Test Run" section of the indoor unit installation manual.
- ② When the [ON/OFF] button and [TEMP. ▲] button are pressed simultaneously for 2 seconds or longer, test run is performed.
- ③ Stop the test run by pressing the [ON/OFF] button.
- ④ If an error code is displayed on the remote controller or if the air conditioner does not operate properly, refer to the outdoor unit installation manual or other technical materials.

Indoor unit piping temperature
Display range: -4°F (-20°C) to 158°F (70°C)
"-4°F" or "158°F" flashes on the display.

Test run time
The remaining time for test run is displayed.
Display range: 2:00 to 0:01
After two hours, the test run stops automatically.



7. Test run



- Ⓐ Water supply pump
- Ⓑ Water (about 1000 cc, 1/4 gal)
- Ⓒ Drain plug
- Ⓓ Pour water through outlet
 - Be careful not to spray water into the drain pump mechanism.

Fig. 7-8

7.3. Check of drainage (Fig. 7-8)

- Ensure that the water is being properly drained out and that no water is leaking from joints.

When electric work is completed.

- Pour water during cooling operation and check.

When electric work is not completed.

- Pour water during emergency operation and check.
- Drain pan and fan are activated simultaneously when single phase 208/230V is turned on to L1 and L2 on terminal block after the connector (SWE) on controller board in the electrical branch box is set to ON.

Be sure to turn it back to the former state after work.

1. Consignes de sécurité.....	1	5. Installations électriques.....	5
2. Installation de l'appareil intérieur.....	1	6. Installer la grille.....	10
3. Installation de la tuyauterie du réfrigérant.....	3	7. Marche d'essai.....	14
4. Mise en place du tuyau d'écoulement.....	4		

Remarque :

Dans le présent manuel d'utilisation, l'expression "Contrôle à distance simple MA" fait référence au modèle PAC-YT53CRAU.

Dans le présent manuel d'installation, l'expression "Télécommande filaire" fait référence uniquement au modèle PAR-40MAA.

Pour toute information sur l'autre télécommande, reportez-vous au livret d'instructions ou au manuel de paramétrage initial fournis dans les boîtes.

1. Consignes de sécurité

- ▶ Avant d'installer le climatiseur, lire attentivement toutes les "Consignes de sécurité".
- ▶ Veuillez consulter ou obtenir l'autorisation de votre compagnie d'électricité avant de connecter votre système.

⚠ Avertissement :

Précautions à suivre pour éviter tout danger de blessure ou de décès de l'utilisateur.

⚠ Précaution :

Décrit les précautions qui doivent être prises pour éviter d'endommager l'appareil.

Une fois l'installation terminée, expliquer les "Consignes de sécurité", l'utilisation et l'entretien de l'appareil au client conformément aux informations du mode d'emploi et effectuer l'essai de fonctionnement en continu pour garantir un fonctionnement normal. Le manuel d'installation et le mode d'emploi doivent être fournis à l'utilisateur qui doit les conserver. Ces manuels doivent également être transmis aux nouveaux utilisateurs.

⚠ Avertissement :

- Demandez à votre revendeur ou à un technicien agréé d'installer le climatiseur.
- Installez l'appareil sur une structure capable de supporter son poids.
- Ne pas modifier l'appareil. Cela pourrait provoquer un risque d'incendie, d'électrocution, de blessure ou de fuite d'eau.
- N'utiliser que les câbles spécifiés pour les raccordements. Les raccordements doivent être réalisés correctement sans tension sur les bornes. Ne jamais effectuer de jonction sur les câbles (sauf en cas d'indications contraires). Le non respect de cette consigne peut entraîner une surchauffe ou un incendie.
- Utiliser uniquement les accessoires agréés par Mitsubishi Electric et demander à votre revendeur ou à une société agréée de les installer.
- Ne touchez jamais les ailettes de l'échangeur de chaleur.
- Installez le climatiseur en respectant les instructions du manuel d'installation.
- Demandez à un électricien agréé d'effectuer l'installation électrique conformément aux réglementations locales.
- N'utilisez pas de raccordement intermédiaire des fils électriques.
- Si le climatiseur est installé dans une pièce relativement petite, certaines mesures doivent être prises pour éviter que la concentration de réfrigérant ne dépasse le seuil de sécurité en tenant compte des possibilités de fuites de réfrigérant.

⚠ Précaution :

- N'utilisez pas la tuyauterie de réfrigérant existante lorsque vous utilisez le réfrigérant R410A.
- Appliquez une petite quantité d'huile ester, d'huile d'éther ou d'alkylbenzène comme huile réfrigérante sur les sections évasées lorsque vous utilisez le réfrigérant R410A.
- N'utilisez pas le climatiseur près d'animaux ou de plantes ou près d'aliments, d'instruments de précision ou d'objets d'art.
- N'utilisez pas le climatiseur dans certains environnements.
- Mettez l'appareil à la terre.
- Installez un disjoncteur à boîtier moulé, si nécessaire.

⚡ : Indique une action qui doit être évitée.

⚠ : Indique que des instructions importantes doivent être prises en considération.

⚡ : Indique un élément qui doit être mis à la terre.

⚠ : Indique des précautions à prendre lors du maniement de pièces tournantes.

⚡ : Indique que l'interrupteur d'alimentation principal doit être désactivé avant d'effectuer tout travail d'entretien.

⚡ : Danger d'électrocution.

⚠ : Attention, surface chaude.

⚡ ELV : Lors de travaux d'entretien, coupez l'alimentation de l'appareil intérieur ainsi que de l'appareil extérieur.

⚠ Avertissement :

Prendre soin de lire les étiquettes se trouvant sur l'appareil principal.

- Les parties détachées de la face prédécoupée peuvent blesser l'installateur (coupure, etc.). Il lui est donc demandé de porter des vêtements de protection (gants, etc.).
- Lors de l'installation, du déplacement ou de l'entretien du climatiseur, n'utilisez que le réfrigérant spécifié (R410A) pour remplir les tuyaux de réfrigérant. Ne pas le mélanger avec un autre réfrigérant et faire le vide d'air dans les tuyaux. Si du réfrigérant est mélangé avec de l'air, cela peut provoquer des pointes de pression dans les tuyaux de réfrigérant et entraîner une explosion et d'autres risques. L'utilisation d'un réfrigérant différent de celui spécifié pour le climatiseur peut entraîner des défaillances mécaniques, des dysfonctionnements du système ou une panne de l'appareil. Dans le pire des cas, cela peut entraîner un obstacle à la mise en sécurité du produit.
- L'appareil doit être installé conformément aux réglementations nationales relatives au câblage.
- Si le cordon d'alimentation est endommagé, il doit être remplacé par le fabricant, ses revendeurs ou un technicien qualifié pour éviter tout danger de choc électrique.

• Utilisez des câbles d'alimentation dont la capacité à distribuer le courant et la valeur nominale sont adéquates.

• Utilisez uniquement un disjoncteur à boîtier moulé et un fusible de la capacité spécifiée.

• Ne touchez pas les interrupteurs avec les doigts mouillés.

• Ne touchez pas les tuyaux de réfrigérant pendant ou immédiatement après le fonctionnement.

• Ne faites pas fonctionner le climatiseur lorsque les panneaux et dispositifs de sécurité ont été enlevés.

• Ne mettez pas l'appareil immédiatement hors tension après son fonctionnement.

2. Installation de l'appareil intérieur

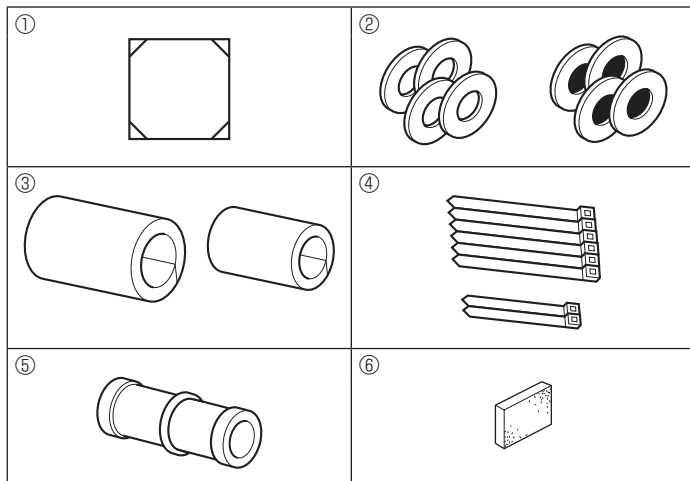


Fig. 2-1

2.1. Vérifier les accessoires qui accompagnent l'appareil intérieur (Fig. 2-1)

L'appareil intérieur doit être livré avec les accessoires suivants :

	Nom de l'accessoire	Qté
①	Schéma d'installation	1
②	Rondelles (avec isolation)	4
	Rondelles (sans isolation)	4
③	Cache-tuyaux (pour le raccord des tuyaux de réfrigérant)	
	petit diamètre	1
④	Courroie (grands)	6
	Courroie (petits)	2
⑤	Prise d'écoulement	1
⑥	Isolation	1

2. Installation de l'appareil intérieur

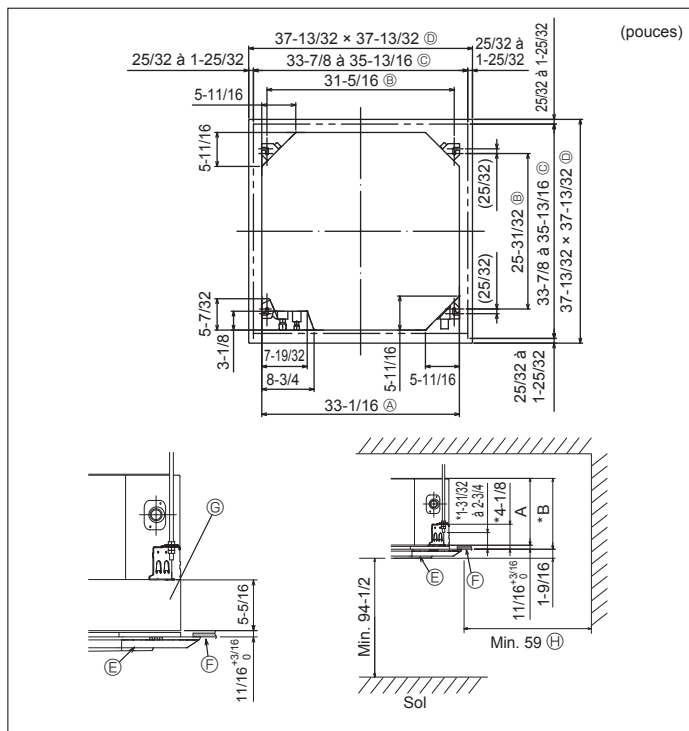


Fig. 2-2

2.2. Ouvertures dans le plafond et emplacement des boulons de suspension (Fig. 2-2)

⚠ Précaution :

Installer l'appareil intérieur à 2,4 m (94-1/2 pouces) au moins au-dessus du sol ou sur un plan surélevé.

Pour les appareils qui ne sont pas accessibles au public.

- Utiliser le schéma d'installation (dans le haut du colis) et le gabarit (fourni comme accessoire avec la grille) pour créer une ouverture dans le plafond de sorte à pouvoir installer l'appareil principal comme illustré sur le schéma. (Les méthodes d'utilisation du schéma et du gabarit sont indiquées également.)
 - * Avant toute utilisation, vérifier les dimensions du schéma et du gabarit car celles-ci peuvent changer en fonction de la température et de l'humidité.
 - * Les dimensions de l'ouverture dans le plafond peuvent être définies au sein de la plage indiquée dans la Fig. 2-2 ; centrer l'appareil principal par rapport à l'ouverture dans le plafond, en veillant à la symétrie de chaque côté par rapport à l'orifice.
- Utiliser des boulons de suspension M10 (3/8").
 - * L'acquisition des boulons de suspension doit se faire localement.
- Installer l'appareil de manière sûre, en veillant à ce qu'il n'y ait pas de vide entre le panneau du plafond et la grille ni entre l'appareil principal et la grille.

- Ⓐ Partie extérieure de l'appareil principal Ⓔ Grille
- Ⓑ Ecartement entre les boulons Ⓕ Plafond
- Ⓒ Ouverture dans le plafond Ⓖ Boîtier multifonctions (optionnel)
- Ⓓ Partie extérieure de la grille Ⓗ Toute la périphérie

* Ne pas oublier que l'espace laissé entre le panneau de l'appareil côté plafond et le pan de plafond, etc. doit être de 10 à 15 mm, 25/64 à 19/32 pouces.

* Lors de l'installation du boîtier multifonctions disponible en option, ajouter 135 mm, 5-5/16 pouces aux dimensions indiquées dans la figure.

(mm, pouces)

Modèles	A	B
EP06-15	241, 9-1/2	258, 10-3/16
EP18-48	281, 11-1/16	298, 11-3/4

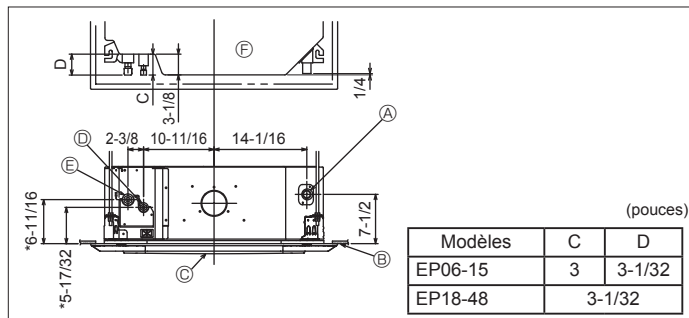


Fig. 2-3

2.3. Emplacement des tuyaux de réfrigérant et d'écoulement de l'appareil intérieur

Les chiffres marqués d'une * sur le croquis représentent les dimensions de l'appareil principal sans tenir compte de celles du boîtier multifonctions disponible en option. (Fig. 2-3)

- Ⓐ Tuyau d'évacuation
- Ⓑ Plafond
- Ⓒ Grille
- Ⓓ Tuyau de réfrigérant (liquide)
- Ⓔ Tuyau de réfrigérant (gaz)
- Ⓕ Appareil principal

* Lors de l'installation d'un boîtier multifonctions disponible en option, ajouter 135 mm, 5-5/16 pouces aux dimensions indiquées sur le croquis.

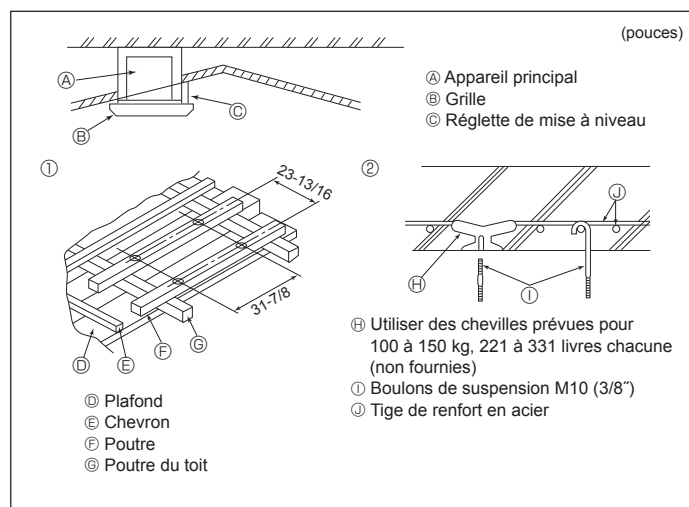


Fig. 2-4

2.4. Structure de suspension (Construire une structure renforcée à l'endroit de suspension de l'appareil) (Fig. 2-4)

- Les travaux à effectuer au plafond varient en fonction du type d'édifice. Il convient de consulter les constructeurs et les décorateurs du bâtiment pour plus de détails.
 - Étendue de la découpe dans le plafond : Le plafond doit être parfaitement à l'horizontale et ses fondations (encadrement : linteaux de bois ou supports de linteaux) doivent être renforcées afin d'éviter qu'il ne vibre.
 - Découper et déposer les fondations du plafond.
 - Renforcer les extrémités de la fondation du plafond à l'endroit de la découpe et ajouter une fondation de renfort pour assurer les extrémités des traverses du plafond.
 - Lors de l'installation de l'appareil sur un plafond incliné, installer une réglette de mise à niveau entre le plafond et la grille de telle sorte que l'appareil soit à l'horizontale.

① Structures en bois

- Utiliser les tirants (pour les maisons de plain-pied) ou les poutres de l'étage (pour les maisons à étage) comme renforts.
- Les poutres en bois devant servir à soutenir les climatiseurs doivent être robustes et leurs côtés doivent avoir au moins 60 mm, 2-3/8 pouces de long si les poutres sont séparées d'un intervalle de maximum 900 mm, 35-7/16 pouces ou ils doivent avoir 90 mm, 3-9/16 pouces de long si les poutres sont séparées par un intervalle allant jusqu'à 1800 mm, 70-7/18 pouces. Les boulons de suspension doivent avoir 10 mm de diamètre (3/8"). (Ces boulons ne sont pas livrés avec l'appareil.)

② Structures en béton armé

Fixer les boulons de suspension à l'aide de la méthode illustrée ou utiliser des chevilles en acier ou en bois, etc. pour installer les boulons de suspension.

2. Installation de l'appareil intérieur

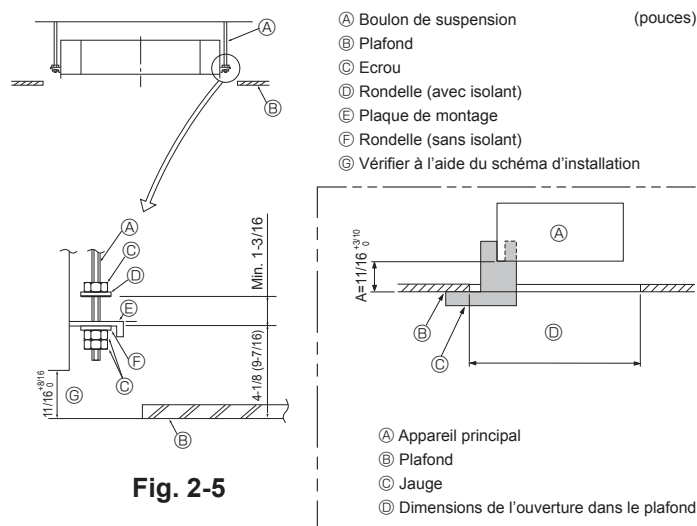


Fig. 2-5

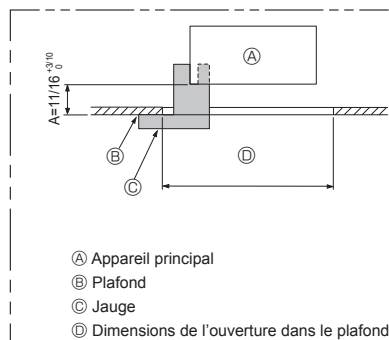


Fig. 2-6

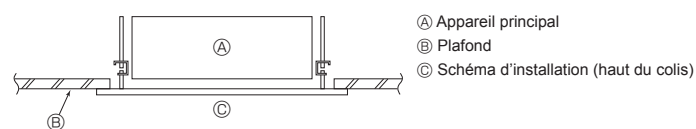


Fig. 2-7

3. Installation de la tuyauterie du réfrigérant

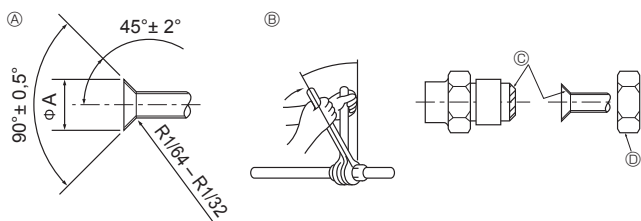


Fig. 3-1

A) Dimension de l'évasement

Diam. ext. Tuyau en cuivre (mm, pouce)	Dimensions évasement Dimensions φA (mm, pouce)
ø6,35, 1/4	8,7 - 9,1, 11/32-23/64
ø9,52, 3/8	12,8 - 13,2, 1/2-33/64
ø12,7, 1/2	16,2 - 16,6, 41/64-21/32
ø15,88, 5/8	19,3 - 19,7, 49/64-25/32
ø19,05, 3/4	22,9 - 23,3, 15/16-61/64

B) Diamètres des tuyaux de réfrigérant & couple de serrage des raccords coniques

	Tuyau à liquid		Tuyau à gaz		Diam. ext. raccord conique	
	Diamètre du tuyau (mm) (pouce)	Couple de serrage (N.m) (pieds, livres)	Diamètre du tuyau (mm) (pouce)	Couple de serrage (N.m) (pieds, livres)	Tuyau à liquid (mm) (pouce)	Tuyau à gaz (mm) (pouce)
EP06, EP08, EP12, EP15, EP18	ODø6,35 1/4	14 - 18 10 - 13	ODø12,7 1/2	49 - 61 35 - 44	17 43/64	26 1-1/32
EP24, EP30, EP36, EP48	ODø9,52 3/8	34 - 42 25 - 30	ODø15,88 5/8	68 - 82 49 - 59	22 7/8	29 1-9/64

C) Appliquer de l'huile réfrigérante sur toute la surface évasée du fond.

2.5. Méthodes de suspension de l'appareil (Fig. 2-5)

Suspendre l'appareil principal comme indiqué sur le diagramme.

Les chiffres fournis entre parenthèses représentent les dimensions nécessaires en cas d'installation d'un boîtier multifonctions en option.

- Poser à l'avance les éléments sur les boulons de suspension dans l'ordre rondelles (avec isolant), rondelles (sans isolant) et écrous (double).
 - Placer la rondelle avec isolant de telle sorte que la partie isolante soit tournée vers le bas.
 - En cas d'utilisation de rondelles supérieures pour suspendre l'appareil principal, les rondelles inférieures (avec isolant) et les écrous (doubles) doivent être installés postérieurement.
- Lever l'appareil à la hauteur adéquate des boulons de suspension pour introduire la plaque de montage entre les rondelles et la serrer convenablement.
- Lorsque l'appareil principal ne peut pas être aligné contre l'orifice de montage au plafond, il est possible de le régler par une fente prévue sur la plaque de montage.
 - S'assurer que le point A s'effectue dans une fourchette allant de 17 à 22 mm, 11/16 à 7/8 pouce. Le non respect de cette marge pourrait être à l'origine de certains dégâts. (Fig. 2-6)

⚠ Précaution :

Utiliser la moitié supérieure du carton comme couvercle de protection pour empêcher les poussières ou les débris de pénétrer à l'intérieur de l'appareil avant la mise en place du couvercle de finition ou lors de l'application de matériaux de revêtement du plafond.

2.6. Confirmer l'emplacement de l'appareil principal et serrer les boulons de suspension (Fig. 2-7)

- A l'aide du gabarit fixé à la grille, s'assurer que le bas de l'appareil est aligné par rapport à l'ouverture dans le plafond. Veiller à bien vérifier ce point sinon des gouttes de condensation dues aux fuites d'air, etc. risquent de tomber.
- A l'aide d'un niveau ou d'un tube en vinyle rempli d'eau, vérifier que l'appareil principal soit bien à l'horizontale.
- Lorsque la bonne position de l'appareil principal est définie avec certitude, serrer convenablement les écrous des boulons de suspension pour le fixer.
- Le schéma d'installation (dans le haut du colis) peut servir de feuille protectrice pour empêcher la poussière de pénétrer à l'intérieur de l'appareil lorsque les grilles doivent rester enlevées pendant un certain temps ou si le recouvrement du plafond doit être remis en place ou ré-égalisé après l'installation de l'appareil.

Remarque :

Pour plus de détails concernant le montage, veuillez vous reporter aux instructions du schéma d'installation. (haut du colis)

3.1. Connexion des tuyaux (Fig. 3-1)

- En cas d'utilisation de tuyaux en cuivre disponibles sur le marché, envelopper les tuyaux de liquide et de gaz avec de la matière isolante vendue dans le commerce sur le marché (résistant à une chaleur de 100 °C, 212 °F ou supérieure et d'une épaisseur de 12 mm, 1/2 pouce ou plus).
- Appliquer un film mince d'huile réfrigérante sur la surface du tuyau et du support du joint avant de serrer l'écrou évasé.
- Utiliser deux clés pour serrer les connexions des tuyaux.
- Utiliser la matière isolante des tuyaux de réfrigérant fournie afin d'envelopper les connexions des appareils intérieurs. Effectuer l'isolation avec soin.
- Après le raccordement du tuyau de réfrigérant à l'appareil intérieur, vérifier toutes les connexions et s'assurer qu'il n'y a pas de fuite de gaz en envoyant de l'azote à l'état gazeux dans les tuyaux (Vérifier qu'il n'y a pas de fuite de réfrigérant au niveau du tuyau de réfrigérant connecté à l'appareil intérieur).
- Utilisez l'écrou évasé monté sur cet appareil intérieur.
- En cas de repose des tuyaux de réfrigérant après démontage, refaites la partie évasée du tuyau.

3. Installation de la tuyauterie du réfrigérant

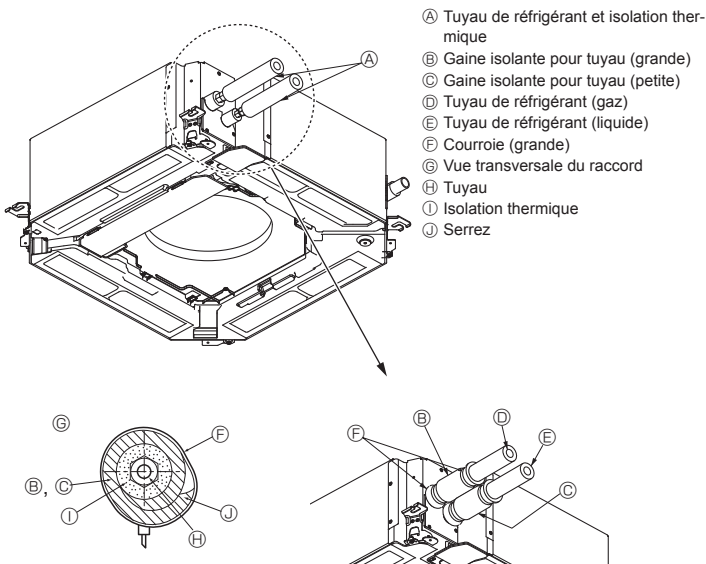


Fig. 3-2

3.2. Appareil intérieur (Fig. 3-2)

Isolation des tuyaux de réfrigérant contre la chaleur :

- 1 Enrouler le cache-tuyaux de grande dimension fourni autour du tuyau de gaz, en s'assurant que l'extrémité du cache-tuyaux touche le côté de l'appareil.
- 2 Enrouler le cache-tuyaux de petite dimension fourni autour du tuyau de liquide, en s'assurant que l'extrémité du cache-tuyaux touche le côté de l'appareil.
- 3 Fixer les deux extrémités de chaque cache-tuyaux à l'aide des bandes fournies. (Attacher les bandes à 20 mm, 25/32 pouce des extrémités des cache-tuyaux.)

4. Mise en place du tuyau d'écoulement

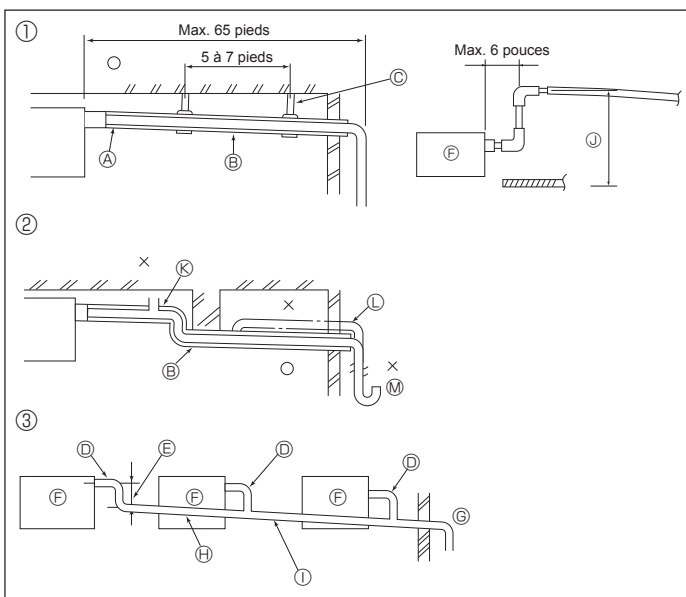


Fig. 4-1

4.1. Mise en place du tuyau d'écoulement (Fig. 4-1)

- Les parties intérieures du tuyau d'écoulement doivent également être entourées de matière isolante en mousse de polyéthylène (avec une poids spécifique que de 0,03 et de 9 mm, 11/32 pouce d'épaisseur ou plus).
- Utiliser un tuyau VP25 (en PVC, O.D. ø32 mm, 1-1/4 pouces) pour les tuyaux d'écoulement et prévoir une pente de 1/100 ou plus.
- Veillez à toujours raccorder les joints des tuyauteries à l'aide d'adhésif de type PVC.
- Se baser sur le schéma pour les travaux de mise en place des tuyaux.
- Utiliser le tuyau d'écoulement livré pour modifier le sens d'évacuation.

- | | |
|---|---|
| ① Tuyautage correct | Ⓜ Prévoir un orifice suffisamment grand pour la mise en place groupée des tuyaux. |
| ② Tuyautage erroné | Ⓨ Pente descendante (1/100 ou plus) |
| ③ Mise en place groupée des tuyaux | Ⓩ Tube en PVC, O.D. ø38 mm, 1-1/2 pouces pour la mis en place groupée des tuyaux. (isolant de 9 mm, 11/32 pouces ou plus) |
| ⓐ Isolant (9 mm, 11/32 pouce ou plus) | ⓓ Jusqu'à 850 mm, 33-7/16 pouces |
| ⓑ Pente descendante (1/100 ou plus) | Ⓚ Soufflerie d'air |
| ⓒ Support métallique | Ⓛ Soulevé |
| ⓓ Tube en PVC de O.D. ø32 mm, 1-1/4 pouces | Ⓜ Trappe à odeurs |
| ⓔ Passage aussi long que possible. (environ 100 mm, 3-15/16 pouces) | |
| ⓕ Appareil intérieur | |

1. Raccorder la prise d'écoulement (fourni avec l'appareil) au port de drainage. (Fig. 4-2) (Apposer le tube à l'aide de ruban adhésif en PVC puis le fixer avec une sangle.)
2. Installer un tuyau de drainage à se procurer sur place (tuyau en PVC, O.D. ø32 mm, 1-1/4 pouces). (Apposer le tuyau à l'aide de ruban adhésif en PVC puis le fixer avec une sangle.)
3. Vérifier si le drainage s'effectue normalement, de manière régulière.
4. Isoler l'orifice et la douille de vidange avec un matériau isolant, puis fixez l'isolant avec une sangle. (Le matériau isolant et la sangle sont tous deux fournis avec l'appareil.)
5. Isoler le tube et le tuyau. (Tuyau en PVC, O.D. ø32 mm, 1-1/4 pouces)

- | | |
|----------------------------------|---|
| ⓐ Appareil principal | Ⓞ Tuyau de drainage (Tuyau en PVC, O.D. ø32 mm, 1-1/4 pouces) |
| ⓑ Matière isolante | Ⓢ Matière isolante (à se procurer sur place) |
| ⓒ Courroie | Ⓣ Tuyau en PVC transparent |
| ⓓ Port de drainage (transparent) | Ⓤ Tuyau en PVC, O.D. ø32 mm, 1-1/4 pouces (Avec une pente minimum de 1/100) |
| ⓔ Marge d'insertion | |
| ⓕ Correspondance | Ⓥ Prise d'écoulement |

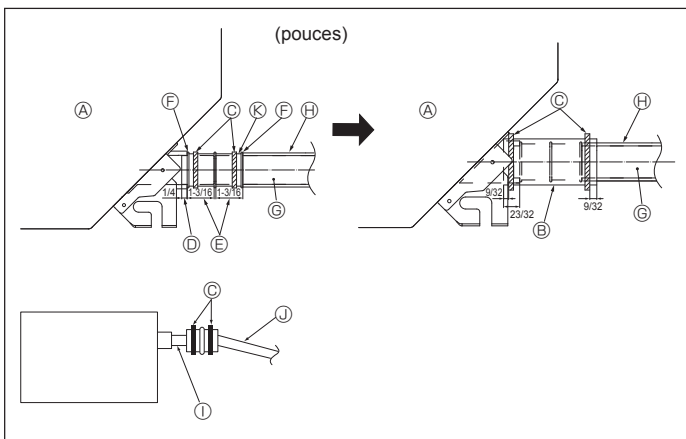


Fig. 4-2

5. Installations électriques

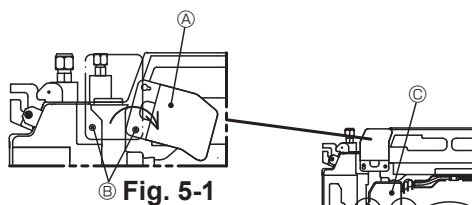


Fig. 5-1

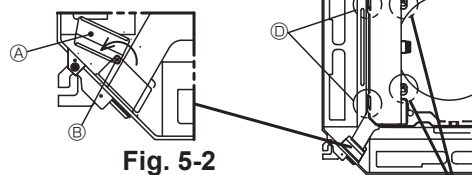


Fig. 5-2

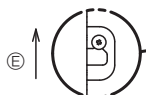


Fig. 5-3

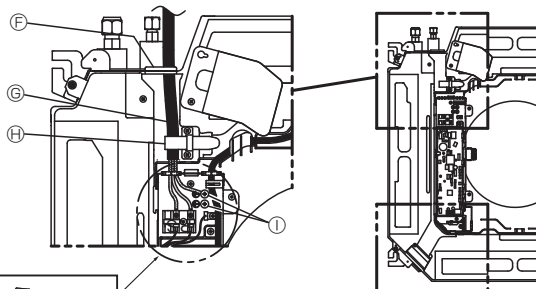


Fig. 5-4

Bornier d'alimentation

Veillez à raccorder le câble VVF (max. $\varnothing 1/16$) dans la rainure en U.

Remarque :

1. Pour ouvrir la rainure en U, appuyez sur la tête de la vis après avoir desserré cette dernière.
2. Veillez à insérer des câbles de même diamètre.

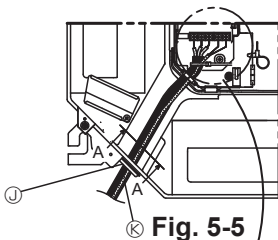
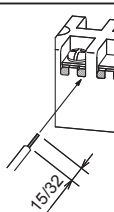


Fig. 5-5

Arrangez les câbles de manière à ce qu'ils ne soulèvent pas le panneau de service du câblage électrique.

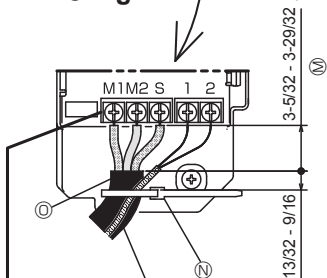
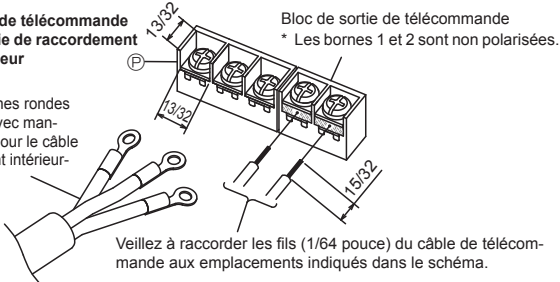


Fig. 5-6

Fixez correctement le câble de télécommande et le câble de connexion intérieur-extérieur à l'aide de la bride pour câblage. Si un seul câble de raccordement intérieur-extérieur est raccordé, fixez-le à l'aide de la bride pour câblage en respectant les dimensions indiquées sur le diagramme.

Bloc de sortie de télécommande et bloc de sortie de raccordement intérieur-extérieur

Utilisez des bornes rondes sans souder avec manchons isolants pour le câble de raccordement intérieur-extérieur.



Veillez à raccorder les fils (1/16 pouce) du câble de télécommande aux emplacements indiqués dans le schéma.

5.1. Appareil intérieur

* Veillez à terminer l'installation électrique avant d'installer la grille.

1. Desserrez les deux vis fixant le panneau de service du câblage électrique au niveau de l'entrée de câble (câble d'alimentation) puis tournez le panneau dans la position indiquée sur le diagramme. (Fig. 5-1)
2. Desserrez la vis fixant le panneau de service du câblage électrique au niveau de l'entrée de câble (câble de télécommande et câble de raccordement intérieur-extérieur) puis tournez le panneau dans la position indiquée sur le diagramme. (Fig. 5-2)
3. Desserrez les deux vis fixant le couvercle de boîtier électrique puis glissez le couvercle et déposez-le. (Le couvercle peut être suspendu temporairement.) (Fig. 5-3)
4. Acheminez les câbles dans l'appareil intérieur par les entrées de câbles respectives.
5. Fixez fermement les câbles aux blocs de sortie. (Fig. 5-4, 5-5)

Remarque :

1. Pour le couple de serrage des vis des blocs de sortie, reportez-vous au tableau ci-dessous.
2. Laissez un jeu suffisant dans les câbles, de manière qu'il soit possible de suspendre le boîtier électrique sous l'appareil au cours des entretiens.
6. Fixez le câble d'alimentation sur l'appareil à l'aide de la bride pour câblage. (Fig. 5-4)
7. Fixez correctement le câble de télécommande et le câble de raccordement intérieur-extérieur sur l'appareil à l'aide de la bride pour câblage.
8. Installez les pièces déposées à leur emplacement d'origine.

- (A) Panneau de service du câblage électrique
- (B) Vis
- (C) Couvercle de boîtier électrique
- (D) Crochet provisoire pour le couvercle de boîtier électrique
- (E) Direction de glissement du couvercle de boîtier électrique
- (F) Entrée de câble (câble d'alimentation)
- (G) Câble d'alimentation
- (H) Fixer avec la bride pour câblage
- (I) Point de raccordement du câble de mise à la terre
- (J) Entrée de câble (câble de télécommande et câble de raccordement intérieur-extérieur)
- (K) Câble de télécommande et câble de raccordement intérieur-extérieur
- (L) Bac de récupération
- (M) Longueur du câble non couverte par la gaine du câble de raccordement intérieur-extérieur
- (N) Bride pour câblage
- (O) Gaine du câble de raccordement intérieur-extérieur
- (P) Bloc de sortie de raccordement intérieur-extérieur

Couple de serrage des vis de blocs de sortie

	Couple de serrage (ft.lbs)
Bloc de sortie de télécommande	0,9 ± 0,1
Bloc de sortie de raccordement intérieur-extérieur	0,9 ± 0,1
Bloc de sortie d'alimentation	0,9 ± 0,1



AVERTISSEMENT

Ne jamais raccorder à une alimentation 208 - 230 VCA.

Précautions relatives à l'installation électrique

* Observer les précautions suivantes pour chaque bloc de sortie.



• Raccorder des fils de même diamètre des deux côtés.



AVERTISSEMENT



• Il est interdit de raccorder deux fils d'un même côté.



• Il est interdit de raccorder trois fils ou plus à la même borne.



• Il est interdit de raccorder des fils de diamètres différents.

5. Installations électriques

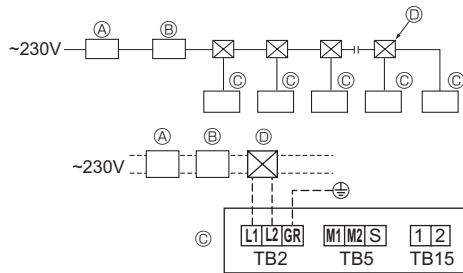


Fig. 5-7

5.2. Câblage d'alimentation

- Les dimensions de câblage doivent respecter la réglementation applicable au niveau local et national.
- Utiliser des fils électriques en cuivre.
Utiliser des fils UL de 300 V ou plus pour les câbles d'alimentation.
- Installez un fil de terre plus long que les autres câbles.
- Un commutateur avec séparation de contact d'au moins 3 mm, 1/8 pouce, dans chaque pôle doit être assuré par l'installation de climatisation.

[Fig. 5-7]

- Ⓐ Disjoncteur de fuite à la terre
- Ⓑ Commutateur local/Disjoncteur
- Ⓒ Appareil intérieur
- Ⓓ Boîte de tirage

⚠ Avertissement :

Ne jamais effectuer de jonction du câble d'alimentation ou du câble de raccordement intérieur-extérieur car cela peut entraîner une surchauffe, un incendie ou un raccordement défaillant.

Courant de fonctionnement total de l'appareil intérieur	Épaisseur minimum câble (mm ² /AWG)					Disjoncteur de câblage (NFB)	Disjoncteur de fuite à la terre *1
	Câble principal	Ramification	Terre	Capacité	Fusible		
F0 = 15 A ou moins *2	2,1/14	2,1/14	2,1/14	15	15	15	Sensibilité de courant 15 A *3
F0 = 20 A ou moins *2	3,3/12	3,3/12	3,3/12	20	20	20	Sensibilité de courant 20 A *3
F0 = 30 A ou moins *2	5,3/10	5,3/10	5,3/10	30	30	30	Sensibilité de courant 30 A *3

Appliquez à IEC61000-3-3 environ l'impédance max. de système autorisée.

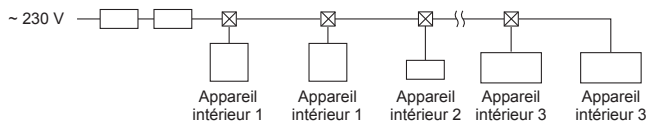
*1 Le disjoncteur de fuite à la terre doit prendre en charge le circuit onduleur.

Le disjoncteur de fuite à la terre doit se combiner à l'utilisation du commutateur local ou du disjoncteur.

*2 Prenez la plus grande des deux valeurs entre F1 ou F2 comme valeur pour F0.

F1 = Courant total maximum des appareils intérieurs × 1,2

F2 = {V1 × (Quantité de l'appareil intérieur 1)/C} + {V1 × (Quantité de l'appareil intérieur 2)/C} + {V1 × (Quantité de l'appareil intérieur 3)/C} + ...



• V1 et V2

V1 et V2 sont le coefficient de rupture.

V1 : coefficient de rupture du courant nominal

V2 : coefficient de rupture de sensibilité au courant

Les valeurs de V1 et V2 varient en fonction du modèle. Par conséquent, reportez-vous au mode d'emploi de chaque modèle.

• C : Multiple de courant de déclenchement au temps de déclenchement 0,01 s

Prenez "C" dans les caractéristiques de déclenchement du disjoncteur.

<Exemple de calcul "F2">

• Condition PLFY-NEMU × 4 + PEFY-NMAU × 1, C = 8 (reportez-vous au diagramme de droite)

V1 de PLFY-NEMU = 19,8, V1 de PEFY-NMAU = 38

F2 = 19,8 × 4/8 + 38 × 1/8

= 14,65

→ disjoncteur 16 A (courant de déclenchement = 8 × 16 A à 0,01 s)

*3 La sensibilité de courant est calculée selon la formule suivante.

G1 = V2 × (Quantité de l'appareil intérieur 1) + V2 × (Quantité de l'appareil intérieur 2) + V2 × (Quantité de l'appareil intérieur 3) + V2 × ... + V3 × (longueur de câble [km])

<Exemple de calcul de "G1">

*Condition : PKFY-NLMU × 2 + PLFY-NEMU × 2 + PEFY-NMAU × 1

V2 de PKFY-NLMU = 2,4, V2 de PLFY-NEMU = 2,4, V2 de PEFY-NMAU = 1,6, Épaisseur et longueur de câble : 1,5 mm² (AWG14) 0,2 km

G1 = 2,4 × 2 + 2,4 × 2 + 1,6 × 1 + 48 × 0,2

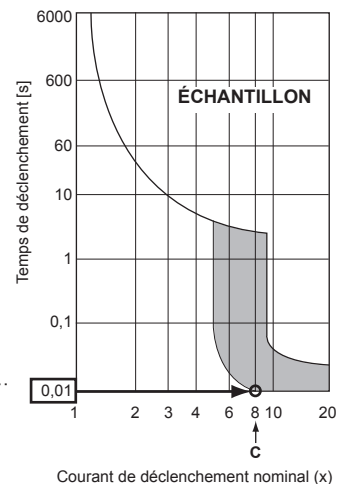
= 20,8

Par conséquent, la sensibilité au courant est de 30 mA 0,1 s ou moins.

G1	Sensibilité de courant
30 ou moins	30 mA 0,1 sec ou moins
100 ou moins	100 mA 0,1 sec ou moins

Épaisseur câble (mm ² /AWG)	V3
2,1/14	48
3,3/12	56
5,3/10	66

Diagramme d'échantillon



5.3. Types de câbles de commandes

1. Mise en place des câbles de transmission

Type de câble de transmission	Câble blindé Utiliser des fils électriques UL de 300 V
Diamètre des câbles	Supérieur à 1,25 mm ² (AWG16)
Longueur	Inférieure à 200 m, 219 yards

2. Câbles de la Commande à distance M-NET

Type de câble de transmission	Câble blindé Utiliser des fils électriques UL de 300 V
Diamètre des câbles	De 0,5 (AWG20) à 1,25 mm ² (AWG16)
Longueur	Ajouter toute partie supérieure à 10 m, 33 pieds à la longueur maximum permise de 200 m, 219 yards du câble de transmission.

3. Câbles de la Commande à distance MA

Type de câble de transmission	Câble gainé à 2 âmes (non blindé) Utiliser des fils électriques UL de 300 V
Diamètre des câbles	De 0,3 (AWG22) à 1,25 mm ² (AWG16)
Longueur	Inférieure à 200 m, 219 yards

5. Installations électriques

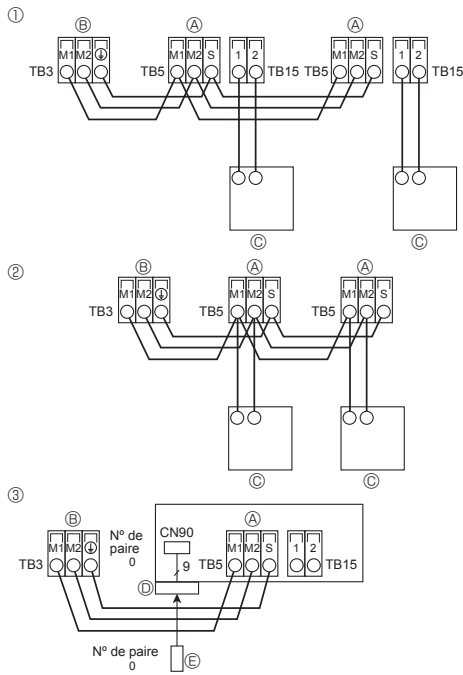


Fig. 5-8

5.4. Raccordement des câbles de la commande à distance et des câbles de transmission intérieurs et extérieurs (Fig. 5-8)

- Raccorder l'unité intérieure TB5 et l'unité intérieure TB3. (2 fils non polarisés)
Le "S" sur l'unité intérieure TB5 est une connexion pour câbles blindés. Pour les spécifications techniques des câbles de connexion, se reporter au manuel d'installation de l'appareil extérieur.
 - Installer une commande à distance conformément aux instructions du manuel fourni avec la commande à distance.
 - Raccorder le câble de transmission de la commande à distance à l'aide d'un câble de 0,75 mm² (AWG18) de diamètre d'une longueur de 33 pieds. (10 m) maximum. Si la longueur nécessaire est supérieure à 33 pieds. (10 m), utiliser un câble de raccordement de 1,25 mm² de diamètre.
- ① Commande à distance MA
- Connecter les points "1" et "2" de la borne TB15 de l'appareil intérieur à une commande à distance MA. (2 fils non polarisés)
 - DC de 9 à 13 V entre 1 et 2 (Commande à distance MA)
- ② Commande à distance M-NET
- Connecter les points "M1" et "M2" de la borne TB5 de l'appareil intérieur à une commande à distance M-NET. (2 fils non polarisés)
 - DC de 24 à 30 V entre M1 et M2 (Commande à distance M-NET)
- ③ Télécommande sans fil (lors de l'installation du récepteur de signal sans fil)
- Raccorder le câble du récepteur de signal sans fil (câble à 9 pôles) au connecteur CN90 de la carte de commande intérieure.
 - Lorsque plus de deux appareils fonctionnent sous la commande de groupe avec télécommande sans fil, raccorder chaque borne TB15 avec le même nombre.
 - Pour modifier la configuration de No de paire, voir le manuel d'installation joint à la télécommande sans fil. (Le No de paire pour la configuration par défaut de l'appareil intérieur et de la télécommande sans fil est 0.)
- Ⓐ Bloc terminal pour le câble de transmission intérieur
Ⓑ Bloc terminal pour le câble de transmission extérieur (M1(A), M2(B), ⊕(S))
Ⓒ Commande à distance
Ⓓ Câbles de transmission
Ⓔ Câbles de la Commande à distance

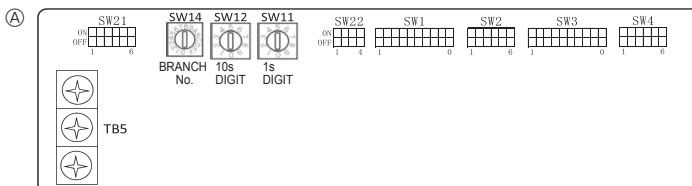


Fig. 5-9

5.5. Configuration des adresses (Fig. 5-9)

- (Toujours effectuer ces opérations lorsque le système est hors tension.)
- Il existe deux types de réglages de commutateurs rotatifs disponibles, pour le réglage des adresses de 1 à 9 et au-dessus de 10 et pour le réglage du nombre de ramifications.
- ① Comment définir les adresses
- Exemple : Si l'adresse est "3", laisser le SW12 (pour les unités supérieures à 10) sur "0" et faire correspondre le SW11 (pour 1 – 9) avec "3".
- ② Comment définir les numéros des ramifications SW14 (série R2 seulement)
- Le numéro de la branche assignée à chaque appareil intérieur correspond au numéro de l'ouverture du boîtier de commandes BC sur lequel l'appareil intérieur est raccordé.
- Le laisser sur "0" sur les appareils appartenant aux séries autres que R2.
- Les boutons rotatifs sont tous mis sur "0" à la sortie d'usine. Ils servent à définir les adresses des appareils et les numéros de branches comme souhaité.
 - Les adresses de l'appareil intérieur sont déterminées en fonction du système monté sur site. Réglez-les en vous référant aux données techniques.
- Ⓐ Tableau d'adresses

5.6. Réglage des interrupteurs pour différentes hauteurs de plafond (Fig. 5-9)

Cet appareil permet d'ajuster le débit d'air et la vitesse de ventilation en réglant l'interrupteur à curseur marqué SW21. Sélectionner un réglage adéquat dans le tableau ci-dessous, en fonction de l'emplacement de l'appareil.

Remarque :
Vérifier le bon positionnement de l'interrupteur à curseur marqué SW21 pour éviter tout problème de refroidissement/chauffage.

			PLFY-EP06-EP30NEMU-E(1)						PLFY-EP36-EP48NEMU-E					
			Silencieux		Standard		Haut plafond		Silencieux		Standard		Haut plafond	
			SW21-1	SW21-2	SW21-1	SW21-2	SW21-1	SW21-2	SW21-1	SW21-2	SW21-1	SW21-2	SW21-1	SW21-2
			OFF	ON	OFF	OFF	ON	OFF	OFF	ON	OFF	OFF	ON	OFF
4 direction	SW21-3	OFF	2,5 m, 8,2 pieds		2,7 m, 8,9 pieds		3,5 m, 11,5 pieds		2,7 m, 8,9 pieds		3,2 m, 10,5 pieds		4,5 m, 14,8 pieds	
	SW21-4	ON												
3 direction	SW21-3	OFF	2,7 m, 8,9 pieds		3,0 m, 9,8 pieds		3,5 m, 11,5 pieds		3,0 m, 9,8 pieds		3,6 m, 11,8 pieds		4,5 m, 14,8 pieds	
	SW21-4	OFF												
2 direction	SW21-3	ON	3,0 m, 9,8 pieds		3,3 m, 10,8 pieds		3,5 m, 11,5 pieds		3,3 m, 10,8 pieds		4,0 m, 13,1 pieds		4,5 m, 14,8 pieds	
	SW21-4	OFF												

5.7. Détection de la température ambiante à l'aide du capteur intégré de la commande à distance (Fig. 5-9)

Si vous voulez détecter la température ambiante à l'aide du capteur intégré de la commande à distance, mettre l'interrupteur SW1-1 du tableau de commandes sur "ON". Le réglage indispensable de SW1-7 et SW1-8 permet d'ajuster le flux d'air lorsque le thermomètre est ETEINT.

5. Installations électriques

5.8. Caractéristiques électriques

Acronymes : MCA : Ampères min. circuit (= 1,25×FLA) FLA : Ampères pleine charge
IFM : Moteur ventilateur intérieur Sortie : Sortie nominale moteur ventilateur

PLFY-EP-NEMU-E / PLY-EP-NEMU-E1

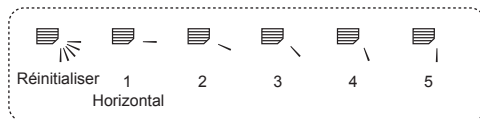
Modèle	Alimentation			IFM		
	Hz	Volts	Gamme de tensions	MCA (A)	Sortie (kW)	FLA (A)
PLFY-EP06NEMU-E	60 Hz	208 / 230 V	198 – 253 V	0,24	0,050 / 0,050	0,19
PLFY-EP08, EP12, EP15NEMU-E				0,39		0,31
PLFY-EP18NEMU-E1, EP24NEMU-E				0,54	0,120 / 0,120	0,43
PLFY-EP30NEMU-E				0,57		0,45
PLFY-EP36NEMU-E				0,92		0,73
PLFY-EP48NEMU-E				1,27		1,01

5.9. Réglage de la direction vers le haut/vers le bas (seulement pour la télécommande sans fil)

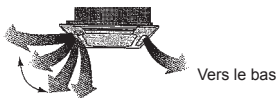
- Seule la sortie particulière peut être fixée dans une certaine direction via les procédures détaillées ci-après. Une fois cette opération effectuée, seule la sortie réglée est fixe à chaque activation du climatiseur. (Les autres sorties suivent le réglage de direction de l'air UP/DOWN [haut/bas] de la télécommande filaire.)

■ Explication des termes

- "N° d'adresse de réfrigérant" et "N° d'appareil intérieur" sont les numéros attribués à chaque climatiseur.
- "N° de sortie" est le numéro attribué à chaque sortie du climatiseur. (Voir l'illustration à droite.)
- "Direction haute/basse du flux d'air" est la direction (l'angle) à définir.



Flux d'air horizontal



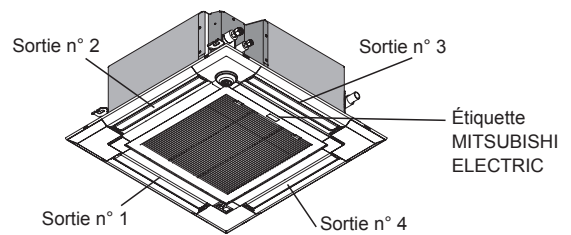
Réglage de la télécommande

La direction du flux d'air de cette sortie est contrôlée par le réglage de direction du flux d'air de la télécommande.

Réglage fixe

La direction du flux d'air de cette sortie est fixée dans une direction particulière.

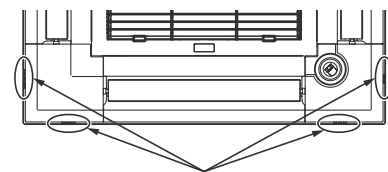
* Lorsque le flux d'air direct provoque une sensation de froid, la direction de la sortie peut être fixée horizontalement pour éviter un flux d'air direct.



Remarque : "0" indique toutes les sorties.

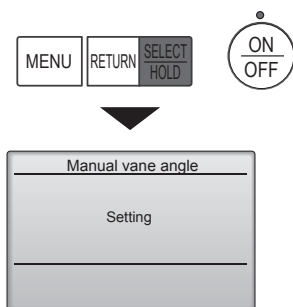
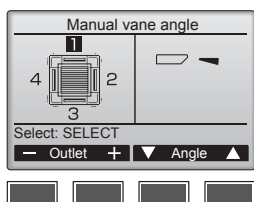
Remarque :

Le No. de sortie est indiqué par le nombre de rainures aux deux extrémités de chaque sortie d'air. Réglez la direction de l'air tout en vérifiant les informations indiquées sur l'affichage de la télécommande.



Marques d'identification de la sortie d'air

5. Installations électriques



Si toutes les sorties sont sélectionnées, sera affiché à la prochaine mise en route de l'appareil.

Navigation dans les écrans
• Pour revenir à l'écran précédent Touche [RETURN]

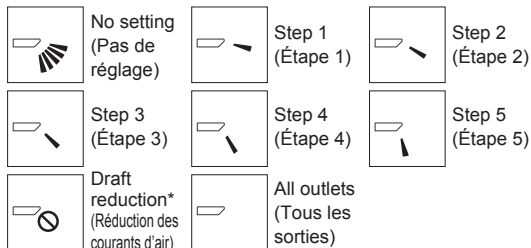
Le réglage d'aillette actuel s'affiche.

Sélectionnez les sorties désirées de 1 à 4 à l'aide du bouton [F1] ou [F2].

• Sortie : "1", "2", "3", "4" et "1, 2, 3, 4, (toutes les sorties)"

Appuyez sur la touche [F3] ou [F4] pour parcourir les options dans l'ordre suivant : "No setting (reset)" (Pas de réglage (réinitialisation)), "Step 1" (Étape 1), "Step 2" (Étape 2), "Step 3" (Étape 3), "Step 4" (Étape 4) et "Step 5" (Étape 5). Choisissez le réglage désiré.

■ Réglage d'aillette



* Draft reduction (Réduction des courants d'air)

Le sens du flux d'air pour ce réglage est plus horizontal que le sens du flux d'air de l'option "Step 1" (Étape 1) afin de réduire la sensation de courant d'air. La réduction de courant d'air ne peut être réglée que pour 1 ailette.

Appuyez sur la touche [SELECT/HOLD] pour enregistrer les paramètres.

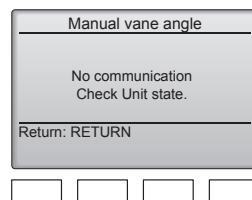
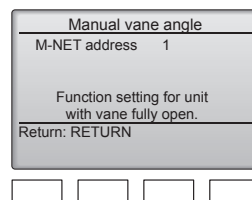
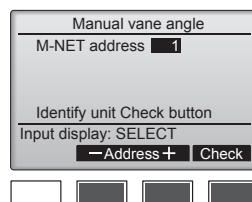
Un écran s'affiche pour vous informer que les réglages sont en cours d'envoi.

Les changements seront effectués sur la sortie sélectionnée.

L'écran revient automatiquement à celui indiqué ci-dessus (étape 4) à la fin de la transmission.

Effectuez les réglages pour les autres sorties, selon la même procédure.

■ Procédure de vérification



① Sélectionnez, à l'aide de la touche [F2] ou [F3], la "M-NET address" (adresse M-NET) pour les unités dont les ailettes doivent être fixes. Appuyez sur la touche [F4] pour confirmer le numéro.

② Après avoir appuyé sur la touche [F4], attendez plus ou moins 15 secondes puis vérifiez l'état actuel du climatiseur.
→ Le volet est orienté vers le bas.
→ Ce climatiseur est affiché sur la télécommande.

→ Toutes les sorties sont fermées.

→ Appuyez sur la touche [RETURN] et poursuivez l'opération depuis le début.

→ Les messages indiqués à gauche sont affichés.

→ L'appareil cible n'existe pas à cette adresse du réfrigérant.

• Appuyez sur la touche [RETURN] pour revenir à l'écran initial.

③ Changez la "M-NET address" (adresse M-NET) par le numéro suivant.

• Reportez-vous à l'étape ① pour changer la "M-NET address" (adresse M-NET) et poursuivez la confirmation.

6. Installer la grille

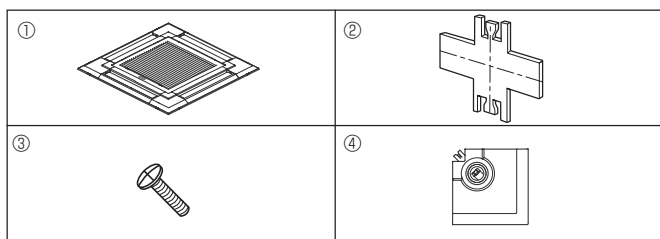


Fig. 6-1

(pouces)

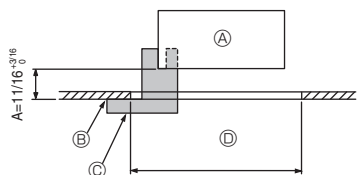


Fig. 6-2

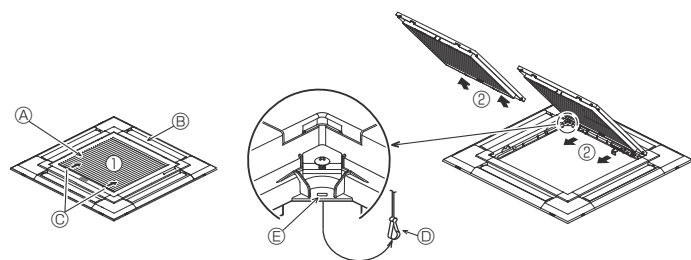


Fig. 6-3

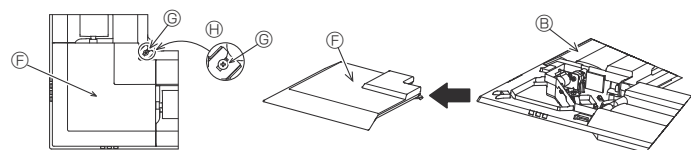


Fig. 6-4

6.1. Vérification du contenu (Fig. 6-1)

• Ce kit contient ce manuel et les pièces suivantes.

	Nom de l'accessoire	Qté	Observations
①	Grille	1	950 × 950 (mm), 37-13/32 × 37-13/32 (pouces)
②	Jauge	1	Divisée en quatre parties
③	Vis (4 × 16)	1	Pour PLFY-EP-NEMU-E(1)
④	Panneau en coin 3D i-see Sensor	1	Pour PLFY-EP-NEMU-E(1)

6.2. Préparation avant d'attacher la grille (Fig. 6-2)

• A l'aide de la jauge ② fournie avec ce kit, régler et vérifier la position de l'appareil par rapport au plafond. Si l'appareil n'est pas correctement positionné, il y aura des risques de fuites d'air et de la condensation pourrait s'accumuler.

• Vous assurer que l'ouverture dans le plafond se trouve dans les tolérances suivantes : 860 × 860 - 910 × 910 mm, 33-7/8 × 33-7/8 à 35-13/16 × 35-13/16 pouces.

• S'assurer que le point A s'effectue dans une fourchette allant de 17 à 22 mm, 11/16 à 7/8 pouce. Le non respect de cette marge pourrait être à l'origine de certains dégâts.

- ① Appareil principal
- ② Plafond
- ③ Jauge ② (insérée dans l'appareil)
- ④ Dimensions de l'ouverture dans le plafond

6.2.1. Retrait de la grille d'admission (Fig. 6-3)

• Pour ouvrir la grille d'admission, faire glisser les leviers dans le sens indiqué par la flèche ①.

• Défaire le crochet qui sert à fixer la grille.

Remarque :

Ne pas décrocher le crochet de la grille d'admission.

• Lorsque la grille se trouve en position "ouverte", retirer la charnière de la grille d'admission comme indiqué par la flèche ②.

6.2.2. Retrait du panneau en coin (Fig. 6-4)

• Retirer la vis du coin du panneau en coin. Faire glisser le panneau comme indiqué par la flèche ① pour le déposer.

[Fig. 6-3] [Fig. 6-4]

- ① Grille d'admission
- ② Grille
- ③ Leviers de la grille d'admission
- ④ Crochet de la grille
- ⑤ Orifice pour le crochet de la grille
- ⑥ Panneau en coin
- ⑦ Vis
- ⑧ Détail

6.3. Sélection des sorties d'air

Pour cette grille, le sens d'expulsion de l'air peut être réglé de 11 manières différentes. De plus, en réglant la télécommande sur les programmes appropriés, il est possible d'ajuster le flux d'air et la vitesse. Sélectionner les réglages nécessaires dans le tableau 1 en fonction de l'endroit où vous souhaitez installer l'appareil.

1) Décider du sens d'expulsion.

2) Veiller à ce que la télécommande soit correctement programmée, selon le nombre de sorties d'air et la hauteur du plafond auquel l'appareil sera installé.

Remarque :

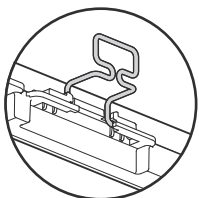
Pour une sortie d'air dans 2 ou 3 directions, utiliser le volet de sortie d'air (en option).

	4 directions	3 directions
Systèmes de direction de la soufflerie	1 système : réglage d'usine 	4 systèmes : 1 sortie d'aériement fermée
Systèmes de direction de la soufflerie	2 directions 6 systèmes : 2 sortie d'aériement fermée 	

Tableau 1

6. Installer la grille

<Crochet en position relevée>



<Crochet en position abaissée>

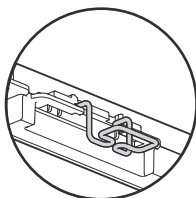
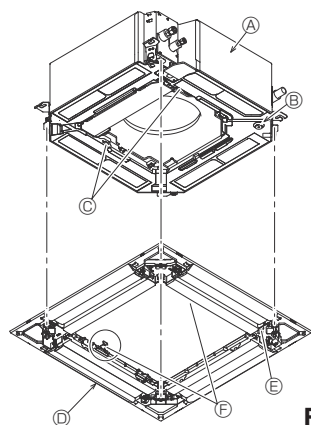


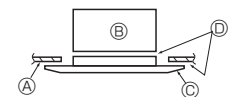
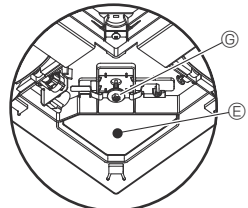
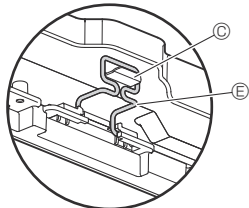
Fig. 6-5



- Ⓐ Appareil principal
- Ⓑ Zone du tuyau de vidange d'angle
- Ⓒ Crochet de l'appareil principal
- Ⓓ Grille
- Ⓔ Orifice d'écoulement
- Ⓕ Crochets de suspension temporaires sur le panneau

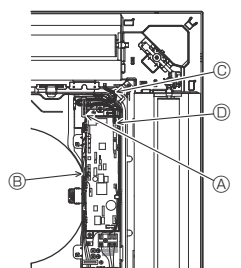
Fig. 6-6

<Crochet de grille>



- Ⓐ Plafond
- Ⓑ Appareil principal
- Ⓒ Grille
- Ⓓ Vérifiez qu'il n'y a pas d'espace.
- Ⓔ Réglez l'écrou de l'appareil principal à l'aide d'une clé, etc.

Fig. 6-7



- Ⓐ Bride de l'appareil principal
- Ⓑ Boîtier électrique
- Ⓒ Fil de la grille
- Ⓓ Connecteur CNV

Fig. 6-8

6.4. Installation de la grille

6.4.1. Préparation (Fig. 6-5)

Vérifier que les deux crochets de suspension temporaire de la grille sont en position relevée.

6.4.2. Mise en place provisoire de la grille (Fig. 6-6)

- Alignez les trous de vis dans les coins de la grille avec les orifices de montage dans les coins de l'appareil principal, attachez les deux crochets de la grille sur les saillies du bac de récupération de l'appareil principal, et suspendez temporairement la grille.

6.4.3. Fixation de la grille

- Fixez la grille en serrant les quatre vis. (Fig. 6-6)

Remarque :

Assurez-vous qu'il n'y a pas d'espace entre l'appareil principal et le panneau, et entre le panneau et le plafond. (Fig. 6-7)

Suppression de tout espace entre la grille et le plafond

Lorsque la grille est en place, régler la hauteur de l'appareil principal pour supprimer tout espace.

⚠ Précaution :

- Lorsque vous serrez la vis avec la rondelle captive Ⓒ, serrez-la à un couple de 2,8–3,6 N·m, 2,1–2,6 ft·lbs. N'utilisez jamais de tournevis à frapper. Cela pourrait endommager les pièces.
- Après avoir serré la vis, vérifiez que les deux crochets de la grille (Fig. 6-6) sont en prise avec les crochets de l'appareil principal.

6.4.4. Raccordement des câbles (Fig. 6-8)

- Desserrez les 2 vis de fixation du couvercle de boîtier électrique de l'appareil principal, puis ouvrez le couvercle.
- Veillez à raccorder le connecteur (blanc, à 20 pôles) du moteur du volet de la grille au contrôleur CNV du panneau du contrôleur de l'appareil principal.
- Fixez le fil restant à l'aide d'une bride dans le boîtier électrique de l'appareil principal.
- Refermez le couvercle du boîtier électrique de l'appareil principal à l'aide de 2 vis.

6. Installer la grille

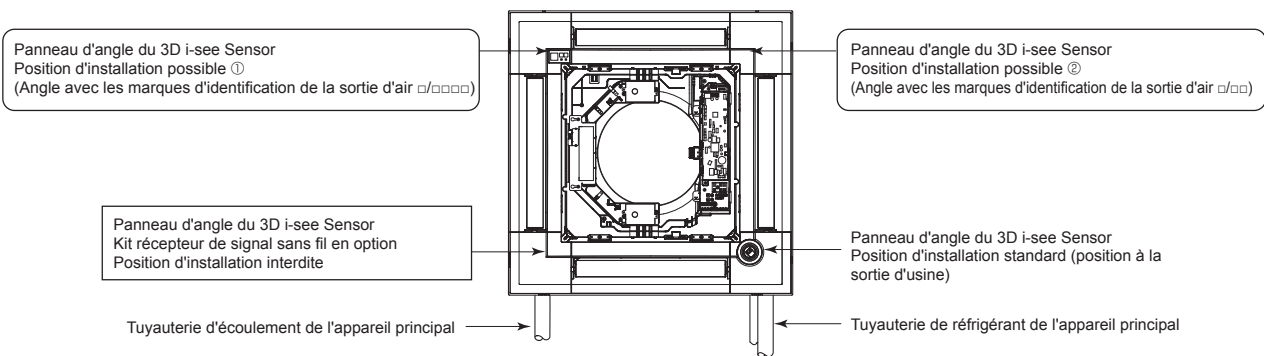


Fig. 6-9

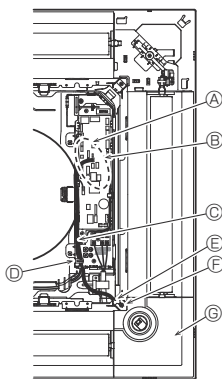


Fig. 6-10

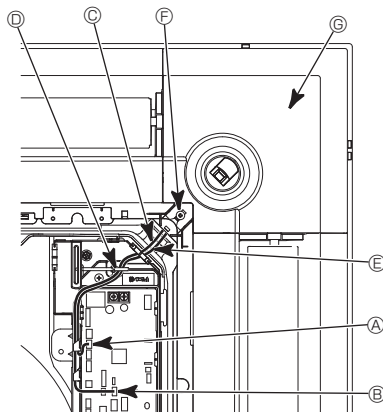


Fig. 6-11

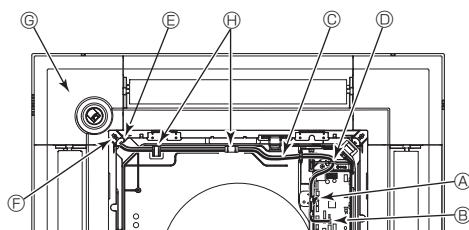


Fig. 6-12

6.5. Installation du panneau d'angle du 3D i-see Sensor (Fig. 6-9)

6.5.1. Position standard (Fig. 6-10) et position ② (Fig. 6-11)

- Prenez les fils CN4Z (blanc, à 4 pôles) et CN5Y (blanc, à 5 pôles) du panneau d'angle du 3D i-see Sensor ④ provenant du côté du boîtier électrique de l'appareil et raccordez-les au connecteur du panneau du contrôleur.
- Fixez l'excédent de fil dans le boîtier électrique à l'aide de la bride, en veillant à ce qu'il n'y ait pas de mou dans les fils.
- Remplacez le couvercle sur le boîtier électrique à l'aide de 2 vis.

Remarque :

Veillez à ne pas coincer les fils dans le couvercle du boîtier électrique.

- Procédez dans l'ordre inverse de la procédure "6.2. Préparatifs préalables à la fixation de la grille" pour installer le panneau d'angle du 3D i-see Sensor.
- Le panneau d'angle du 3D i-see Sensor doit être fixé sur la grille ① à l'aide de la vis ③.

6.5.2. Position ① (Fig. 6-12)

- Prenez les fils CN4Z (blanc, à 4 pôles) et CN5Y (blanc, à 5 pôles) du panneau d'angle du 3D i-see Sensor ④ provenant du côté du boîtier électrique de l'appareil et raccordez-les au connecteur du panneau du contrôleur.
- Acheminez les fils dans les crochets de l'évasement doucine et fixez l'excédent de fil dans le boîtier électrique à l'aide de la bride, en veillant à ce qu'il n'y ait pas de mou dans les fils.
- Remplacez le couvercle sur le boîtier électrique à l'aide de 3 vis.

Remarque :

Veillez à ne pas coincer les fils dans le couvercle du boîtier électrique.

- * Procédez dans l'ordre inverse de la procédure "6.2. Préparatifs préalables à la fixation de la grille" pour installer le panneau d'angle du 3D i-see Sensor.
- Le panneau d'angle du 3D i-see Sensor doit être fixé sur la grille ① à l'aide de la vis ③.

[Fig. 6-10] [Fig. 6-11] [Fig. 6-12]

- ① Panneau du contrôleur CN4Z
- ② Panneau du contrôleur CN5Y
- ③ Fil du panneau d'angle du 3D i-See Sensor
- ④ Bride de boîtier électrique
- ⑤ Trou de la grille (Passer le fil.)
- ⑥ Vis ③
- ⑦ Panneau d'angle du 3D i-see Sensor
- ⑧ Loquet de l'évasement doucine

6. Installer la grille

Réglage du 3D i-see Sensor et de la hauteur du plafond lorsque la position du panneau d'angle du 3D i-see Sensor est modifiée

Réglez les commutateurs (SW3-3, 3-4, 3-9 et 3-10) du panneau de commande de chaque appareil intérieur conformément au tableau ci-dessous.

Mode	Réglage	SW3-3	SW3-4	Réglage Initial	Contrôle*	Remarques
Positionnement du 3D i-see Sensor	Position ①	OFF	OFF			Angle avec les marques d'identification de la sortie d'air □/□□□□
	Position ②	ON	OFF			Angle avec les marques d'identification de la sortie d'air □/□□
	Standard	OFF	ON	○		Angle avec les marques d'identification de la sortie d'air □□/□□□

Mode	Réglage	SW3-9	SW3-10	Réglage Initial	Contrôle*	Remarques
Réglage de la hauteur du plafond du 3D i-see Sensor	Plafond bas	OFF	OFF			Hauteur du plafond : moins de 2,7 m, 8,9 pieds
	Standard	ON	OFF	○		Hauteur du plafond : 2,7 – 3,5 m, 8,9 – 11,5 pieds
	Plafond haut	OFF	ON			Hauteur du plafond : 3,5 m, 11,5 pieds minimum

* Chaque fois que vous utilisez la sélection de fonction pour modifier les fonctions de l'appareil intérieur, veillez à enregistrer tous les réglages marqués "○" ou autrement dans la colonne "Contrôle" des tableaux ci-dessus.

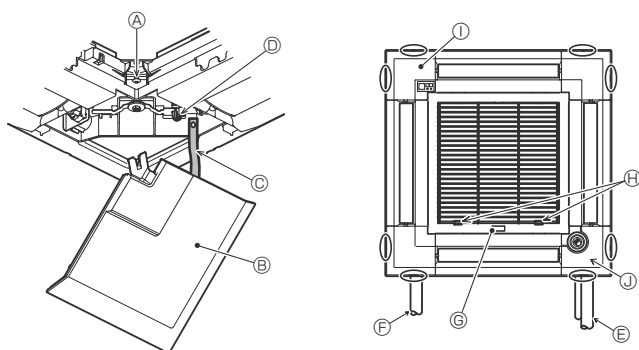


Fig. 6-13

6.6. Installation de la grille d'aspiration (Fig. 6-13)

Remarque :

Lors de la réinstallation des panneaux d'angle (tous munis d'un fil de sécurité), raccordez l'autre extrémité de chaque fil de sécurité à la grille comme illustré.

Remarque :

Si les panneaux d'angle ne sont pas attachés, ils risquent de tomber lorsque l'appareil fonctionne.

- Suivez la procédure décrite à la section "6.2. Préparatifs préalables à la fixation de la grille" dans l'ordre inverse pour installer la grille d'aspiration et le panneau d'angle.
- Il est possible d'installer la grille de différents appareils de telle manière que le logo sur chaque panneau d'angle se présente de manière identique sur tous les appareils, indépendamment de l'orientation de la grille d'aspiration. Alignez le logo du panneau selon les souhaits du client, comme indiqué sur le diagramme de gauche. (La position de la grille peut être modifiée.)

① Vis

② Panneau d'angle

③ Fil de sécurité

④ Crochet

⑤ Tuyau de réfrigérant de l'appareil principal

⑥ Tuyau d'écoulement de l'appareil principal

⑦ Étiquette MITSUBISHI ELECTRIC

• L'installation est possible dans toutes les positions.

⑧ Position initiale des leviers sur la grille d'admission

• Bien que les agrafes puissent être installées dans n'importe laquelle des 4 positions, la configuration présentée ici est recommandée. (Il n'est pas nécessaire de retirer la grille d'admission pour l'entretien du boîtier électrique de l'appareil principal.)

① Récepteur

③ 3D i-see Sensor

7. Marche d'essai

7.1. Avant la marche d'essai

- ▶ Lorsque l'installation, le tuyautage et le câblage des appareils intérieur et extérieur sont terminés, vérifier l'absence de fuites de réfrigérant, la fixation des câbles d'alimentation et de commande, l'absence d'erreur de polarité et contrôler qu'aucune phase de l'alimentation n'est déconnectée.
- ▶ Utiliser un mégohm-mètre de 500 V pour s'assurer que la résistance entre les terminaux d'alimentation électrique et la terre soit au moins de 1,0 MΩ.

- ▶ Ne pas effectuer ce test sur les terminaux des câbles de contrôle (circuit à basse tension).

⚠ **Avertissement :**

Ne pas utiliser le climatiseur si la résistance de l'isolation est inférieure à 1,0 MΩ.

Interface de la télécommande

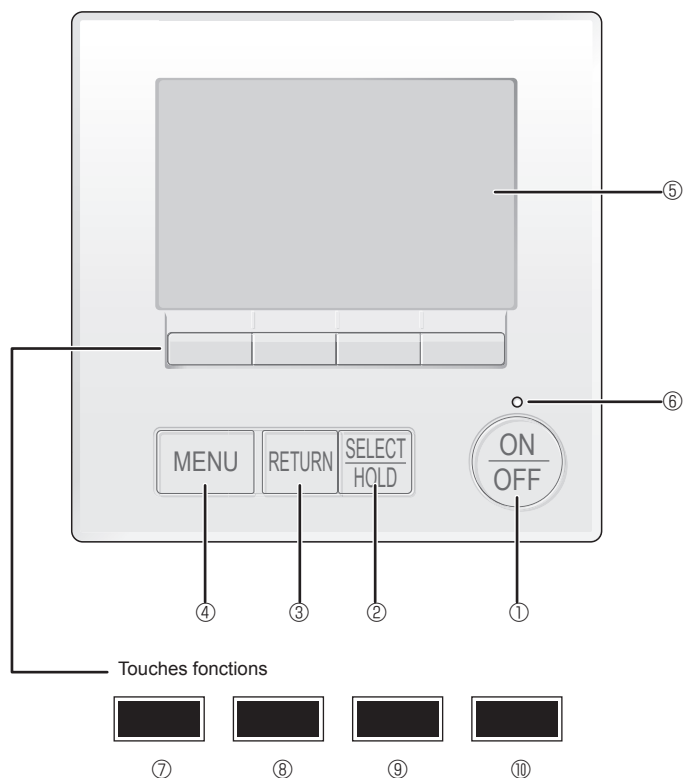


Fig. 7-1

7.2. Marche d'essai

Utiliser une des 2 méthodes suivantes.

7.2.1. À l'aide de la télécommande filaire MA (Fig. 7-1)

① Touche [ON/OFF]

Pressez pour allumer ou éteindre l'appareil intérieur.

② Touche [SELECT/HOLD]

Pressez pour enregistrer les paramètres.

Lorsque le menu principal est affiché, une pression sur cette touche active/désactive la fonction HOLD (EN ATTENTE).

③ Touche [RETURN]

Pressez pour revenir à l'écran précédent.

④ Touche [MENU]

Pressez pour ouvrir le Menu général.

⑤ Écran LCD rétroéclairé

Les paramètres de fonctionnement s'affichent.

Lorsque le rétroéclairage est éteint, appuyer sur une touche l'allume, et il reste allumé pendant un certain temps en fonction de l'affichage.

Lorsque le rétroéclairage est éteint, appuyer sur une touche ne fait que l'allumer, sans exécuter la fonction. (à l'exception du bouton [ON/OFF])

⑥ Voyant Marche / Arrêt

Cette lampe s'allume en vert lorsque le système est en fonctionnement. Elle clignote lorsque la télécommande est en cours de démarrage ou en cas d'erreur.

⑦ Touche fonction [F1]

Écran principal : Pressez pour régler le mode de fonctionnement.

Écran des menus : La fonction des touches varie selon l'écran.

⑧ Touche fonction [F2]

Écran principal : Pressez pour diminuer la température.

Menu général : Appuyez pour déplacer le curseur vers la gauche.

Écran des menus : La fonction des touches varie selon l'écran.

⑨ Touche fonction [F3]

Écran principal : Pressez pour augmenter la température.

Menu général : Appuyez pour déplacer le curseur vers la droite.

Écran des menus : La fonction des touches varie selon l'écran.

⑩ Touche fonction [F4]

Écran principal : Pressez pour changer la vitesse du ventilateur.

Écran des menus : La fonction des touches varie selon l'écran.

7. Marche d'essai

Étape 1 Placez la télécommande sur "Test run" (Test fonctions).

- ① Sélectionnez "Service" dans le menu général puis appuyez sur le bouton [SELECT/HOLD]. (Fig. 7-2)
- ② Lorsque le menu SAV est sélectionné, une fenêtre vous invitait à saisir le mot de passe apparaît. (Fig. 7-2)
Pour entrer le mot de passe maintenance actuel (4 chiffres numériques), déplacez le curseur sur le chiffre à modifier à l'aide du bouton [F1] ou [F2], puis définissez chaque nombre (0 à 9) à l'aide du bouton [F3] ou [F4]. Appuyez ensuite sur le bouton [SELECT/HOLD].

Remarque : Le mot de passe maintenance initial est "9999". Modifiez le mot de passe par défaut dès que nécessaire pour éviter tout accès non autorisé. Gardez le mot de passe à portée de main pour les utilisateurs qui en auraient besoin.

Remarque : Si vous oubliez votre mot de passe maintenance, vous pouvez initialiser le mot de passe sur le mot de passe par défaut ("9999") en appuyant simultanément sur les boutons [F1] et [F2] pendant trois secondes sur l'écran de réglage du mot de passe maintenance.

- ③ Sélectionnez "Test run" (Test fonctions) à l'aide du bouton [F1] ou [F2] puis appuyez sur le bouton [SELECT/HOLD]. (Fig. 7-3)
- ④ Sélectionnez "Test run" (Test fonctions) à l'aide du bouton [F1] ou [F2] puis appuyez sur le bouton [SELECT/HOLD]. (Fig. 7-4)

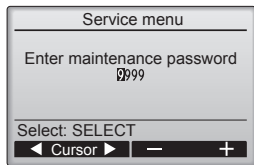


Fig. 7-2

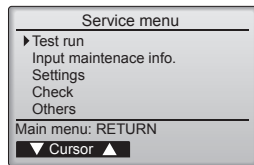


Fig. 7-3

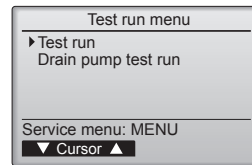


Fig. 7-4

Étape 2 Effectuez le test fonctions et vérifiez la température du courant d'air et le volet automatique.

- ① Appuyez sur le bouton [F1] pour changer de mode de fonctionnement dans l'ordre "Cool" (Froid) et "Heat" (Chaud). (Fig. 7-5)
Mode de refroidissement : vérifiez si la soufflerie souffle de l'air froid.
Mode de chauffage : vérifiez si la soufflerie souffle de l'air chaud.

Remarque :

Vérifiez le fonctionnement du ventilateur de l'appareil extérieur.

- ② Appuyez sur la touche [SELECT/HOLD] pour ouvrir l'écran de réglage des volets.

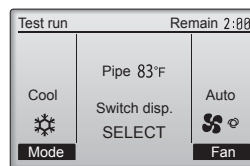


Fig. 7-5

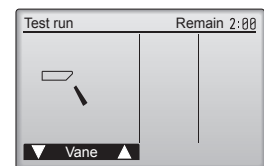


Fig. 7-6

Contrôle du volet AUTO

- ① Vérifiez le volet automatique à l'aide des boutons [F1] [F2]. (Fig. 7-6)
- ② Appuyez sur le bouton [RETURN] pour revenir à l'écran "Test run" (Test fonctions).
- ③ Appuyez sur le bouton [ON/OFF].

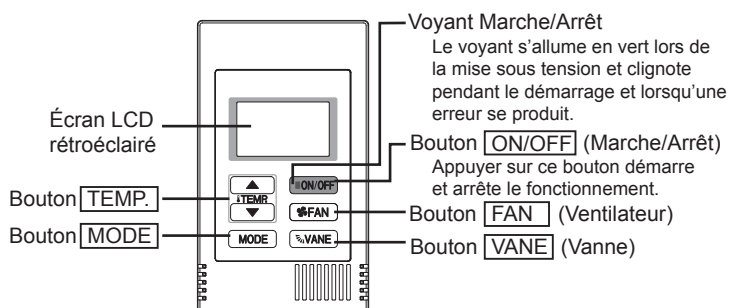


Fig. 7-7

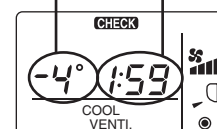
7.2.2. Marche d'essai

Utilisation du contrôleur à distance simple MA (Fig. 7-7)

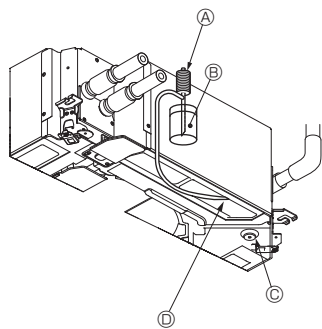
- ① Avant d'effectuer un essai de fonctionnement, reportez-vous à la section "Essai de fonctionnement" du manuel d'installation de l'appareil intérieur.
- ② Lorsque vous appuyez simultanément sur les boutons [ON/OFF] et [TEMP. ▲] pendant deux secondes ou plus, l'appareil effectue un essai de fonctionnement.
- ③ Arrêtez l'essai de fonctionnement en appuyant sur le bouton [ON/OFF].
- ④ Si une erreur de code s'affiche sur la télécommande ou si le climatiseur ne fonctionne pas correctement, voir le manuel d'installation de l'appareil extérieur ou les autres documentations techniques.

Température de la tuyauterie de l'unité intérieure
Plage d'affichage : -4°F (-20°C) à 158°F (70°C)
"-4°F" ou "158°F" clignote à l'écran.

Durée de l'essai de fonctionnement
Le temps restant d'exécution de l'essai de fonctionnement s'affiche.
Plage d'affichage : 2:00 à 0:01
Après deux heures, l'essai de fonctionnement s'arrête automatiquement.



7. Marche d'essai



- Ⓐ Pompe d'arrivée d'eau
- Ⓑ Eau (environ 1000 cc, 1/4 gal)
- Ⓒ Bouchon de vidange
- Ⓓ Verser l'eau à travers le conduit
 - Veiller à ne pas éclabousser d'eau dans le mécanisme de la pompe d'écoulement.

Fig. 7-8

7.3. Vérification de l'écoulement (Fig. 7-8)

- S'assurer de l'écoulement correct de l'eau et de la bonne étanchéité des joints.

Une fois l'installation électrique terminée.

- Verser de l'eau pendant le fonctionnement de la climatisation et vérifier.

Si l'installation électrique n'est pas terminée.

- Verser de l'eau pendant le fonctionnement en urgence et vérifier.
- Le plateau d'écoulement et le ventilateur sont activés simultanément lorsque les bornes L1 et L2 sont activées avec un courant monophasé de 208/230 V après le réglage sur ON du connecteur (SWE) sur la carte de commande du boîtier électrique de dérivation.

Veiller à rétablir l'état précédent à la fin des travaux.

Contenido

1. Medidas de seguridad.....	1	5. Trabajo eléctrico.....	5
2. Instalación de la unidad interior.....	1	6. Instalación de la rejilla.....	10
3. Instalación de los tubos del refrigerante.....	3	7. Prueba de funcionamiento.....	14
4. Tubería de drenaje.....	4		

Nota:
 En este manual de instalación, la frase "Controlador remoto MA simple" se refiere a PAC-YT53CRAU.
 En este manual de instrucciones, la frase "Mando a distancia con cable" se refiere solo a PAR-40MAA.
 Si necesita más información sobre el otro controlador remoto, consulte el manual de instalación o el manual de ajustes iniciales incluidos en estas cajas.

1. Medidas de seguridad

- ▶ Antes de instalar la unidad, asegúrese de haber leído el capítulo de "Medidas de seguridad".
- ▶ Informe al encargado del suministro u obtenga su consentimiento antes de conectar este equipo al sistema de suministro de alimentación.

⚠ Atención:
 Describe las precauciones que deben tenerse en cuenta para evitar el riesgo de lesiones o muerte del usuario.

⚠ Cuidado:
 Describe las precauciones que deben tenerse en cuenta para evitar daños en la unidad.

Después de terminar la instalación, explique las "Medidas de seguridad", funcionamiento y mantenimiento de la unidad al cliente según el Manual de instrucciones y realice una prueba para asegurarse de que funciona correctamente. Entregue una copia del Manual de instalación y del Manual de instrucciones al usuario. Estos manuales deben pasar a usuarios posteriores del equipo.

- ⚠ Atención:**
- La instalación del aire acondicionado debe correr a cargo del distribuidor o de un técnico autorizado.
 - Instale la unidad en un lugar capaz de soportar su peso.
 - No modifique la unidad. Podría producirse fuego, una descarga eléctrica, lesiones o escape de agua.
 - Utilice solo cables especificados para el cableado. Las conexiones del cableado se deben realizar con seguridad sin que se ejerza tensión en las conexiones de los terminales. Asimismo, no empalme nunca los cables al realizar el cableado (a menos que se indique lo contrario en este documento). El hecho de no seguir estas instrucciones puede provocar un sobrecalentamiento o un incendio.
 - Utilice sólo accesorios autorizados por Mitsubishi Electric y pida a su distribuidor o a una empresa autorizada que se los instale.
 - No toque las aletas del intercambiador de calor.
 - Instale el aire acondicionado según se indica en este manual de instalación.
 - Todas las conexiones eléctricas deberán ser realizadas por un electricista autorizado de acuerdo con la normativa local.
 - No utilice la conexión intermedia de los cables eléctricos.
 - Si el aire acondicionado se instala en una habitación pequeña deberán tomarse medidas para prevenir que la concentración de refrigerante exceda los límites de seguridad incluso si hubiese fugas.

- ⚠ Cuidado:**
- Cuando utilice refrigerante R410A, no use los tubos de refrigerante existentes.
 - Cuando utilice refrigerante R410A, utilice aceite de éster, de éter o alquilobenceno (en pequeñas cantidades) como aceite refrigerante para recubrir las conexiones abocardadas y rebordes.
 - No utilice el aire acondicionado en lugares en los que se guarde comida, animales domésticos, plantas, instrumentos de precisión u obras de arte.
 - No utilice el equipo de aire acondicionado en entornos especiales.
 - Conecte la unidad a tierra.
 - Si es necesario, instale un disyuntor en caja moldeada para fugas.

- ⊘ : Indica una acción que debe evitarse.
 - ⚠ : Indica que deben seguirse unas instrucciones importantes.
 - ⚡ : Indica una pieza que debe estar conectada a tierra.
 - ⚠ : Indica que debe tenerse cuidado con las piezas giratorias.
 - ⚡ : Indica que debe apagarse el interruptor de alimentación principal antes de intervenir en la unidad.
 - ⚠ : Peligro de descarga eléctrica.
 - ⚠ : Peligro por superficie caliente.
 - ⚡ ELV : A la hora de realizar una reparación, desconecte el interruptor principal tanto de la unidad interior como de la exterior.
- ⚠ Atención:**
 Lea atentamente las etiquetas adheridas a la unidad principal.

- Las partes perforadas de caras recortadas pueden causar daños por cortes, etc. Los instaladores deberán llevar equipo de protección adecuado como por ejemplo guantes, etc.
- Cuando instale, mueva o revise el equipo de aire acondicionado, utilice solo el refrigerante indicado (R410A) para cargar los tubos del refrigerante. No lo mezcle con otro tipo de refrigerante y vacíe completamente de aire los tubos. Si el aire se mezcla con el refrigerante, podría producir una tensión anormalmente alta en el tubo del refrigerante y ocasionar una explosión u otros peligros. Usar un refrigerante distinto al indicado para el sistema provocará un fallo mecánico, un funcionamiento defectuoso del sistema o la avería de la unidad. En el peor de los casos, podría suponer un grave impedimento para garantizar la seguridad del producto.
- El aparato eléctrico debe instalarse siguiendo las regulaciones vigentes del país en materia de cableado.
- Si el cable de alimentación sufre daños, debe ser sustituido por el fabricante, su servicio técnico o personal con una cualificación equivalente para evitar cualquier peligro.

- Utilice cables de alimentación de capacidad y gama de corriente adecuadas.
- Utilice únicamente un disyuntor en caja moldeada y un fusible de la capacidad especificada.
- No toque los enchufes con los dedos mojados.
- No toque las tuberías de refrigerante durante el funcionamiento e inmediatamente después de éste.
- No accione el equipo de aire acondicionado cuando se hayan extraído los paneles y las protecciones.
- No desconecte la corriente inmediatamente después de parar el funcionamiento del equipo.

2. Instalación de la unidad interior

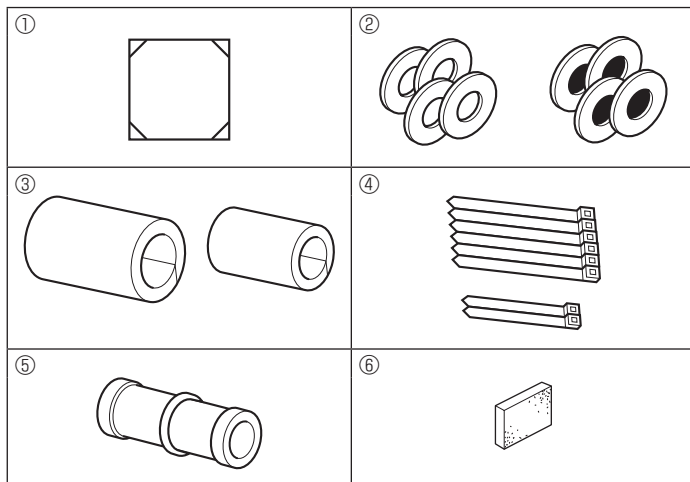


Fig. 2-1

2.1. Comprobación de los accesorios de la unidad interior (Fig. 2-1)

La unidad interior debe ir acompañada de los siguientes accesorios.

	Nombre accesorio	Cant.
①	Plantilla de instalación	1
②	Arandelas (con aislamiento)	4
	Arandelas (sin aislamiento)	4
③	Cubierta de tubería (para junta de tubería de refrigerante) diámetro pequeño	1
	diámetro grande	1
④	Abrazadera (grande)	6
	Abrazadera (pequeña)	2
⑤	Tubo de desagüe	1
⑥	Aislante	1

2. Instalación de la unidad interior

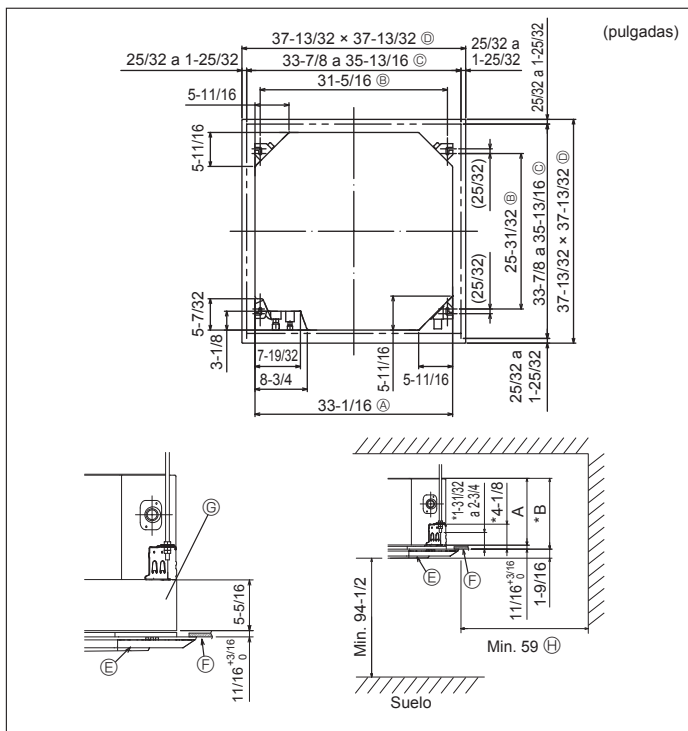


Fig. 2-2

2.2. Apertura del techo y ubicación de los tornillos de suspensión (Fig. 2-2)

⚠ Cuidado:

Instale la unidad interior como mínimo 2,4 m (94-1/2 pulgadas) por encima del nivel del suelo.

Para aparatos que no están disponibles para el público general.

- Mediante la plantilla de instalación (parte superior del paquete) y el calibre (suministrado como un accesorio junto a la rejilla), realice una apertura en el techo de forma que la unidad principal se pueda instalar tal y como se indica en el diagrama (el método de utilización de la plantilla y del calibre está indicado).
 - * Antes de utilizarlas, compruebe las dimensiones de la plantilla y del calibre ya que pueden cambiar por fluctuaciones de la temperatura y humedad.
 - * Las dimensiones de la apertura del techo pueden ajustarse dentro de los valores indicados en Fig. 2-2; centre la unidad principal en la apertura asegurándose de que los lados opuestos respectivos alrededor de la apertura sean idénticos.
- Utilice tornillos de suspensión M10 (3/8").
 - * Los tornillos de suspensión no están incluidos en el envío.
- Instale la unidad asegurándose de que no queda espacio entre el panel de techo y la rejilla y entre la unidad principal y la rejilla.

- Ⓐ Lado exterior de la unidad principal
- Ⓑ Paso del tornillo
- Ⓒ Apertura en el techo
- Ⓓ Lado exterior de la rejilla
- Ⓔ Rejilla
- Ⓕ Techo
- Ⓖ Caja multifuncional (opcional)
- Ⓗ Toda la periferia

* Obsérvese que debe haber un espacio de 10 a 15 mm, 25/64 a 19/32 pulgada entre panel de techo de la unidad y placa de techo, etc.

* Si está instalada la caja multifuncional, añada 135 mm, 5-5/16 pulgadas a las dimensiones indicadas en la ilustración.

(mm, pulgadas)

Modelos	A	B
EP06-15	241, 9-1/2	258, 10-3/16
EP18-48	281, 11-1/16	298, 11-3/4

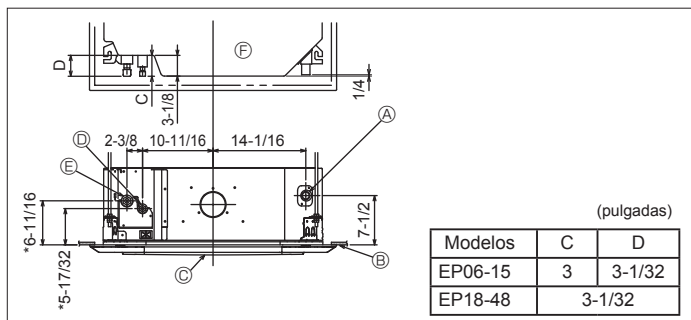


Fig. 2-3

2.3. Ubicaciones de los tubos de refrigerante y drenaje de la unidad interior

Las cifras marcadas mediante * en el gráfico representan el tamaño de la unidad principal sin tener en cuenta la caja multifuncional opcional. (Fig. 2-3)

- Ⓐ Tubo de drenaje
- Ⓑ Techo
- Ⓒ Rejilla
- Ⓓ Tubo de refrigerante (líquido)
- Ⓔ Tubo de refrigerante (gas)
- Ⓕ Unidad principal

* Cuando instale dicha caja, añada 135 mm, 5-5/16 pulgada a las dimensiones marcadas en la figura.

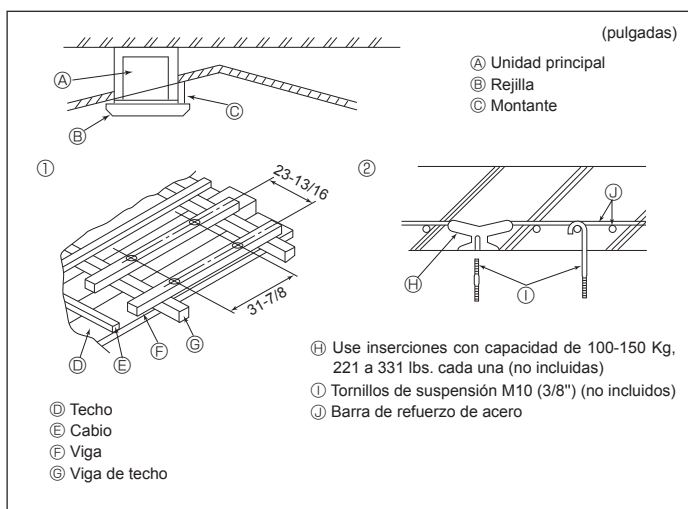


Fig. 2-4

2.4. Estructura de suspensión (Refuerzo de la estructura de suspensión) (Fig. 2-4)

Los trabajos en el techo diferirán según el tipo de construcción del edificio. Se deberá consultar a los constructores y decoradores de interiores.

- Apertura del techo: El techo se mantendrá totalmente horizontal y se reforzarán las estructuras (marco: listones de madera y soportes de listones) para proteger el techo de vibraciones.
- Corte y extraiga la estructura del techo.
- Reforzar los bordes del fundamento de techo donde ha sido cortado y añada elementos estructurales para asegurar los extremos del panel de techo.
- Al instalar la unidad interior en un techo inclinado coloque un montante entre el techo y rejilla y disponga la instalación de forma que la unidad quede horizontal.

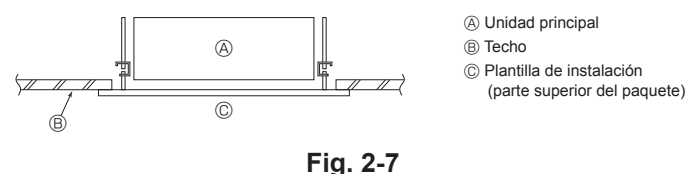
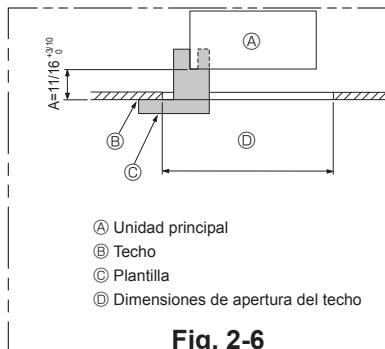
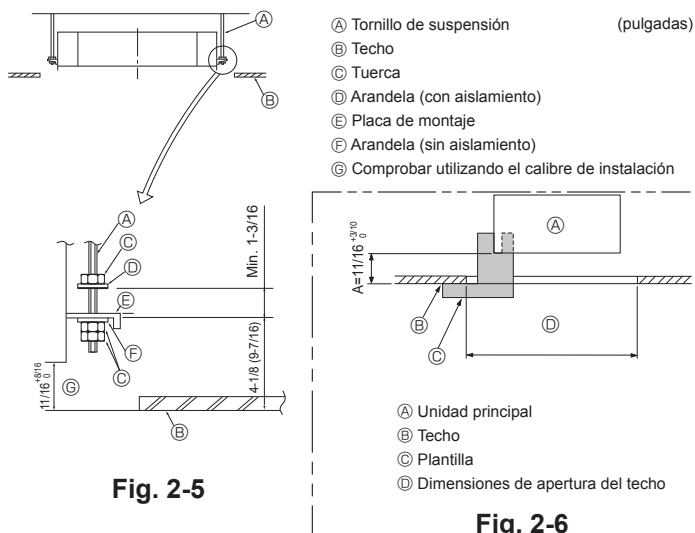
① Estructuras de madera

- Use vigas-tirante (para casas de un solo piso) o vigas de doble piso (para casas de dos pisos) como refuerzo.
- Las vigas de madera para suspender unidades de aire acondicionado deben ser resistentes y sus lados deben medir, al menos, 60 mm, 2-3/8 pulgadas si las vigas están separadas no más de 900 mm, 35-7/16 pulgadas o al menos 90 mm, 3-9/16 pulgadas si están separadas hasta 1800 mm, 70-7/18 pulgadas. El tamaño de los tornillos de suspensión debería ser de $\varnothing 10$ (3/8"). (Los tornillos no vienen incluidos con la unidad.)

② Estructuras de hormigón armado

Asegure los tornillos de suspensión con el método que se muestra en el gráfico o utilice ganchos de acero o madera, etc. para instalar los tornillos de sujeción.

2. Instalación de la unidad interior



2.5. Procedimientos de suspensión de la unidad (Fig. 2-5)

Suspenda la unidad principal como muestra el diagrama. Las cifras entre paréntesis representan las dimensiones en caso de instalar la caja multifuncional.

- Primero coloque las piezas en los tornillos de sujeción en el orden siguiente: arandelas (con aislamiento), arandelas (sin aislamiento) y tuercas (dobles).
 - Coloque la arandela con el acolchado de forma que el aislamiento mire hacia abajo.
 - Si se utilizan arandelas superiores para colgar la unidad principal, las arandelas inferiores (con aislamiento) y las tuercas (dobles) se colocarán más tarde.
- Levante la unidad hasta la altura adecuada de los tornillos de sujeción para insertar la placa de montaje entre arandelas y apretar luego las tuercas.
- Cuando la unidad principal no pueda ser alineada contra los orificios de montaje en el techo, se puede ajustar posteriormente gracias a la ranura prevista en la placa de montaje.
 - Asegúrese de que el paso A se realiza en 17-22 mm, 11/16-7/8 pulgada. Si no se respeta este margen, podrían producirse graves daños. (Fig. 2-6)

⚠ Cuidado:

Utilice la mitad superior de la caja como cubierta protectora para impedir que se introduzca polvo o escombros en el interior de la unidad antes de la instalación de la cubierta decorativa o cuando se coloquen materiales de revestimiento.

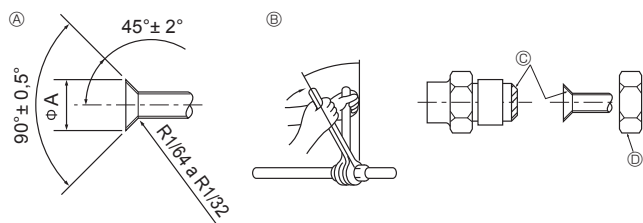
2.6. Confirmación de la posición de la unidad principal y apriete de los tornillos de sujeción (Fig. 2-7)

- Cerciórese, utilizando el calibre unido a la rejilla, de que la parte inferior de la unidad principal esté correctamente alineada con la apertura del techo. Confírmelo, ya que en caso contrario se puede generar una condensación y gotear debido a pérdidas de aire, etc.
- Confirme que la unidad principal está nivelada horizontalmente mediante un nivel o tubo de vinilo relleno de agua.
- Una vez comprobada la posición de la unidad principal, apriete firmemente las tuercas de los tornillos de suspensión para fijar la unidad principal.
- La plantilla de instalación (parte superior del paquete) se puede utilizar como hoja de protección para evitar que entre el polvo en la unidad principal cuando no estén colocadas las rejillas durante un lapso temporal o cuando se alineen los materiales del techo después de haber finalizado la instalación de la unidad.

Nota:

Para más detalles sobre su uso consulte las instrucciones de la plantilla de instalación. (parte superior del paquete)

3. Instalación de los tubos del refrigerante



A Dimensiones del corte abocinado

Tubo de cobre O.D. (mm, pulgada)	Dimensiones de abocinado dimensiones φA (mm, pulgada)
ø6,35, 1/4	8,7 - 9,1, 11/32-23/64
ø9,52, 3/8	12,8 - 13,2, 1/2-33/64
ø12,7, 1/2	16,2 - 16,6, 41/64-21/32
ø15,88, 5/8	19,3 - 19,7, 49/64-25/32
ø19,05, 3/4	22,9 - 23,3, 15/16-61/64

B Tamaños de la tubería de refrigerante y par de apriete de la tuerca abocardada

	Tubería de líquido		Tubería de gas		Flare nut O.D.	
	Tamaño de la tubería (mm) (pulgada)	Torsión de apriete (N.m) (ft.lbs.)	Tamaño de la tubería (mm) (pulgada)	Torsión de apriete (N.m) (ft.lbs.)	Tubería de líquido (mm) (pulgada)	Tubería de gas (mm) (pulgada)
EP06, EP08, EP12, EP15, EP18	ODø6,35 1/4	14 - 18 10 - 13	ODø12,7 1/2	49 - 61 35 - 44	17 43/64	26 1-1/32
EP24, EP30, EP36, EP48	ODø9,52 3/8	34 - 42 25 - 30	ODø15,88 5/8	68 - 82 49 - 59	22 7/8	29 1-9/64

© Aplique aceite refrigerante para máquinas en toda la superficie abocinada.

3.1. Tubos de conexión (Fig. 3-1)

- Si se utilizan tubos de cobre convencionales, envuelva los tubos de gas y líquido con materiales aislantes (resistente al calor hasta 100 °C, 212 °F o más, espesor de 12 mm, 1/2 pulgada o más).
- Aplique una capa delgada de aceite refrigerante a la superficie tubo y de la junta de asiento antes de apretar la tuerca de abocardado.
- Utilice dos llaves de apriete para apretar las conexiones de los tubos.
- Utilice el aislante de tubería de refrigerante suministrado para aislar las conexiones de la unidad interior. Realice los aislamientos con cuidado.
- Después de haber conectado los tubos de refrigerante a la unidad interior, realice una prueba de fuga de gas de las conexiones de los tubos con gas nitrógeno. (Compruebe que no exista ninguna fuga entre los tubos de refrigerante y la unidad interior.)
- Utilice la tuerca abocardada instalada en esta unidad interior.
- Si vuelve a conectar los tubos de refrigerante después de desmontarlos, asegúrese de que se haya reconstruido la parte abocardada del tubo.

3. Instalación de los tubos del refrigerante

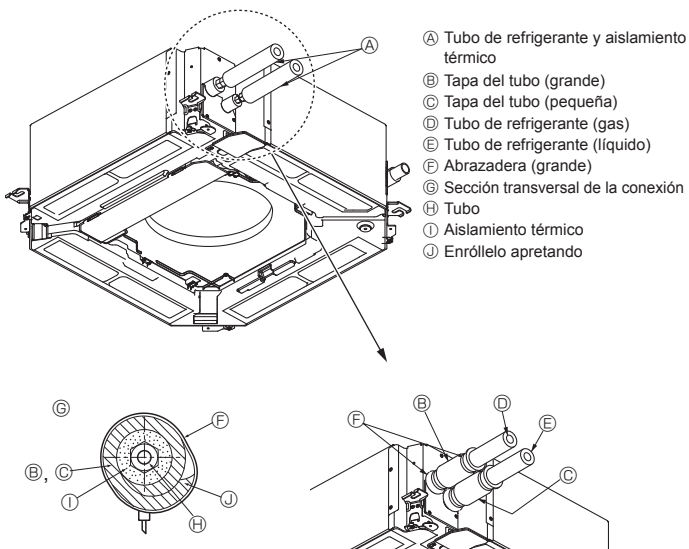


Fig. 3-2

3.2. Unidad interior (Fig. 3-2)

Aislamiento del calor para los tubos refrigerantes:

- 1 Envuelva la cubierta adjunta del tubo de mayor tamaño alrededor del tubo de gas, asegurándose de que el extremo de la cubierta del tubo entre en contacto con el lateral de la unidad.
- 2 Envuelva la cubierta adjunta del tubo de menor tamaño alrededor del tubo de líquido, asegurándose de que el extremo de la cubierta del tubo entre en contacto con el lateral de la unidad.
- 3 Asegure ambos extremos de cada cubierta del tubo con las uniones adjuntas (coloque las uniones a 20 mm, 25/32 pulgada de los extremos de la cubierta del tubo).

4. Tubería de drenaje

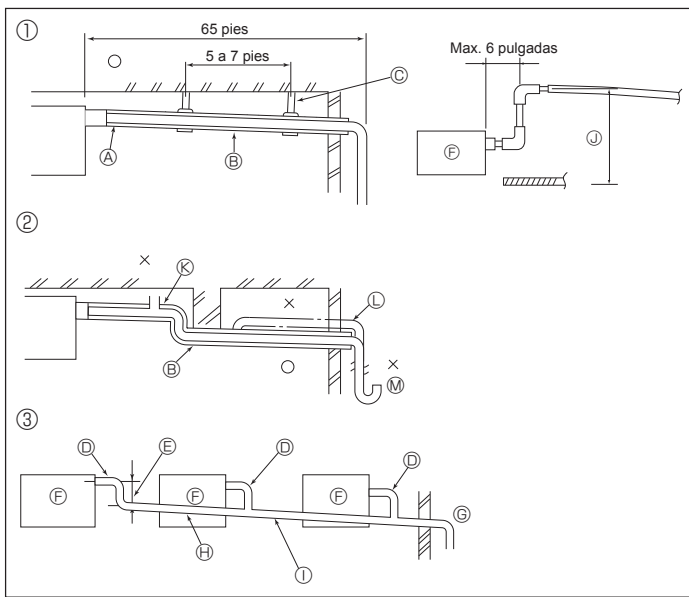


Fig. 4-1

4.1. Tubería de drenaje (Fig. 4-1)

- Las piezas interiores del tubo de drenaje tienen que estar envueltas en materiales aislantes de espuma de polietileno (gravedad específica de 0,03 y espesor de 9 mm, 11/32 pulgada o más).
- Utilice VP25 (tubo de PVC de O.D. ø32 mm, 1-1/4 pulgadas) para el tubo de drenaje y prevea una pendiente de descenso de 1/100 o más.
- Conecte las juntas de los tubos con un adhesivo de tipo PVC.
- Observe la figura para realizar los trabajos de canalización.
- Utilice la manguera de drenaje incluida para cambiar la dirección de la extracción.

- | | |
|---|---|
| ① Tubería correcta | Ⓞ Haga la medida de la tubería ancha para la agrupación de tuberías |
| ② Tubería incorrecta | Ⓜ Pendiente de descenso de 1/100 o más |
| ③ Agrupación de tuberías | Ⓛ O.D. ø38 mm, 1-1/2 pulgadas TUBO PVC para agrupación de tuberías. (9 mm, 11/32 pulgada o mayor aislamiento) |
| Ⓐ Aislamiento (9 mm, 11/32 pulgada o más) | Ⓝ Metal de soporte |
| Ⓑ Pendiente de descenso de 1/100 o más | ⓓ O.D. ø32 mm, 1-1/4 pulgadas TUBO PVC |
| Ⓒ Unión | ⓔ Hasta 850 mm, 33-7/16 pulgadas |
| Ⓓ O.D. ø32 mm, 1-1/4 pulgadas TUBO PVC | ⓕ Hágallo lo más ancho posible (aprox. 100 mm, 3-15/16 pulgadas) |
| ⓔ Expulsador de aire | ⓖ Unidad interior |
| Ⓛ Elevado | ⓗ Retención de olores |

1. Conecte el tubo de desagüe (suministrado con la unidad) al orificio de desagüe. (Fig. 4-2) (Sujete el tubo con cinta aislante y asegure la conexión con una abrazadera.)
2. Instale un tubo de drenaje (no incluido) (tubo de PVC, O.D. ø32 mm, 1-1/4 pulgadas). (Sujete el tubo con cinta aislante y asegure la conexión con una abrazadera.)
3. Compruebe que el líquido de drenaje circule correctamente.
4. Aísle el tubo y el orificio de desagüe con material aislante, y sujételo con una abrazadera. (Tanto el material aislante como la abrazadera se incluyen con la unidad).
5. Aísle el tubo de drenaje (tubo de PVC, O.D. ø32 mm, 1-1/4 pulgadas).

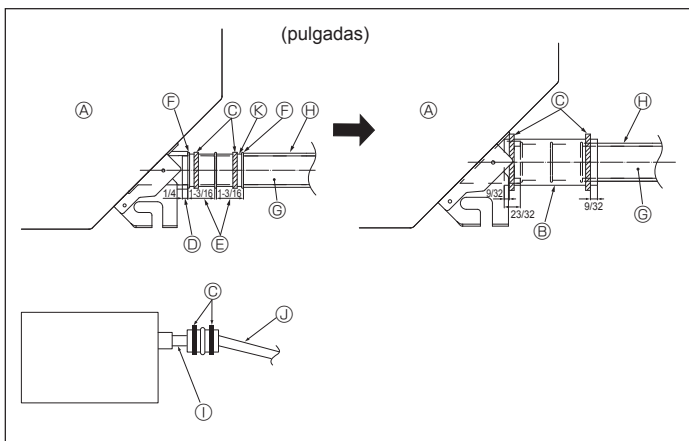


Fig. 4-2

- | | |
|------------------------------------|--|
| Ⓐ Unidad principal | Ⓞ Tubo de drenaje (O.D. ø32 mm, 1-1/4 pulgadas PVC TUBO) |
| Ⓑ Material aislante | Ⓜ Material aislante (comprado en su localidad) |
| Ⓒ Abrazadera | Ⓛ Tubo de PVC transparente |
| Ⓓ Puerto de drenaje (transparente) | Ⓨ O.D. ø32 mm, 1-1/4 pulgadas PVC TUBO (Inclinación mínima de 1/100) |
| Ⓔ Límite de colocación | Ⓩ Tubo de desagüe |
| Ⓕ Unión | |

5. Trabajo eléctrico

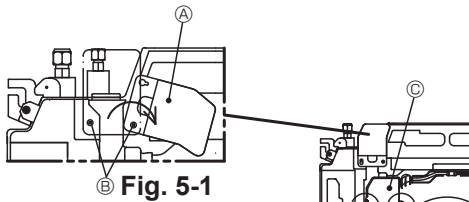


Fig. 5-1

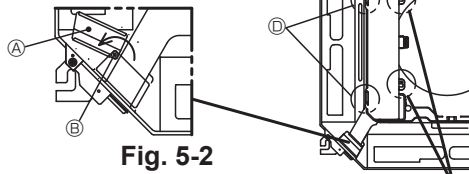


Fig. 5-2

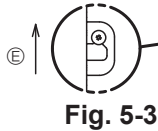


Fig. 5-3

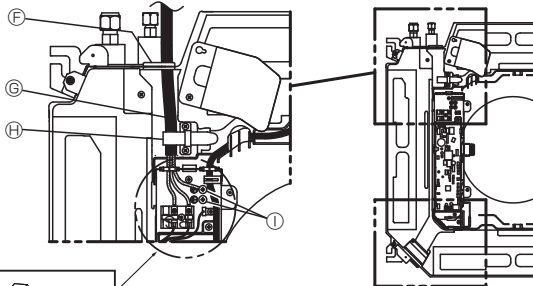


Fig. 5-4

Panel de terminales de alimentación
Conecte siempre el cable VVF (Ø máx. 1/16) en la ranura en forma de U.

Nota:

1. La ranura en forma de U se abre si se presiona la cabeza del tornillo después de aflojarlo.
2. Inserte siempre los cables con el mismo diámetro.

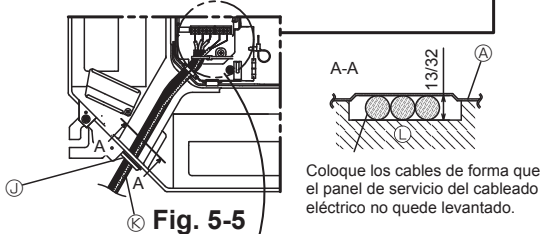
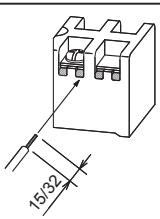


Fig. 5-5

Coloque los cables de forma que el panel de servicio del cableado eléctrico no quede levantado.

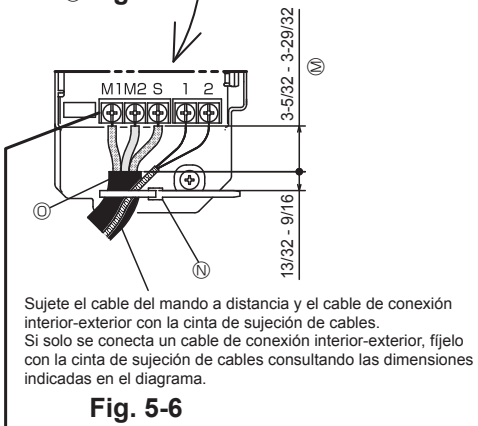
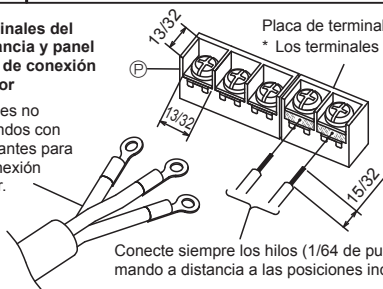


Fig. 5-6

Sujete el cable del mando a distancia y el cable de conexión interior-exterior con la cinta de sujeción de cables. Si solo se conecta un cable de conexión interior-exterior, fijelo con la cinta de sujeción de cables consultando las dimensiones indicadas en el diagrama.

Panel de terminales del mando a distancia y panel de terminales de conexión interior-exterior

Utilice terminales no soldados redondos con manguitos aislantes para el cable de conexión interior-exterior.



Conecte siempre los hilos (1/64 de pulgada) del cable del mando a distancia a las posiciones indicadas en el diagrama.

5.1. Unidad interior

* Complete todo el trabajo eléctrico antes de instalar la rejilla.

1. Afloje los dos tornillos que fijan el panel de servicio del cableado eléctrico a la entrada de cables (cable de alimentación), y luego gire el panel de servicio a la posición mostrada en el diagrama. (Fig. 5-1)
 2. Afloje el tornillo que fija el panel de servicio del cableado eléctrico a la entrada de cables (cable del mando a distancia y cable de conexión interior-exterior), y luego gire el panel de servicio a la posición mostrada en el diagrama. (Fig. 5-2)
 3. Afloje los dos tornillos que fijan la cubierta de la caja eléctrica, deslice la cubierta y retírela. (La cubierta puede quedar colgada provisionalmente). (Fig. 5-3)
 4. Coloque los cables en la unidad interior pasándolos a través de las entradas respectivas.
 5. Conecte firmemente los cables a las placas de terminales. (Fig. 5-4, 5-5)
- Nota:
1. En la siguiente tabla puede consultar el par de apriete de los tornillos de la placa de terminales.
 2. No tense demasiado los cables para que la caja eléctrica pueda dejarse colgando de la unidad durante el servicio.
6. Fije el cable de alimentación con la cinta de sujeción de cables de la unidad. (Fig. 5-4)
 7. Sujete el cable del mando a distancia y el cable de conexión interior-exterior con la cinta de sujeción de cables de la unidad.
 8. Vuelva a colocar las piezas que ha retirado en sus posiciones originales.

- (A) Panel de servicio del cableado eléctrico
- (B) Tornillo
- (C) Cubierta de la caja eléctrica
- (D) Gancho para colgar la cubierta de la caja eléctrica temporalmente
- (E) Dirección de deslizamiento de la cubierta de la caja eléctrica
- (F) Entrada de cables (cable de alimentación)
- (G) Cable de alimentación
- (H) Asegurar con la cinta de sujeción de cables
- (I) Punto de conexión del cable de tierra
- (J) Entrada de cables (cable del mando a distancia y cable de conexión interior-exterior)
- (K) Cable del mando a distancia y cable de conexión interior-exterior
- (L) Depósito de drenaje
- (M) Longitud del cable no cubierta por la funda del cable de conexión interior-exterior
- (N) Cinta de sujeción de cables
- (O) Funda del cable de conexión interior-exterior
- (P) Panel de terminales de conexión interior-exterior

Par de apriete del tornillo de la placa de terminales

	Par de apriete (ft.lbs)
Placa de terminales del mando a distancia	0,9 ± 0,1
Placa de terminales de conexión interior-exterior	0,9 ± 0,1
Placa de terminales de alimentación	0,9 ± 0,1

ATENCIÓN

Nunca conecte a una fuente de alimentación de 208 - 230 VCA.

Precauciones al realizar el trabajo eléctrico

* Tenga en cuenta las siguientes precauciones para cada placa de terminales.



- Conecte los cables con el mismo diámetro en ambos lados.

ATENCIÓN



- Está prohibido conectar dos cables en un lado.
- Está prohibido conectar tres o más cables al mismo terminal.



- Está prohibido conectar cables de diámetros diferentes.

5. Trabajo eléctrico

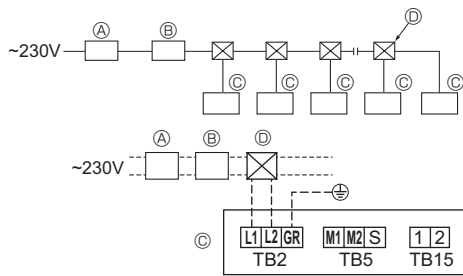


Fig. 5-7

5.2. Cableado de alimentación

- El tamaño del cableado deberá cumplir con las normativas nacionales y locales aplicables.
- Utilice cables de suministro de cobre. Utilice cables UL de 300 V o más para los cables de alimentación.
- Instale un cable a tierra más largo que los demás cables.
- La instalación del aire acondicionado debe proporcionar un interruptor con un mínimo de 3 mm (1/8 pulgadas) de separación entre los contactos de cada polo.

[Fig. 5-7]

- Ⓐ Interruptor de falta de tierra
- Ⓑ Interruptor local/Interruptor de cableado
- Ⓒ Unidad interior
- Ⓓ Caja de derivación

⚠ **Atención:**

No empalme nunca el cable de corriente o el cable de la conexión interior-exterior, de lo contrario se podrían provocar humo, un incendio o un fallo en la comunicación.

Corriente operativa total de la unidad interior	Grosor mínimo de cable (mm ² /AWG)					Interruptor para cableado (NFB)	Interruptor de falta de tierra *1
	Cable principal	Ramal	Tierra	Capacidad	Fusible		
F0 = 15 A o menos *2	2,1/14	2,1/14	2,1/14	15	15	15	Sensibilidad de corriente de 15 A *3
F0 = 20 A o menos *2	3,3/12	3,3/12	3,3/12	20	20	20	Sensibilidad de corriente de 20 A *3
F0 = 30 A o menos *2	5,3/10	5,3/10	5,3/10	30	30	30	Sensibilidad de corriente de 30 A *3

Aplíquese el IEC61000-3-3 para la impedancia máx. admitida en el sistema

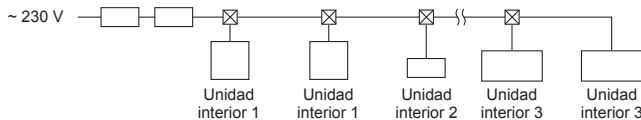
*1 El interruptor de falta de tierra debería ser compatible con el circuito del inversor.

El interruptor de falta de tierra debería emplear un interruptor local o un interruptor de cableado.

*2 Emplee el mayor de F1 o F2 como valor de F0.

F1 = corriente máxima operativa total de las unidades interiores × 1,2

F2 = {V1 × (Cantidad de unidad interior 1)/C} + {V1 × (Cantidad de unidad interior 2)/C} + {V1 × (Cantidad de unidad interior 3)/C} + ...



• V1 y V2

V1 y V2 son el coeficiente del disyuntor.

V1: Coeficiente del disyuntor de la corriente nominal

V2: Coeficiente del disyuntor de la sensibilidad de la corriente

Los valores de V1 y V2 varían según el modelo. Por lo tanto, consulte el IM de cada modelo.

• C : Múltiplo de la corriente de activación en un tiempo de activación de 0,01 s

Por favor, calcule la variable "C" en función del grado de activación del interruptor.

<Ejemplo de cálculo para "F2">

• Condición PLFY-NEMU × 4 + PEFY-NMAU × 1, C = 8 (consulte el gráfico de la derecha)

V1 de PLFY-NEMU = 19,8, V1 de PEFY-NMAU = 38

F2 = 19,8 × 4/8 + 38 × 1/8

= 14,65

→ interruptor de 16 A (Corriente de activación = 8 × 16 A a 0,01 s)

*3 La sensibilidad de corriente se calcula mediante la siguiente fórmula.

G1 = V2 × (Cantidad de unidad interior 1) + V2 × (Cantidad de unidad interior 2) + V2 × (Cantidad de unidad interior 3) + V2 × ... + V3 × (Longitud del cable [km])

<Ejemplo de cálculo para "G1">

*Condición : PKFY-NLMU × 2 + PLFY-NEMU × 2 + PEFY-NMAU × 1

V2 de PKFY-NLMU = 2,4, V2 de PLFY-NEMU = 2,4, V2 de PEFY-NMAU = 1,6, grosor y longitud del cable:

1,5 mm² (AWG14) 0,2 km

G1 = 2,4 × 2 + 2,4 × 2 + 1,6 × 1 + 48 × 0,2

= 20,8

Como resultado, la sensibilidad de la corriente es de 30 mA 0,1 s o inferior.

G1	Sensibilidad de corriente
30 o menos	30 mA 0,1 s o menos
100 o menos	100 mA 0,1 s o menos

Grosor de cable (mm ² /AWG)	V3
2,1/14	48
3,3/12	56
5,3/10	66

5.3. Tipos de cables de control

1. Cables de transmisión

Tipo de cable de transmisión	Cable blindado Utilice un cable UL de 300 V
Diámetro del cable	Más de 1,25 mm ² (AWG16)
Longitud	Menos de 200 m, 219 yardas

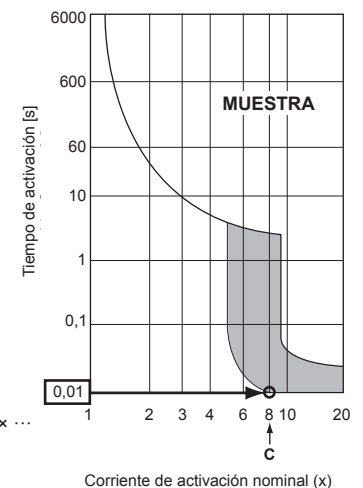
2. Cables de mando a distancia M-NET

Tipo de cable de mando a distancia	Cable blindado Utilice un cable UL de 300 V
Diámetro del cable	0,5 (AWG20) a 1,25 mm ² (AWG16)
Longitud	Cualquier fragmento que sobrepase los 10 m, 33 pies y hasta los 200 m, 219 yardas de longitud máxima permitida para los cables.

3. Cables de mando a distancia MA

Tipo de cable de mando a distancia	Cable flexible de 2 almas (no blindado) Utilice un cable UL de 300 V
Diámetro del cable	0,3 (AWG22) a 1,25 mm ² (AWG16)
Longitud	Menos de 200 m, 219 yardas

Gráfico de muestra



5. Trabajo eléctrico

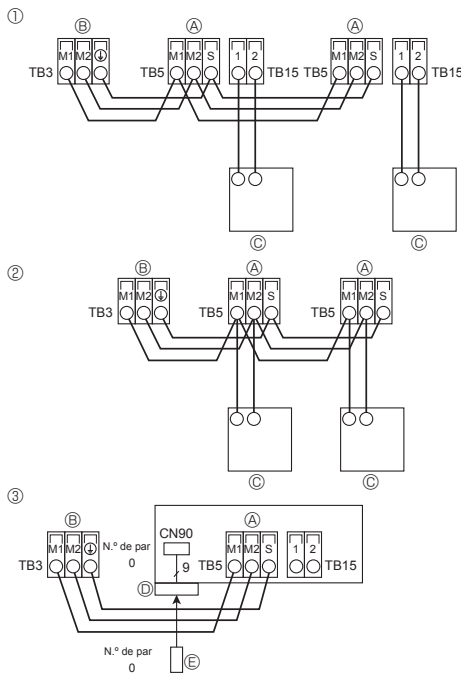


Fig. 5-8

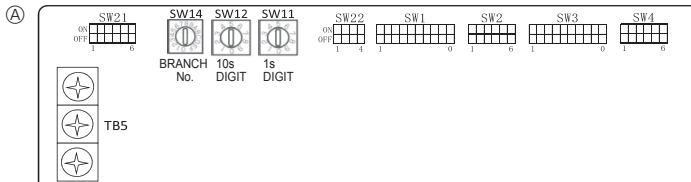


Fig. 5-9

5.6. Ajuste del interruptor según la altura del techo (Fig. 5-9)

En esta unidad, el movimiento del flujo del aire y la velocidad del ventilador se pueden regular ajustando el interruptor deslizante (SW21). Seleccione la posición más apropiada según el lugar donde se haya realizado la instalación a partir de la siguiente tabla.

			PLFY-EP06-EP30NEMU-E(1)						PLFY-EP36-EP48NEMU-E					
			Silencio		Estándar		Techo alto		Silencio		Estándar		Techo alto	
			SW21-1	SW21-2	SW21-1	SW21-2	SW21-1	SW21-2	SW21-1	SW21-2	SW21-1	SW21-2	SW21-1	SW21-2
			OFF	ON	OFF	OFF	ON	OFF	OFF	ON	OFF	ON	OFF	
4 direcciones	SW21-3	OFF	2,5 m, 8,2 pies		2,7 m, 8,9 pies		3,5 m, 11,5 pies		2,7 m, 8,9 pies		3,2 m, 10,5 pies		4,5 m, 14,8 pies	
	SW21-4	ON												
3 direcciones	SW21-3	OFF	2,7 m, 8,9 pies		3,0 m, 9,8 pies		3,5 m, 11,5 pies		3,0 m, 9,8 pies		3,6 m, 11,8 pies		4,5 m, 14,8 pies	
	SW21-4	OFF												
2 direcciones	SW21-3	ON	3,0 m, 9,8 pies		3,3 m, 10,8 pies		3,5 m, 11,5 pies		3,3 m, 10,8 pies		4,0 m, 13,1 pies		4,5 m, 14,8 pies	
	SW21-4	OFF												

5.7. Captar la temperatura de la sala con el sensor incorporado en el mando a distancia (Fig. 5-9)

Si desea captar la temperatura de la sala con el sensor incorporado en el mando a distancia, ponga el conmutador SW1-1 en "ON". La adecuada configuración de SW1-7 y SW1-8 también permite ajustar el flujo de aire cuando el termómetro de la calefacción esté desactivado.

5.4. Conexión de los cables de transmisión del mando a distancia y de las unidades exterior e interior (Fig. 5-8)

• Conecte TB5 de la unidad interior y TB3 de la unidad exterior (cable no polarizado de 2 hilos).
La "S" en TB5 de la unidad interior indica una conexión de cable blindado. Consulte en el manual de instalación de la unidad exterior las especificaciones sobre los cables de conexión.

• Instale el mando a distancia siguiendo las indicaciones del manual que se suministra con el mismo.
• Si el cable de transmisión del mando a distancia tiene menos de 10 m, 33 pies., use un cable de conductor interno aislado de 0,75 mm² (AWG18). Si la distancia es superior a los 10 m, 33 pies., use un cable de enlace de 1,25 mm².

① Mando a distancia MA

• Conecte el "1" y el "2" de la unidad interior TB15 a un mando a distancia MA (2 cables no polarizados).
• DC 9 a 13 V entre 1 y 2 (Mando a distancia MA)

② Mando a distancia M-NET

• Conecte el "M1" y el "M2" de la unidad interior TB5 a un mando a distancia M-NET (2 cables no polarizados).
• DC 24 a 30 V entre M1 y M2 (Mando a distancia M-NET)

③ Controlador remoto inalámbrico (al instalar un receptor de señales inalámbrico)

• Conecte el cable del receptor inalámbrico (cable de 9 polos) al CN90 del cuadro del controlador interior.

• Si hay más de dos unidades controladas en grupo mediante un controlador remoto inalámbrico, conecte TB15 siempre al mismo número.

• Para cambiar el N° pareja, consulte el manual de instalación que acompaña al controlador remoto inalámbrico (en la configuración inicial de la unidad interior y del controlador remoto inalámbrico, el n° de pareja es 0).

Ⓐ Bloque de terminales para los cables de transmisión interiores

Ⓑ Bloque de terminales para los cables de transmisión exteriores (M1(A), M2(B), Ⓢ)

Ⓒ Mando a distancia

Ⓓ Receptor de señales inalámbrico

Ⓔ Controlador remoto inalámbrico

5.5. Configuración de las direcciones (Fig. 5-9)

(Asegúrese de trabajar con la corriente desconectada)

• Hay disponibles dos tipos de configuraciones para los conmutadores giratorios: uno para la configuración de las direcciones 1 a 9 y por encima de 10 y otro para configurar los números de los ramales.

① Cómo configurar las direcciones

Ejemplo: Si la Dirección es "3", deje SW12 (por encima de 10) en "0" y ponga SW11 (para 1 a 9) en "3".

② Como configurar los números de ramal SW14 (Sólo serie R2)

El número de ramal asignado a cada unidad interior es el número de conexión del controlador BC al que está conectada la unidad interior.

En las unidades que no pertenezcan a la serie R2, deje "0".

• Los conmutadores giratorios salen de fábrica puestos en "0". Estos conmutadores pueden usarse para configurar a voluntad las direcciones de la unidad y los números de cada ramal.

• Las direcciones de las unidades interiores se determinan de forma distinta en la propia instalación según el sistema. Configúrelas según el manual de datos.

Ⓐ Tablero de direcciones

Nota:

Asegúrese de que el interruptor SW21 está en la posición correcta, ya que, de no estarlo, podrían producirse problemas como la falta de expulsión de aire.

5. Trabajo eléctrico

5.8. Especificaciones eléctricas

Leyenda: MCA: amperaje mínimo del circuito (= 1,25×ACP)

FLA: amperaje con carga plena

IFM: motor del ventilador interno

Potencia: potencia nominal del motor del ventilador

PLFY-EP-NEMU-E / PLYF-EP-NEMU-E1

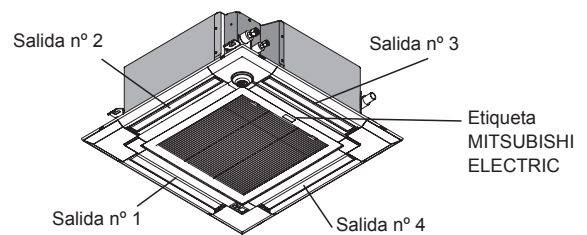
Modelo	Fuente de alimentación			IFM		
	Hz	Voltios	Rango de voltaje	MCA (A)	Potencia (kW)	FLA (A)
PLFY-EP06NEMU-E	60 Hz	208 / 230 V	198 a 253 V	0,24	0,050 / 0,050	0,19
PLFY-EP08, EP12, EP15NEMU-E				0,39		0,31
PLFY-EP18NEMU-E1, EP24NEMU-E				0,54	0,120 / 0,120	0,43
PLFY-EP30NEMU-E				0,57		0,45
PLFY-EP36NEMU-E				0,92		0,73
PLFY-EP48NEMU-E				1,27		1,01

5.9. Para ajustar el aire en dirección arriba/abajo de forma fija (solo controlador remoto cableado)

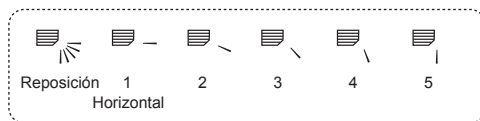
- Los siguientes procedimientos solo permiten fijar la salida particular en una dirección concreta. Una vez fijada, la salida ajustada se fija únicamente cada vez que se enciende el acondicionador de aire. (El resto de salidas siguen la dirección del aire ARRIBA/ABAJO ajustada en el mando a distancia).

■ Definición de términos

- “Ref. address” (Codificación) y “Unit No.” (Nº Unid.) son los números asignados a cada acondicionador de aire.
- “Nº de salida” es el número asignado a cada salida del acondicionador de aire. (Consulte la imagen de la derecha.)
- “Dirección del aire Arriba/Abajo” es la dirección (ángulo) que se debe fijar.



Nota: “0” significa todas las salidas.



Ajuste del mando a distancia

En esta salida, la dirección del flujo de aire está controlada por el ajuste seleccionado con el mando a distancia.

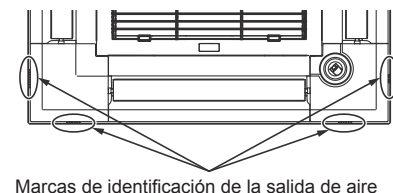
Ajuste fijo

En esta salida, la circulación del aire está fijada en una dirección concreta.

* Si tiene frío debido a que el aire le da directamente, la circulación de éste puede fijarse en posición horizontal para que no ocurra esto.

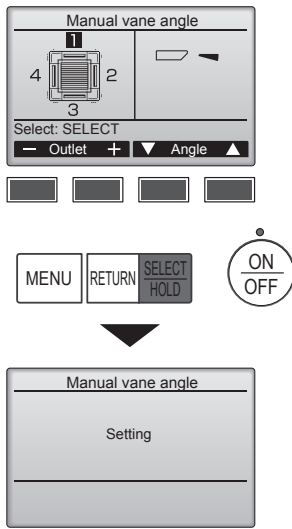
Nota:

El nº de salida se indica según el número de ranuras en ambos extremos de cada salida de aire. Ajuste la dirección del aire consultando la información que se muestra en la pantalla del mando a distancia.



Marcas de identificación de la salida de aire

5. Trabajo eléctrico



Si se seleccionan todas las salidas, se mostrará la siguiente vez que la unidad entre en funcionamiento.

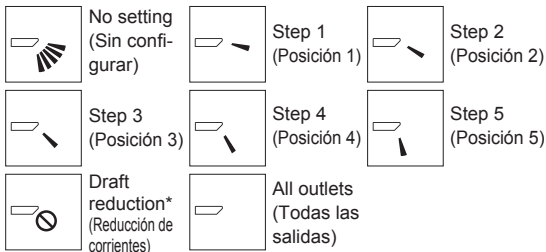
Navegar por las pantallas
• Para volver a la pantalla anterior.....Botón [RETURN]

Se mostrará el ajuste actual de los deflectores.

Seleccione las salidas que desee de 1 a 4 con el botón [F1] o [F2].
• Salida: "1", "2", "3", "4" y "1, 2, 3, 4, (todas las salidas)"

Pulse el botón [F3] o [F4] para desplazarse por las opciones en este orden: "No setting (reset)" (Sin configurar (Borrar)), "Step 1" (Posición 1), "Step 2" (Posición 2), "Step 3" (Posición 3), "Step 4" (Posición 4) y "Step 5" (Posición 5).
Seleccionar el ajuste deseado.

■ Ajuste de los deflectores



* Reducción de corrientes

La dirección del flujo de aire para este ajuste es más horizontal que la dirección del flujo de aire para el ajuste "Step 1" (Posición 1) para reducir la sensación de corrientes de aire. La reducción de corrientes solo puede ajustarse para 1 deflector.

Pulse el botón [SELECT/HOLD] para guardar los ajustes.

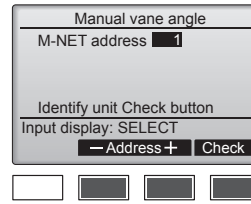
Aparecerá una pantalla indicando que se está transmitiendo la información de configuración.

Se realizarán los cambios deseados en la salida seleccionada.

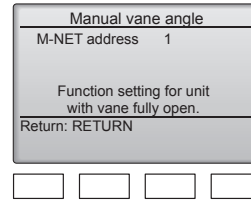
Una vez completada la transmisión, la pantalla volverá automáticamente a la mostrada arriba (posición 4).

Realice las configuraciones para las otras salidas siguiendo los mismos procedimientos.

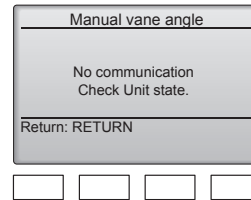
■ Procedimiento de confirmación



- ① Seleccione "M-NET address" (dirección M-NET) para las unidades cuyos álabes haya que fijar, con los botones [F2] o [F3].
Presione el botón [F4] para confirmar la unidad.



- ② Después de pulsar el botón [F4], espere unos 15 segundos y compruebe el estado actual del acondicionador de aire.
→ La lama está orientada hacia abajo.
→ Este acondicionador de aire se visualiza en el controlador remoto.
→ Todas las salidas están cerradas.
→ Pulse el botón [RETURN] y continúe la operación desde el principio.
→ Se visualizan los mensajes mostrados a la izquierda.
→ El dispositivo de destino no existe en esta codificación de refrigerante.
• Pulse el botón [RETURN] para volver a la pantalla inicial.



- ③ Cambie "M-NET address" (dirección M-NET) al siguiente número.
• Consulte el paso ① para cambiar "M-NET address" (dirección M-NET) y continúe con la confirmación.

6. Instalación de la rejilla

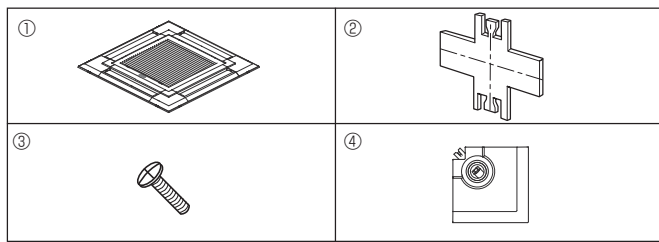


Fig. 6-1

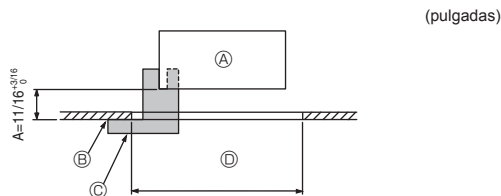


Fig. 6-2

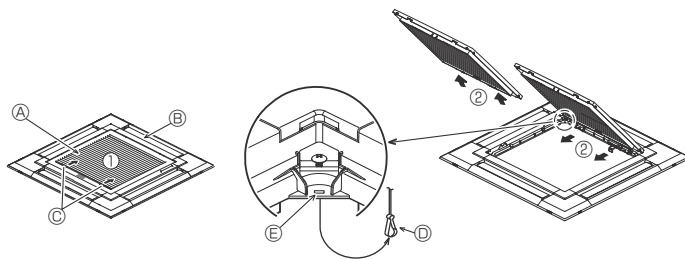


Fig. 6-3

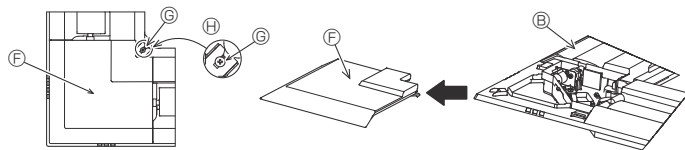


Fig. 6-4

	4 direcciones	3 direcciones
Patrones de la dirección de circulación	1 patrón: Ajuste de fábrica 	4 patrón: 1 salida de aire completamente cerrada
Patrones de la dirección de circulación	2 direcciones 6 patrón: 2 salidas de aire completamente cerradas 	

Tabla 1

6.1. Comprobación de los contenidos (Fig. 6-1)

• Este equipo contiene este manual y las siguientes piezas.

	Nombre accesorio	Cantidad	Forma
①	Dimensiones de la rejilla	1	950 × 950 (mm), 37-13/32 × 37-13/32 (pulgadas)
②	Plantilla	1	Dividido en cuatro partes
③	Tornillo (4 × 16)	1	Para PLFY-EP-NEMU-E(1)
④	Panel angular del 3D i-see Sensor	1	Para PLFY-EP-NEMU-E(1)

6.2. Preparación para conectar la rejilla (Fig. 6-2)

- Con la plantilla ② que se suministra con este equipo, ajuste y compruebe la posición de la unidad en el techo. Si la unidad no está colocada en el techo de forma adecuada, podrían producirse escapes de aire o generarse una condensación.
- Asegúrese de que la abertura del techo está dentro de los siguientes límites: 860 × 860 - 910 × 910 mm, 33-7/8 × 33-7/8 a 35-13/16 × 35-13/16 pulgadas.
- Asegúrese de que el paso A se realiza en 17-22 mm, 11/16-7/8 pulgadas. Si no se respeta este margen, podrían producirse graves daños.

- ① Unidad principal
- ② Techo
- ③ Plantilla ② (medida en la unidad)
- ④ Dimensiones de apertura del techo

6.2.1. Extracción de la rejilla de admisión (Fig. 6-3)

- Deslice las palancas en la dirección indicada mediante la flecha ① para abrir la rejilla de admisión.
- Quite el gancho que fija la rejilla.

Nota:

No quite el gancho de la rejilla de admisión.

- Con la rejilla de admisión en posición "abierta", extraiga la bisagra de la rejilla de admisión de la rejilla tal y como se indica mediante la flecha ②.

6.2.2. Extracción del panel angular (Fig. 6-4)

- Extraiga el tornillo de la esquina del panel angular. Deslice los paneles angulares indicados por la flecha ① para extraer este panel.

[Fig. 6-3] [Fig. 6-4]

- ① Rejilla de admisión
- ② Rejilla
- ③ Palancas de la rejilla de admisión
- ④ Gancho de la rejilla
- ⑤ Orificio para el gancho de la rejilla
- ⑥ Panel angular
- ⑦ Tornillo
- ⑧ Detalle

6.3. Selección de las salidas de aire

Para esta rejilla, la dirección de expulsión puede seleccionarse entre 11 modalidades. También es posible, estableciendo los valores adecuados en el control remoto, ajustar la corriente de aire y su velocidad. Seleccione los valores adecuados en la tabla 1 de acuerdo con el lugar en que vaya a instalar la unidad.

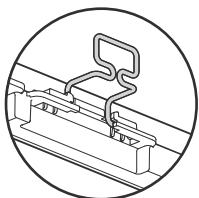
- 1) Elija una modalidad de expulsión.
- 2) Asegúrese de configurar correctamente el controlador remoto, según el número de salidas de aire y la altura del techo en que se haya instalado la unidad.

Nota:

Para los esquemas de evacuación de aire de 3 y 2 direcciones, utilice la placa de cierre de la salida de aire (opcional).

6. Instalación de la rejilla

<El gancho está levantado>



<El gancho está bajado>

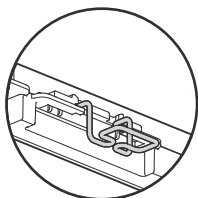
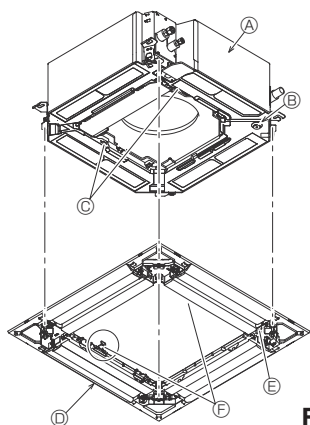


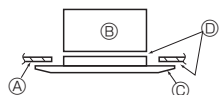
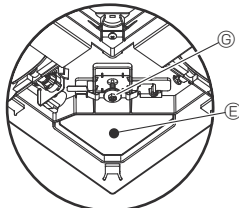
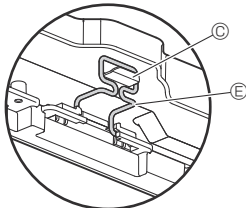
Fig. 6-5



- Ⓐ Unidad principal
- Ⓑ Zona del tubo de drenaje angular
- Ⓒ Gancho de la unidad principal
- Ⓓ Rejilla
- Ⓔ Orificio del tubo de desagüe
- Ⓕ Ganchos para sujeción provisional en el panel

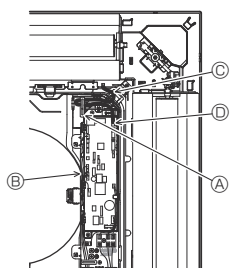
Fig. 6-6

<Gancho de la rejilla>



- Ⓐ Techo
- Ⓑ Unidad principal
- Ⓒ Rejilla
- Ⓓ Compruebe que no queden huecos.
- Ⓔ Ajuste la tuerca de la unidad principal con una llave inglesa o similar.

Fig. 6-7



- Ⓐ Abrazadera de la unidad principal
- Ⓑ Caja eléctrica
- Ⓒ Cable conductor de la rejilla
- Ⓓ Conector CNV

Fig. 6-8

6.4. Instalar la rejilla

6.4.1. Preparaciones (Fig. 6-5)

Compruebe que los dos ganchos para sujeción provisional de la rejilla están levantados.

6.4.2. Instalación provisional de la rejilla (Fig. 6-6)

• Alinee los orificios de los tornillos en las esquinas de la rejilla con los orificios correspondientes en las esquinas de la unidad principal, sujete los dos ganchos de la rejilla en los resaltes del depósito de drenaje de la unidad principal, y cuelgue provisionalmente la rejilla.

6.4.3. Fijación de la rejilla

• Sujete la rejilla apretando los cuatro tornillos. (Fig. 6-6)

Nota:

Compruebe que no haya huecos entre la unidad principal y el panel, o entre el panel y el techo. (Fig. 6-7)

Corrección de huecos entre la rejilla y el techo

Con la rejilla colocada, ajuste la altura de la unidad principal para corregir el hueco.

⚠ Precaución:

- Cuando apriete el tornillo con la arandela cautiva Ⓒ, hágalo con un intervalo de par de apriete de 2,8–3,6 N·m, 2,1–2,6 ft·lbs. No utilice nunca un atornillador por percusión. Podría provocar daños en las piezas.
- Después de apretar el tornillo, confirme que los dos ganchos de la rejilla (Fig. 6-6) estén sujetos en los ganchos de la unidad principal.

6.4.4. Conexión de los cables (Fig. 6-8)

- Afloje los 2 tornillos que sujetan la cubierta de la caja eléctrica de la unidad principal, y luego abra la cubierta.
- Compruebe que conecta el conector (blanco, de 20 polos) para el motor de los deflectores de la rejilla al conector CNV del cuadro del controlador de la unidad principal.
- El resto del cable conductor se sujeta con una abrazadera en la caja eléctrica de la unidad principal.
- La cubierta de la caja eléctrica de la unidad principal vuelve a cerrarse con 2 tornillos.

6. Instalación de la rejilla

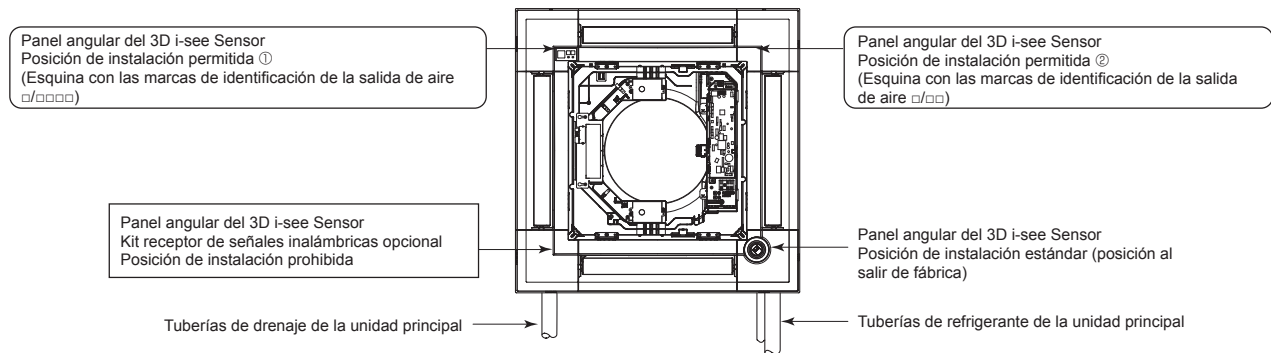


Fig. 6-9

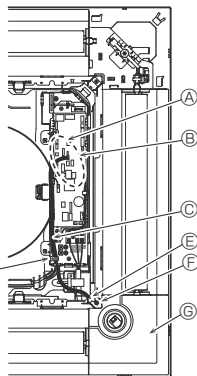


Fig. 6-10

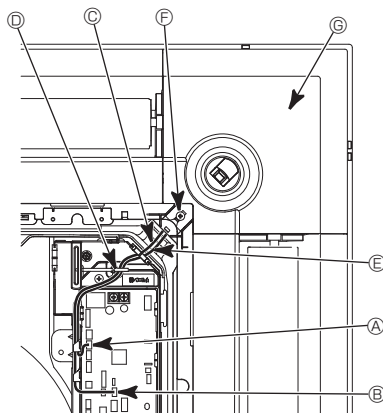


Fig. 6-11

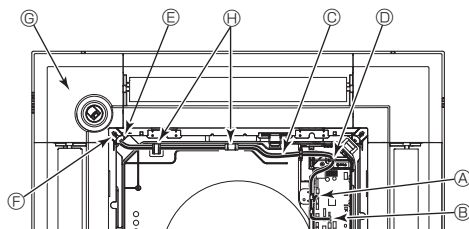


Fig. 6-12

6.5. Instalación del panel angular del 3D i-see Sensor (Fig. 6-9)

6.5.1. Posición estándar (Fig. 6-10) y posición ② (Fig. 6-11)

- Tome los cables conductores CN4Z (blanco, de 4 polos) y CN5Y (blanco, de 5 polos) del panel angular del 3D i-see Sensor ③ desde el lateral de la caja eléctrica de la unidad, y conéctelos al conector del cuadro del controlador.
- Fije las partes sobrantes de los cables conductores con la abrazadera en la caja eléctrica, comprobando que queden bien tensados.
- Vuelva a colocar la cubierta en la caja eléctrica con 2 tornillos.

Nota:

- Compruebe que los cables no queden atrapados en la cubierta de la caja eléctrica.
- Se seguirá el procedimiento inverso al descrito en la sección "6.2. Preparación para conectar la rejilla" para instalar el panel angular del 3D i-see Sensor.
- El panel angular del 3D i-see Sensor debería fijarse en la rejilla ① con el tornillo ③.

6.5.2. Posición ① (Fig. 6-12)

- Tome los cables conductores CN4Z (blanco, de 4 polos) y CN5Y (blanco, de 5 polos) del panel angular del 3D i-see Sensor ③ desde el lateral de la caja eléctrica de la unidad, y conéctelos al conector del cuadro del controlador.
- Pase los cables conductores a través de los ganchos de la boca de la campana y fije las partes sobrantes de dichos cables con la abrazadera en la caja eléctrica, comprobando que queden bien tensados.
- Vuelva a colocar la cubierta en la caja eléctrica con 3 tornillos.

Nota:

- Compruebe que los cables no queden atrapados en la cubierta de la caja eléctrica.
- * Se seguirá el procedimiento inverso al descrito en la sección "6.2. Preparación para conectar la rejilla" para instalar el panel angular del 3D i-see Sensor.
- El panel angular del 3D i-see Sensor debería fijarse en la rejilla ① con el tornillo ③.

[Fig. 6-10] [Fig. 6-11] [Fig. 6-12]

- ① Cuadro del controlador CN4Z
- ② Cuadro del controlador CN5Y
- ③ Cable conductor del panel angular del 3D i-See Sensor
- ④ Abrazadera de la caja eléctrica
- ⑤ Orificio de la rejilla (para pasar el cable conductor).
- ⑥ Tornillo ③
- ⑦ Panel angular del 3D i-see Sensor
- ⑧ Pasador de la boca de la campana

6. Instalación de la rejilla

Ajuste del 3D i-see Sensor y ajuste de la altura del techo cuando se cambia la posición del panel angular del 3D i-see Sensor

Ajuste los interruptores (SW3-3, 3-4, 3-9 y 3-10) en el cuadro de control de cada unidad interior, de acuerdo con la siguiente tabla.

Modo	Configuración	SW3-3	SW3-4	Configuración inicial	Comprobación*	Observaciones
Posición del 3D i-see Sensor	Posición ①	OFF	OFF			Esquina con las marcas de identificación de la salida de aire □/□□□□
	Posición ②	ON	OFF			Esquina con las marcas de identificación de la salida de aire □/□□
	Estándar	OFF	ON	○		Esquina con las marcas de identificación de la salida de aire □□/□□□

Modo	Configuración	SW3-9	SW3-10	Configuración inicial	Comprobación*	Observaciones
Ajuste de altura del techo para el 3D i-see Sensor	Techo bajo	OFF	OFF			Altura del techo: menos de 2,7 m, 8,9 pies
	Estándar	ON	OFF	○		Altura del techo: 2,7 – 3,5 m, 8,9 – 11,5 pies
	Techo alto	OFF	ON			Altura del techo: 3,5 m, 11,5 pies o más

* Siempre que se utilice la selección de funciones para cambiar las funciones de la unidad interior después de la instalación, registre siempre todos los ajustes colocando una "○" o similar en la columna "Check" (Comprobación) de las tablas anteriores.

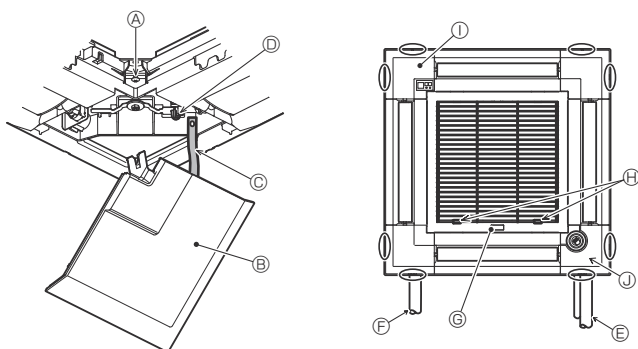


Fig. 6-13

6.6. Instalar la rejilla de admisión (Fig. 6-13)

Nota:

Cuando vuelva a instalar los paneles angulares (con un cable de seguridad colocado en cada uno), conecte el otro extremo de cada cable de seguridad a la rejilla, tal como se muestra en la ilustración.

Nota:

Si los paneles angulares no están colocados, pueden caerse cuando el equipo esté funcionando.

- Invierta el procedimiento descrito en el apartado "6.2. Preparación para conectar la rejilla" para instalar la rejilla de admisión y el panel angular.
- Puede instalar varias unidades con la rejilla de forma que la posición del logotipo de cada panel angular sea la misma que la del resto de las unidades, independientemente de la orientación de la rejilla de admisión. Alinee el logotipo en el panel según las preferencias del cliente, tal como se muestra en el diagrama de la izquierda. (Puede cambiarse la posición de la rejilla).

- Ⓐ Tornillo
- Ⓑ Panel angular
- Ⓒ Cable de seguridad
- Ⓓ Gancho
- Ⓔ Tuberías de refrigerante de la unidad principal
- Ⓕ Tuberías de drenaje de la unidad principal
- Ⓖ Etiqueta MITSUBISHI ELECTRIC

- Puede instalarse en cualquier posición.
- Ⓗ Posición inicial de las palancas en la rejilla de admisión
- Aunque los clips pueden instalarse en cualquiera de las 4 posiciones, se recomienda la configuración mostrada aquí. (No es necesario retirar la rejilla de admisión cuando realice el mantenimiento en la caja eléctrica de la unidad principal).
- Ⓘ Receptor
- Ⓚ 3D i-see Sensor

7. Prueba de funcionamiento

7.1. Antes de realizar las pruebas

- ▶ Después de la instalación de tubos y cables en las unidades interior y exterior, compruebe que no haya escapes de refrigerante, que no se haya aflojado ni la fuente de alimentación ni el cableado de control, que la polaridad no sea errónea y que no se haya desconectado ninguna fase de la alimentación.
- ▶ Utilice un megaohmímetro de 500 V para comprobar que la resistencia entre los bornes de alimentación y la tierra es como mínimo de 1,0 MΩ.

- ▶ No efectúe esta prueba en los bornes de los cables de control (circuito de bajo voltaje).

⚠ Atención:

No utilice el aire acondicionado si la resistencia de aislamiento es inferior a 1,0 MΩ.

Interfaz del controlador

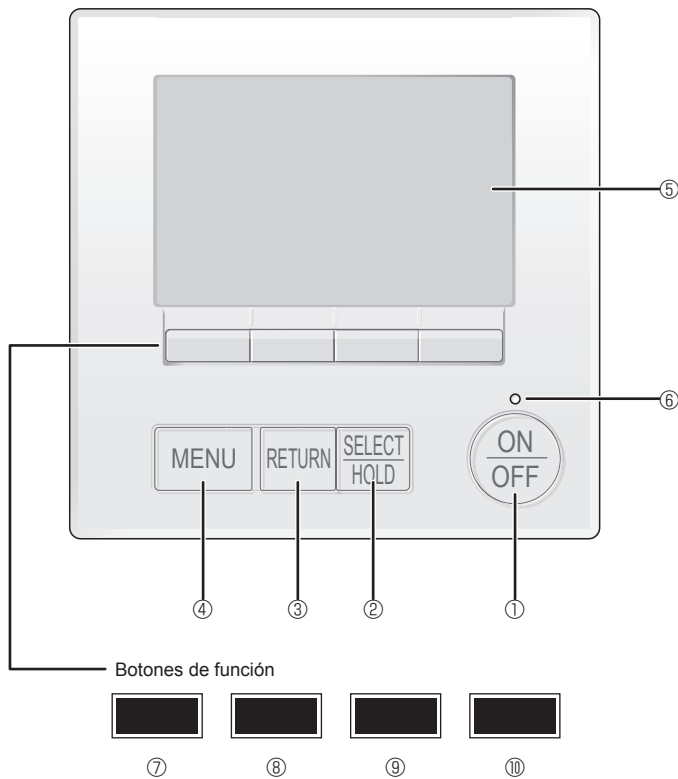


Fig. 7-1

7.2. Prueba de funcionamiento

Están disponibles los siguientes 2 métodos.

7.2.1. Al usar el mando a distancia MA con cable (Fig. 7-1)

① Botón [ON/OFF]

Presione para ENCENDER/APAGAR la unidad interior.

② Botón [SELECT/HOLD]

Presione para guardar la configuración.

Cuando se muestra el menú Principal, al pulsar este botón se activará/desactivará la función HOLD.

③ Botón [RETURN]

Pulse para volver a la pantalla anterior.

④ Botón [MENU]

Presione para ir al Menú principal.

⑤ LCD con iluminación de fondo

Aparecerá la configuración de operaciones.

Cuando la luz de fondo esté apagada, al presionar cualquier botón se ilumina la luz de fondo y permanece encendida durante un periodo de tiempo determinado dependiendo de la pantalla.

Cuando la luz de fondo está apagada, la luz se enciende al presionar cualquier botón, que no realizará su función. (salvo el botón [ON/OFF])

⑥ Lámpara de ENCENDIDO/APAGADO

Esta lámpara se ilumina en verde mientras la unidad esté en funcionamiento. Parpadea cuando se está iniciando el controlador remoto o cuando hay un error.

⑦ Botón de función [F1]

Pantalla principal: Presione para cambiar el modo de operación.

Pantalla de menús: La función del botón depende de la pantalla.

⑧ Botón de función [F2]

Pantalla principal: Presione para disminuir la temperatura.

Menú principal: Púlselo para mover el cursor hacia la izquierda.

Pantalla de menús: La función del botón depende de la pantalla.

⑨ Botón de función [F3]

Pantalla principal: Presione para aumentar la temperatura.

Menú principal: Púlselo para mover el cursor hacia la derecha.

Pantalla de menús: La función del botón depende de la pantalla.

⑩ Botón de función [F4]

Pantalla principal: Presione para cambiar la velocidad del ventilador.

Pantalla de menús: La función del botón depende de la pantalla.

7. Prueba de funcionamiento

Paso 1 Seleccione "Test run" (Modo prueba) desde el controlador remoto.

- ① Seleccione "Service" (Revisión) desde el Menú principal, y pulse el botón [SELECT/HOLD].
- ② Una vez seleccionado el Menú Revisión aparecerá una ventana que pide la contraseña. (Fig. 7-2)
Para introducir la contraseña actual de mantenimiento (4 dígitos numéricos), mueva el cursor hasta el dígito que desea cambiar con el botón [F1] o [F2] y fije cada número (0 a 9) con el botón [F3] o [F4]. A continuación, pulse el botón [SELECT/HOLD].

Nota: La contraseña inicial de mantenimiento es "9999". Cambie la contraseña predeterminada para evitar un posible acceso no autorizado. Tenga la contraseña disponible para aquellos que la necesiten.

Nota: Si se olvida de la contraseña de mantenimiento, puede restablecer la contraseña predeterminada "9999" pulsando y manteniendo pulsados los botones [F1] y [F2] simultáneamente durante tres segundos en la pantalla de ajuste de contraseña de mantenimiento.

- ③ Seleccione "Test run" (Modo prueba) con el botón [F1] o [F2], y pulse el botón [SELECT/HOLD]. (Fig. 7-3)
- ④ Seleccione "Test run" (Modo prueba) con el botón [F1] o [F2], y pulse el botón [SELECT/HOLD]. (Fig. 7-4)

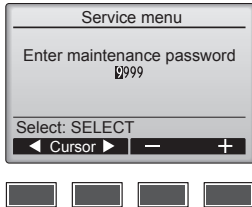


Fig. 7-2

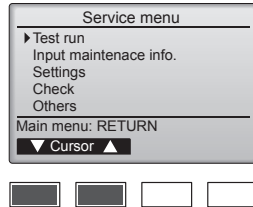


Fig. 7-3

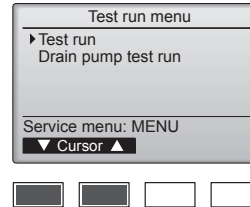


Fig. 7-4

Paso 2 Realice la prueba y compruebe la temperatura del flujo de aire y el sistema automático de desviación del aire.

- ① Pulse el botón [F1] para recorrer los modos de funcionamiento, siguiendo el orden de "Cool" (Frio) y "Heat" (Calor). (Fig. 7-5)
Modo Frío: compruebe si sale aire frío.
Modo Calor: compruebe si sale aire caliente.
Nota:
Compruebe el funcionamiento del ventilador de la unidad exterior.
- ② Pulse el botón [SELECT/HOLD] y abra la pantalla de ajuste de la paleta.

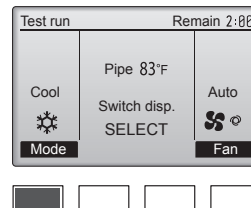


Fig. 7-5

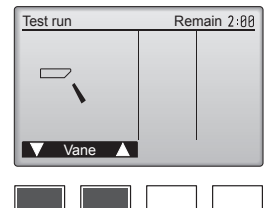


Fig. 7-6

Comprobación de la paleta automática

- ① Compruebe la paleta automática con los botones [F1] [F2]. (Fig. 7-6)
- ② Pulse el botón [RETURN] para volver a "Test run" (Modo prueba).
- ③ Pulse el botón [ON/OFF].

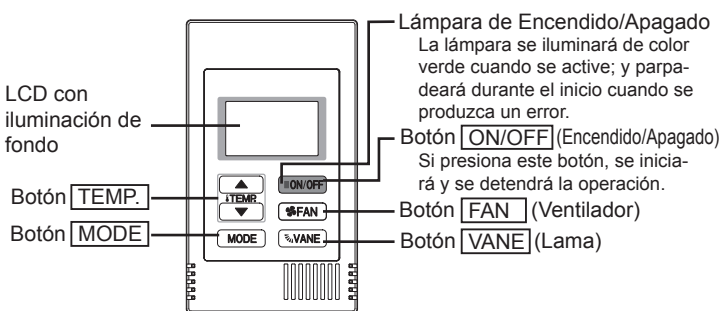


Fig. 7-7

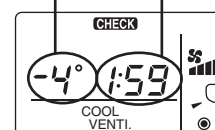
7.2.2. Prueba de funcionamiento

Al usar el controlador remoto MA simple (Fig. 7-7)

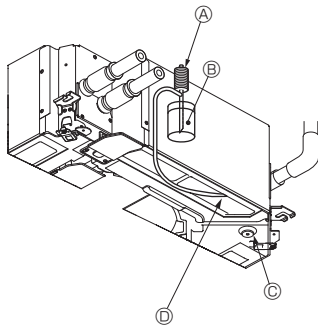
- ① Antes de iniciar una prueba de funcionamiento, consulte la sección "Prueba de funcionamiento" del manual de instalación de la unidad interior.
- ② Cuando pulsa el botón [ON/OFF] y el botón [TEMP. ▲] simultáneamente durante dos segundos o más, se activará el botón de prueba.
- ③ Pare la prueba de funcionamiento pulsando el botón [ON/OFF].
- ④ Si aparece un código de error en el controlador remoto o si el acondicionador de aire no funciona correctamente, consulte el manual de instalación de la unidad exterior u los otros documentos técnicos.

Temperatura de las tuberías de la unidad interior
Rango de visualización: -4°F (-20°C) a 158°F (70°C)
"-4°F" o "158°F" parpadea en la pantalla.

Tiempo de prueba
Se visualiza el tiempo restante de la prueba.
Rango de visualización: 2:00 a 0:01
Después de dos horas, la prueba se detendrá automáticamente.



7. Prueba de funcionamiento



- Ⓐ Bomba de alimentación de agua
- Ⓑ Agua (aprox. 1000cc, 1/4 gal)
- Ⓒ Tapón de drenaje
- Ⓓ Vaciar agua por la salida
 - Tenga cuidado de que no caiga agua en el mecanismo de la bomba de drenaje.

7.3. Comprobación del drenaje (Fig. 7-8)

- Compruebe que el agua se drena correctamente y que no hay fugas en las juntas.

Si el trabajo eléctrico está terminado.

- Vacíe agua durante el funcionamiento de refrigeración y efectúe la comprobación.

Si el trabajo eléctrico no está terminado.

- Vacíe agua durante el funcionamiento de emergencia y efectúe la comprobación.
- El depósito de drenaje y el ventilador se activan simultáneamente al conectar la tensión monofásica 208/230 V en L1 y L2 del bloque de terminales después de conectar (ON) el conector (SWE) del cuadro del controlador que hay en la caja de derivación eléctrica.

Asegúrese de devolverlo a su posición original al finalizar el trabajo.

Fig. 7-8

This product is designed and intended for use in the residential,
commercial and light-industrial environment.

Please be sure to put the contact address/telephone number on
this manual before handing it to the customer.

mitsubishi **ELECTRIC CORPORATION**

HEAD OFFICE: TOKYO BUILDING, 2-7-3, MARUNOUCHI, CHIYODA-KU, TOKYO 100-8310, JAPAN