

SERVICE PARTS LIST FOR MITSUBISHI ELECTRIC PACKAGED AIR-CONDITIONERS

Series : PEFY-P•NMSU-E.TH

REVISED

Sept. 2010

BWE0728A

INDEX

PEFY-P06NMSU-E.TH

PEFY-P08NMSU-E.TH

PEFY-P12NMSU-E.TH

PEFY-P15NMSU-E.TH

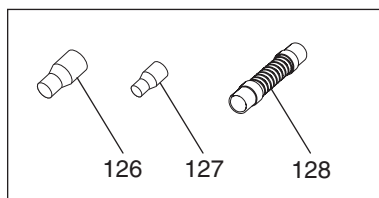
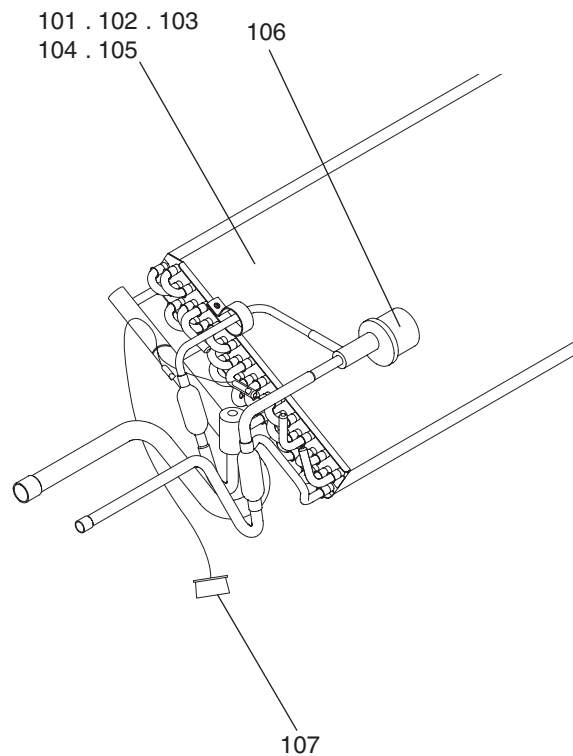
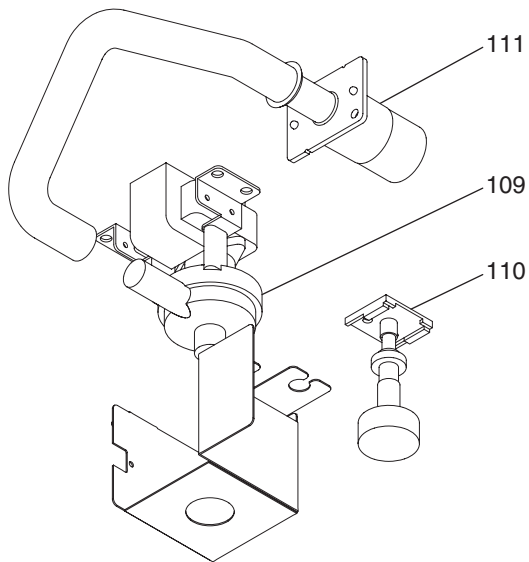
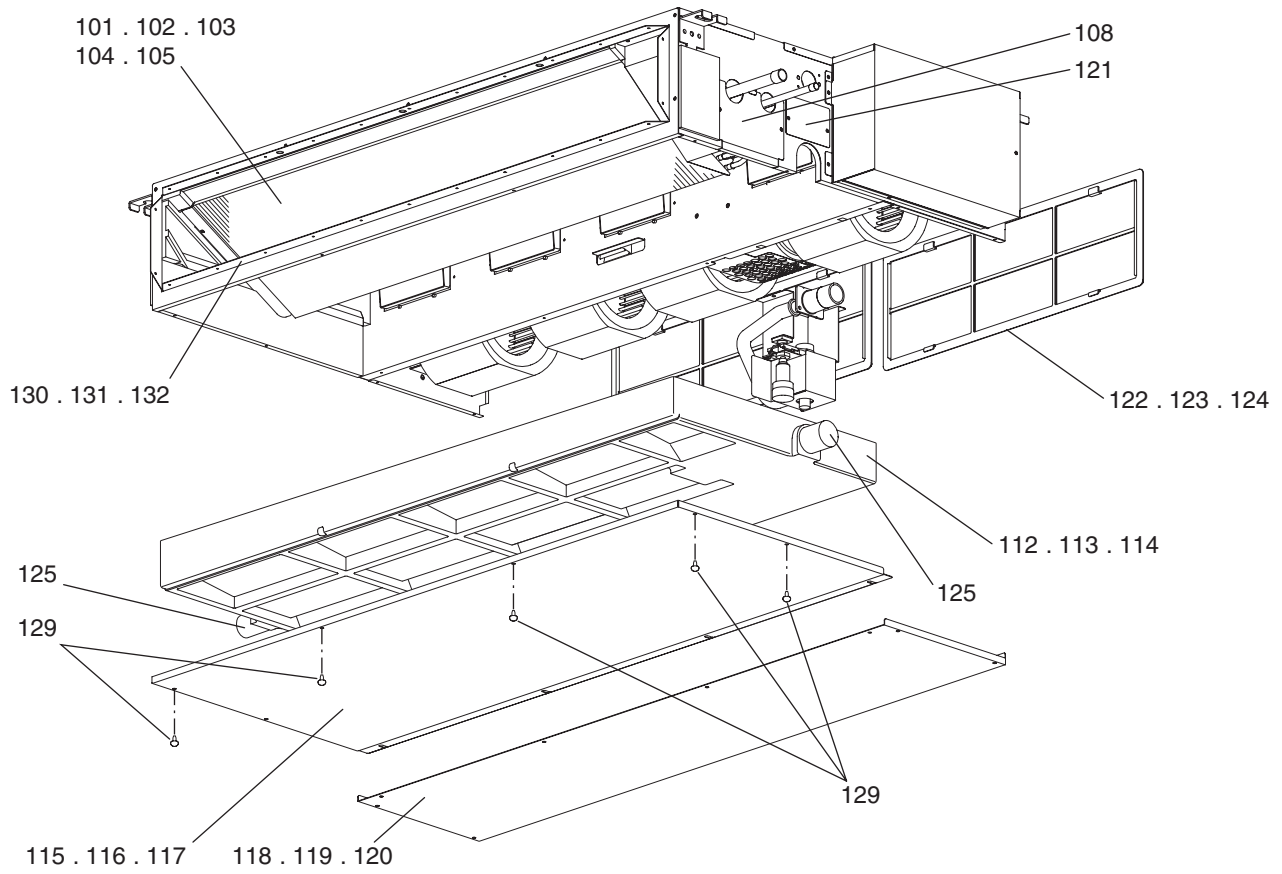
PEFY-P18NMSU-E.TH

PEFY-P24NMSU-E.TH



PEFY-P06,P08NMSU-E.TH
PEFY-P12,P15NMSU-E.TH
PEFY-P18,P24NMSU-E.TH

EXTERNAL PARTS



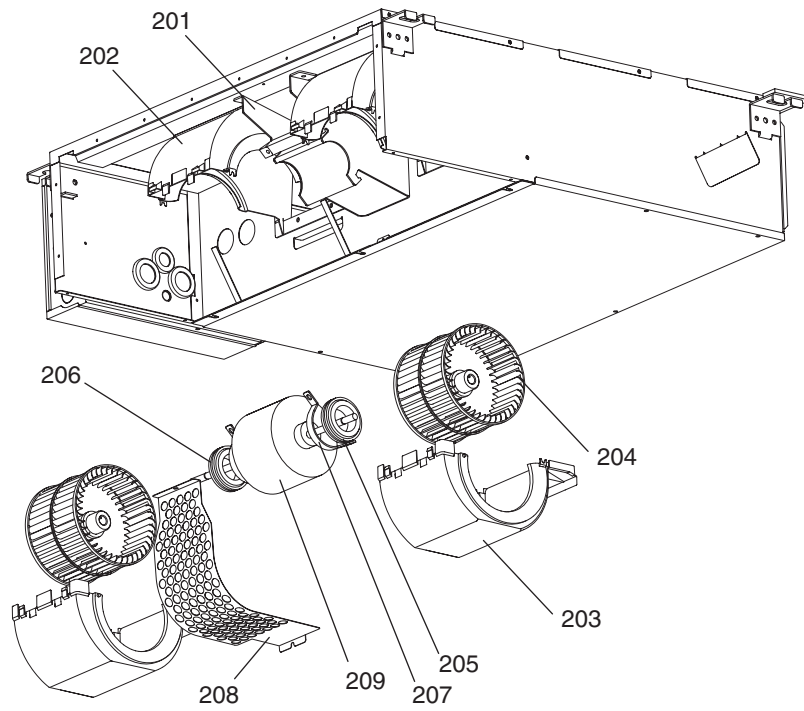
PEFY-P06,P08NMSU-E.TH
PEFY-P12,P15NMSU-E.TH
PEFY-P18,P24NMSU-E.TH

EXTERNAL PARTS

No.	Part No.	G : RoHS Apply Only W : RoHS Apply by Running Change	Part Name	Spec.	PEFY-P06NMSU-E.TH	PEFY-P08NMSU-E.TH	PEFY-P12NMSU-E.TH	PEFY-P15NMSU-E.TH	PEFY-P18NMSU-E.TH	PEFY-P24NMSU-E.TH	Dwg. No.	Notes for the models	Revision info.
101	E17 402 620	G	HEAT EXCHANGER		1						KB00A079B01		
102	E17 403 620	G	HEAT EXCHANGER			1					KB00A082B01		
103	E17 405 620	G	HEAT EXCHANGER				1				KB00A080B01		
104	E17 406 620	G	HEAT EXCHANGER					1	1		KB00A081B01		
105	E17 408 620	G	HEAT EXCHANGER							1	KB00A075B01		
106	E17 409 640	G	LINEAR EXPANSION VALVE	EFM-40YGMD-1	1	1	1	1	1	1	KB50B472H01		
107	E17 319 307	G	THERMISTOR		1	1	1	1	1	1	RG71V202G01		
108	E17 319 690	G	COVER PIPE ASSY		1	1	1	1	1	1	KB00H214G02		
109	E17 409 355	G	PUMP	PLD	1	1	1	1	1	1	KB56B515H02		Chg.
110	E17 409 145	G	FLOAT SWITCH		1	1	1	1	1	1	BH68C952H02		
111	E17 409 704	G	SOCKET ASSY		1	1	1	1	1	1	KB00G754G01		
112	E17 472 700	G	DRAIN PAN S ASSY		1	1	1				KB00G775G16		Chg.
113	E17 475 700	G	DRAIN PAN M ASSY					1	1		KB00G775G17		Chg.
114	E17 477 700	G	DRAIN PAN L ASSY							1	KB00G775G18		Chg.
115	E17 472 717	G	PANEL UNDER 1 S ASSY		1	1	1				KB00G776G10		Chg.
116	E17 475 717	G	PANEL UNDER 1 M ASSY					1	1		KB00G776G11		Chg.
117	E17 477 717	G	PANEL UNDER 1 L ASSY							1	KB00G776G12		Chg.
118	E17 319 718	G	PANEL UNDER 2 S		1	1	1				KB02B455G02		Chg.
119	E17 320 718	G	PANEL UNDER 2 M					1	1		KB02B457G01		
120	E17 326 718	G	PANEL UNDER 2 L							1	KB02A071G02		Chg.
121	E17 409 690	G	COVER ASSY		1	1	1	1	1	1	KB00H222G03		Chg.
122	E17 319 100	G	FILTER 15		1	1	1				KB35B272G02		
123	E17 320 100	G	FILTER 40					1	1		KB35B207G02		
124	E17 326 100	G	FILTER 63							2	KB35B208G02		
125	E17 414 524	G	PLUG	RUBBER	2	2	2	2	2	2	KB26H049H01		
126	E17 407 204	G	REDUCER	12.7-15.88					1		KB14H395G02		
127	E17 414 204	G	REDUCER	6.35-9.52					1		KB14H390G02		
128	E17 319 702	G	DRAIN HOSE		1	1	1	1	1	1	KB27T150H01		Chg.
129	E17 319 250	G	SCREW ASSY		4	4	4	5	5	5	KB12H389G01		
130	E17 528 800	G	PANEL DUCT S ASSY		1	1	1				KB00G751G07		Add.
131	E17 529 800	G	PANEL DUCT M ASSY					1	1		KB00G751G08		Add.
132	E17 531 800	G	PANEL DUCT L ASSY							1	KB00G751G09		Add.

PEFY-P06NMSU-E.TH
PEFY-P08NMSU-E.TH
PEFY-P12NMSU-E.TH

BLOWER PARTS (1)



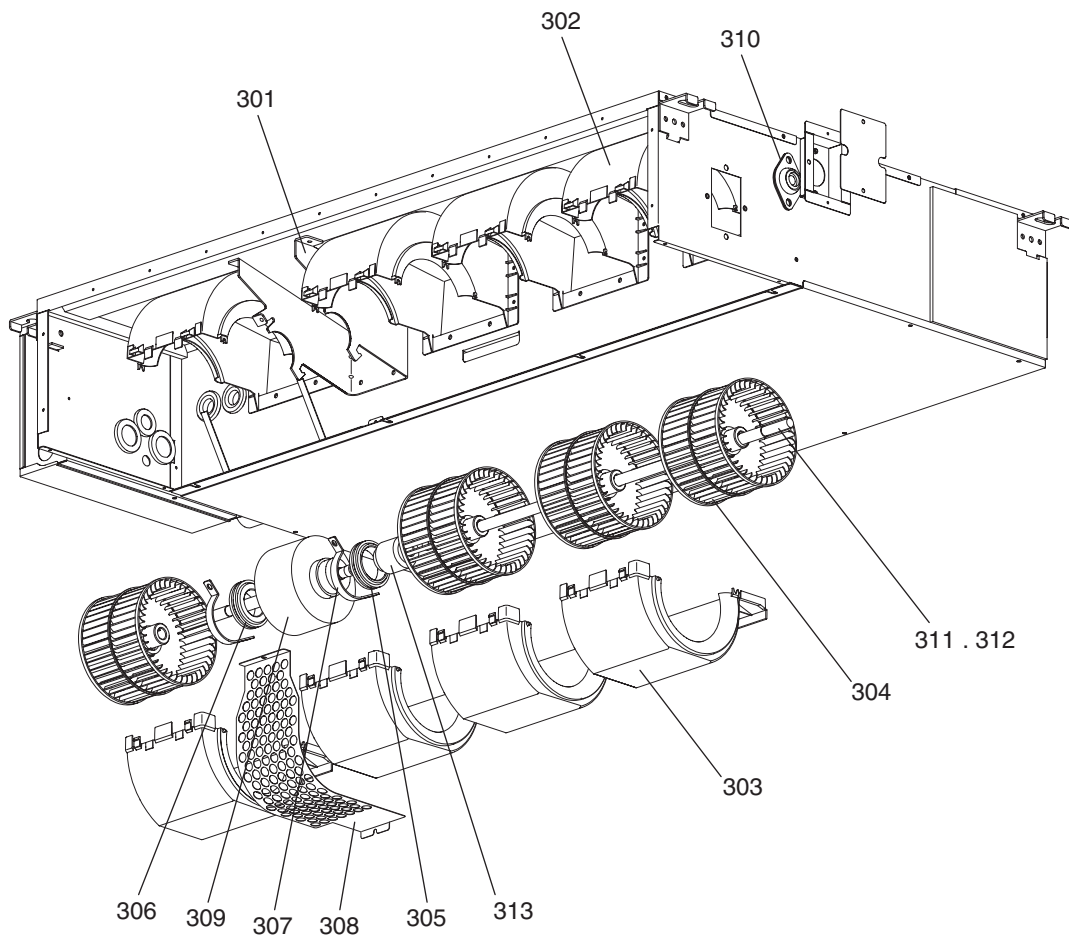
PEFY-P06NMSU-E.TH
PEFY-P08NMSU-E.TH
PEFY-P12NMSU-E.TH

BLOWER PARTS (1)

No.	Part No.	G : RoHS Apply Only W : RoHS Apply by Running Change		Spec.	PEFY-P06NMSU-E.TH	PEFY-P08NMSU-E.TH	PEFY-P12NMSU-E.TH		Dwg. No.	Notes for the models	Revision info.
			Part Name								
201	E17 319 128	G	MOTOR BASE		1	1	1		KB02B464G02		
202	E17 319 129	G	FAN CASE A ASSY		2	2	2		KB00G773G03		
203	E17 320 129	G	FAN CASE B ASSY		2	2	2		KB00G774G03		
204	E17 319 500	G	SIROCCO FAN ASSY		2	2	2		KB00H341G01		
205	E17 319 505	G	RUBBER MOUNT L		1	1	1		KB31D833H03		
206	E17 320 505	G	RUBBER MOUNT R		1	1	1		KB31D833H04		
207	KB02H047G02	G	ATTACHMENT		2	2	2		KB02H047G02		
208	E17 319 513	G	MOTOR COVER ASSY		1	1	1		KB00H600G02		
209	E17 319 300	G	MOTOR		1	1	1		KB61B503H02		Chg.

PEFY-P15NMSU-E.TH
PEFY-P18NMSU-E.TH
PEFY-P24NMSU-E.TH

BLOWER PARTS (2)



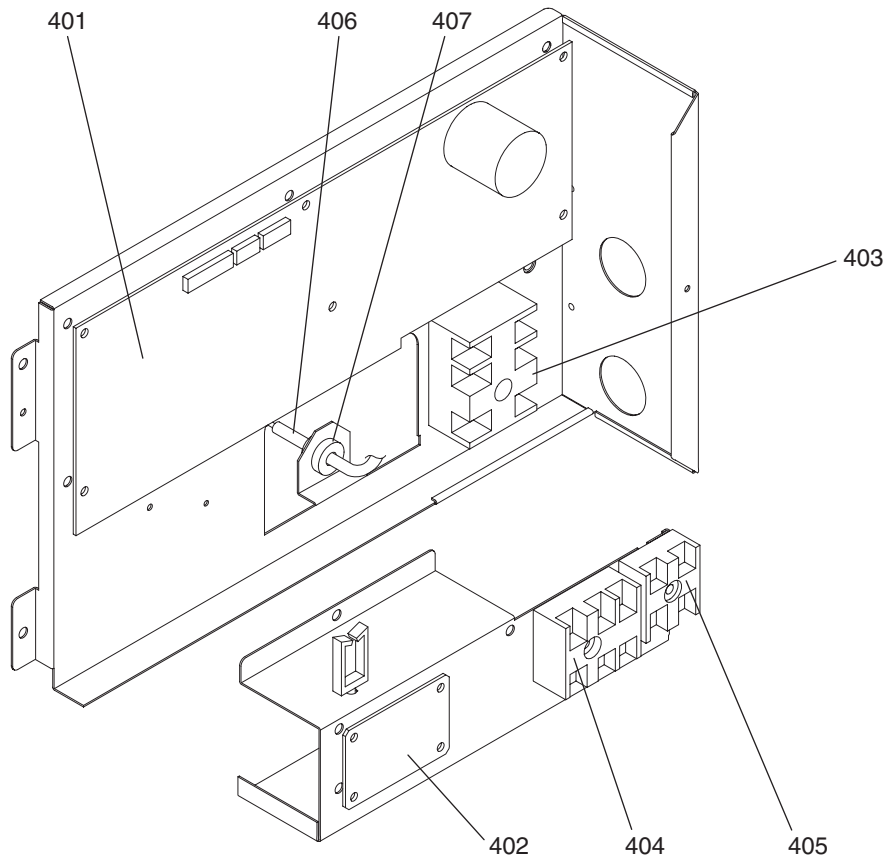
PEFY-P15NMSU-E.TH
 PEFY-P18NMSU-E.TH
 PEFY-P24NMSU-E.TH

BLOWER PARTS (2)

No.	Part No.	G : RoHS Apply Only W : RoHS Apply by Running Change		Spec.	PEFY-P15NMSU-E.TH	PEFY-P18NMSU-E.TH	PEFY-P24NMSU-E.TH				Dwg. No.	Notes for the models	Revision info.
			Part Name										
301	E17 319 128	G	MOTOR BASE		1	1	1				KB02B464G02		
302	E17 319 129	G	FAN CASE A ASSY		3	3	4				KB00G773G03		
303	E17 320 129	G	FAN CASE B ASSY		3	3	4				KB00G774G03		
304	E17 319 500	G	SIROCCO FAN ASSY		3	3	4				KB00H341G01		
305	E17 319 505	G	RUBBER MOUNT L		1	1	1				KB31D833H03		
306	E17 320 505	G	RUBBER MOUNT R		1	1	1				KB31D833H04		
307	KB02H047G02	G	ATTACHMENT		2	2	2				KB02H047G02		
308	E17 319 513	G	MOTOR COVER ASSY		1	1	1				KB00H600G02		
309	E17 321 300	G	MOTOR		1	1	1				KB61B504H02		Chg.
310	E17 321 509	G	BEARING		1	1	1				KB58C793G01		
311	E17 321 499	G	SHAFT 3FAN		1	1					KB10B485H03		Chg.
312	E17 326 499	G	SHAFT 4FAN				1				KB10B486H03		Chg.
313	E17 321 518	G	FAN JOINT ASSY		1	1	1				KB00R475G01		Chg.

PEFY-P06,P08NMSU-E.TH
PEFY-P12,P15NMSU-E.TH
PEFY-P18,P24NMSU-E.TH

CONTROL BOX PARTS



PEFY-P06,P08NMSU-E.TH
 PEFY-P12,P15NMSU-E.TH
 PEFY-P18,P24NMSU-E.TH

CONTROL BOX PARTS

No.	Part No.	G : RoHS Apply Only W : RoHS Apply by Running Change	Part Name	Spec.	RoHS Models						Dwg. No.	Notes for the models	Revision info.
					PEFY-P06NMSU-E.TH	PEFY-P08NMSU-E.TH	PEFY-P12NMSU-E.TH	PEFY-P15NMSU-E.TH	PEFY-P18NMSU-E.TH	PEFY-P24NMSU-E.TH			
401	E17 472 447	G	PRINTED CIRCUIT ASSEMBLY	INDOOR	1	1	1	1	1	1	KE01D280B03		
402	E17 472 456	G	PRINTED CIRCUIT ASSEMBLY	ADDRESS BOARD	1	1	1	1	1	1	KE01D281B02		
403	E17 323 375	G	TERMINAL BLOCK ASSY		1	1	1	1	1	1	BG73N186L09		
404	E17 154 375	G	TERMINAL BLOCK ASSY		1	1	1	1	1	1	BH00C267G04		
405	E17 156 375	G	TERMINAL BLOCK ASSY		1	1	1	1	1	1	BG00R200G62		
406	E17 319 308	G	THERMISTOR S	250XAP	1	1	1	1	1	1	RG71J628H01		
407	E17 319 013	G	BUSH	SRB-R-2	1	1	1	1	1	1	KB32K138H01		

