

Job Name:

Schedule Reference:

Date:



GENERAL FEATURES

- Dual set point functionality (*1)
- Compact floor-mount
- Two-speed settings
- Controls can be wall-mounted or unit-mounted in a hidden case
- IT Terminal Plug

OPTIONS

- External Heater Adapter..... PAC-YU25HT

Note:

Ventilation air to be introduced independent of indoor units.
Please refer to local codes for the required ventilation rates specific to the application.

*1 – All components of the system must be compatible. For more details on system compatibility, please refer to Technical Bulletin 100-151 available on our website.

Notes:

SPECIFICATIONS

Capacity*

Cooling12,000 Btu/h
Heating13,500 Btu/h

Power

Power Source208 / 230V, 1 phase, 60Hz

Power Consumption

Cooling (208/230V) 0.055 / 0.067 kW
Heating (208/230V) 0.055 / 0.067 kW

Current

Cooling (208/230V)0.27 / 0.30A
Heating (208/230V) 0.27 / 0.30A
Minimum Circuit Ampacity (MCA) (208/230V)0.34 / 0.38 A
Maximum Overcurrent Protection (MOCP)15 A

External Finish Galvanized sheet metal

Dimensions

Inches25-3/16 h x 39-5/8 w x 8-11/16 d
mm639 h x 1006 w x 220 d

Net Weight45 lb / 20 kg

Fan

Type x QuantitySirocco fan x 2
Airflow Rate (Low - High) 247 - 317 CFM
Motor Type Single phase induction motor

External Static Pressure.....0"WG

Air FilterStandard

Refrigerant Pipe Dimensions (R410A)

Liquid1/4" / 6.35 mm flare
Gas1/2" / 12.7 mm flare

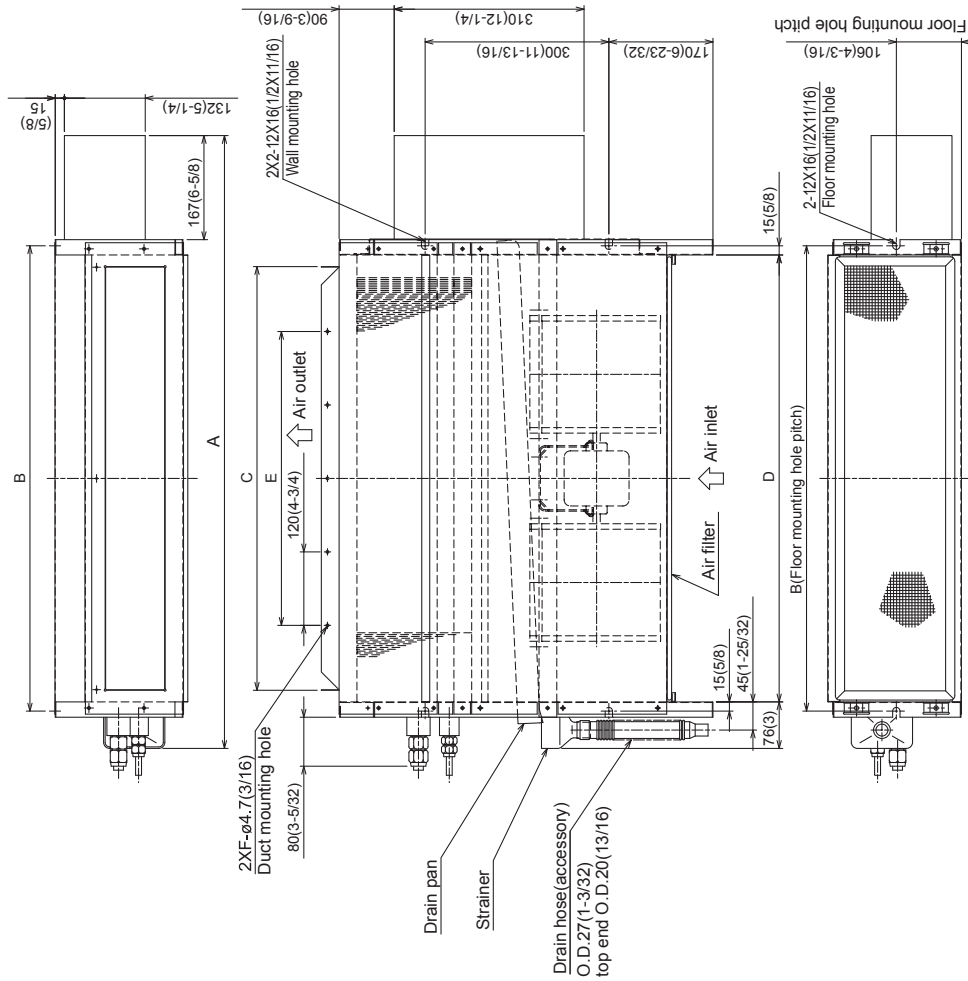
Drainpipe DimensionO.D. 1-3/32" / 27 mm

Sound Level (Low - High)37 - 41 dB (A)

* Cooling / Heating capacity indicated at the maximum value at operation under the following conditions:

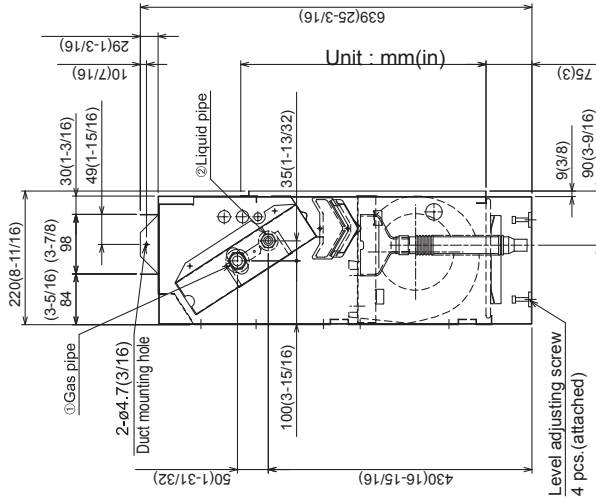
Cooling | Indoor: 80° F (27° C) DB / 67° F (19° C) WB, Outdoor 95° F (35° C) DB
Heating | Indoor: 70° F (21° C) DB, Outdoor 47° F (8° C) DB / 43° F (6° C) WB

Model: PFFY-P12NRMU-E – DIMENSIONS

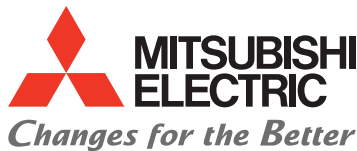


Unit : mm (in)

Note: On Model :18, you would use flare nut when connecting the Outdoor Unit for R22.



Model	A	B	C	D	E	F	① Gas pipe <flare>	② Liquid pipe <flare>
PFFY-P06NRMU-E	886(34-15/16)	640(25-7/32)	572(22-9/16)	610(24-1/16)	360(14-3/16)	4	ø12.7(1/2)	ø6.35(1/4)
PFFY-P08NRMU-E	886(34-15/16)	640(25-7/32)	572(22-9/16)	610(24-1/16)	360(14-3/16)	4	ø12.7(1/2)	ø6.35(1/4)
PFFY-P12NRMU-E	1006(39-5/8)	760(29-15/16)	692(27-1/4)	730(28-3/4)	480(18-15/16)	5	ø12.7(1/2)	ø6.35(1/4)
PFFY-P15NRMU-E	1006(39-5/8)	760(29-15/16)	692(27-1/4)	730(28-3/4)	480(18-15/16)	5	ø12.7(1/2)	ø6.35(1/4)
PFFY-P18NRMU-E	1246(49-1/16)	1000(39-3/8)	932(36-3/4)	970(38-1/4)	720(28-3/8)	7	ø12.7(1/2)	ø6.35(1/4)
PFFY-P24NRMU-E	1246(49-1/16)	1000(39-3/8)	932(36-3/4)	970(38-1/4)	720(28-3/8)	7	ø15.88(5/8)	ø9.52(3/8)



for a greener tomorrow

