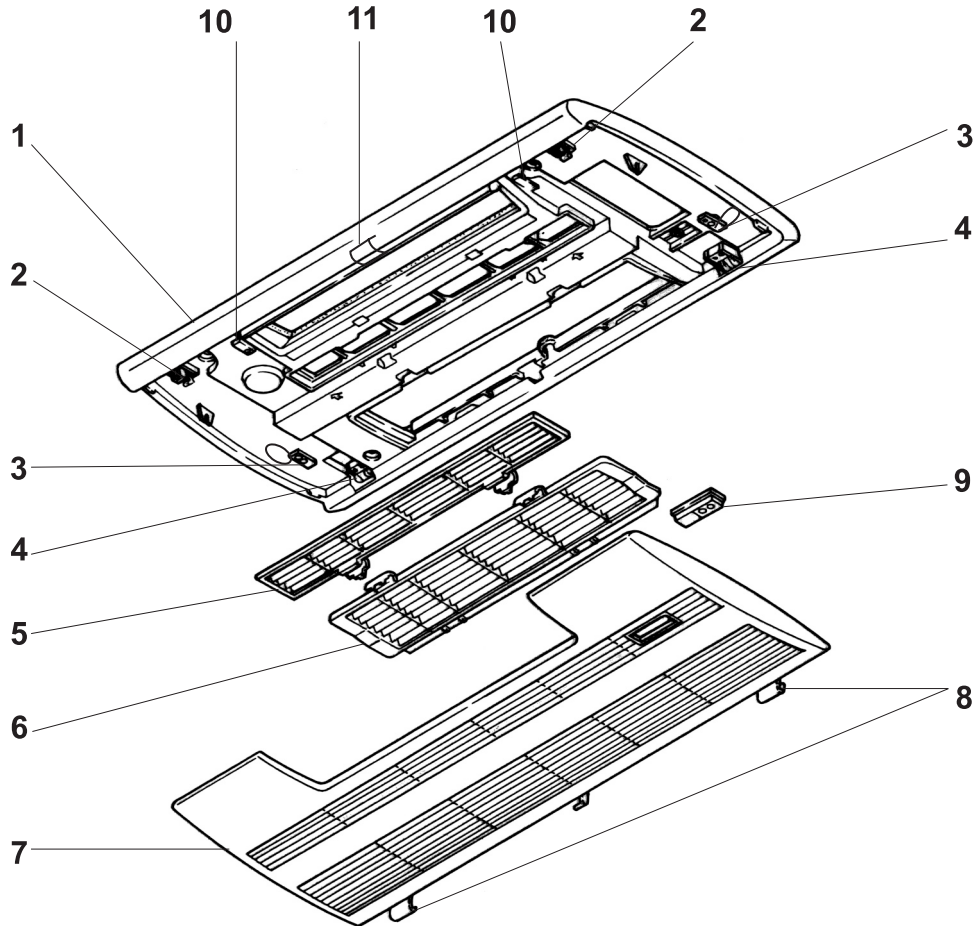


PANEL PARTS

PMP-16BMU (FOR PMFY-P06/08/12/15NBMU-E • PMFY-P06/08/12/15NBMU-E₁)

PMP-16BMUW (FOR PMFY-P06/08/12/15NBMU-E#2 • PMFY-P06/08/12/15NBMU-ER3 • PMFY-P06/08/12/15NBMU-ER4 • PMFY-P06/08/12/15NBMU-ER5)

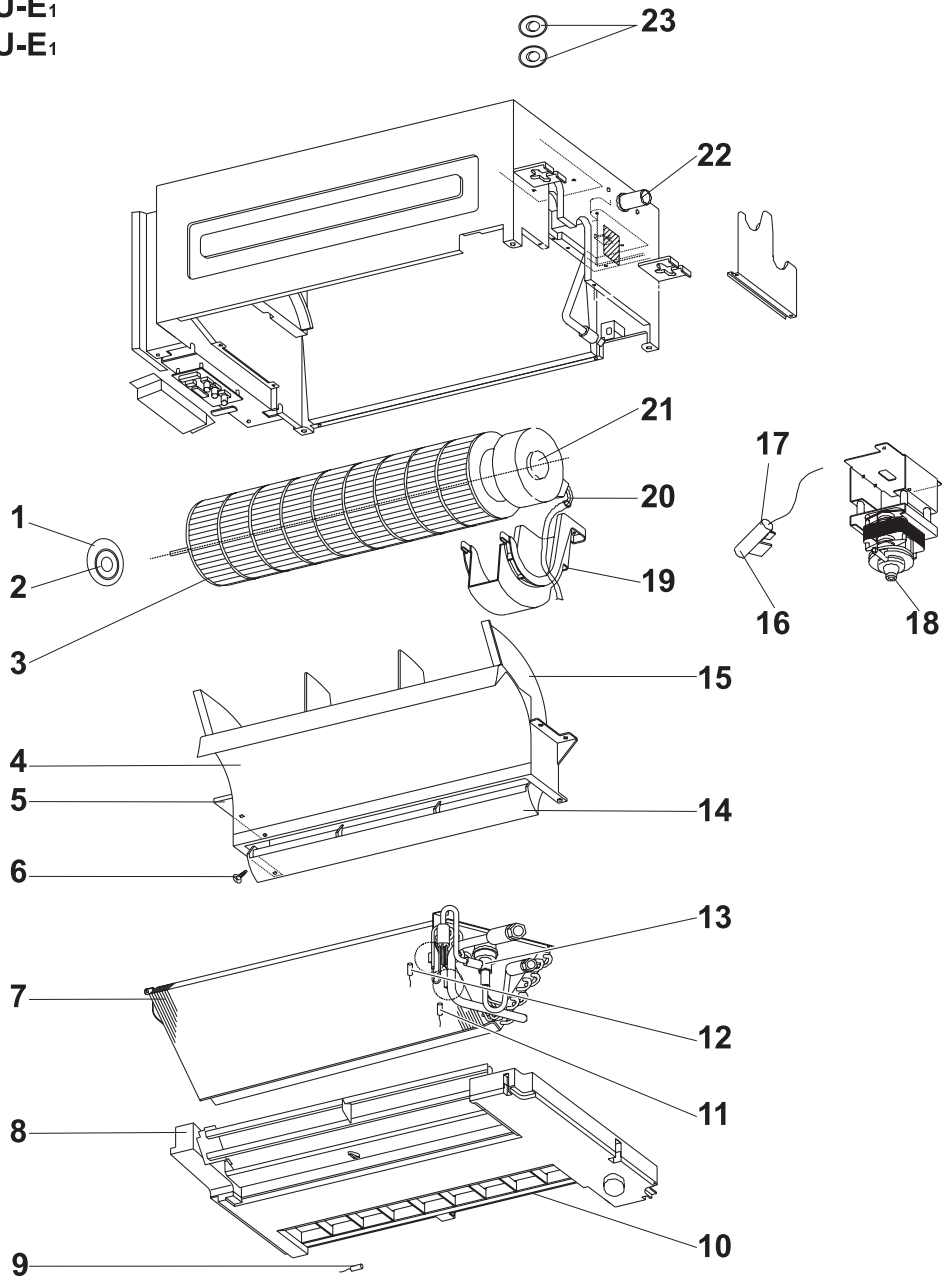


No.	RoHS	Part No.	Part Name	Specification	Q'ty/set		Remarks (Drawing No.)	Wiring Diagram Symbol	Recom- mended Q'ty
					PMP-16				
					BMU	BMUW			
1	G	T7W E16 003	AIR OUTLET GRILLE		1				
	G	T7W E22 003	AIR OUTLET GRILLE			1			
2	G	R01 E01 055	LATCH		2	2			
3	G	R01 E01 099	PANEL HOOK		2	2			
4	G	R01 E07 054	GRILLE CATCH		2	2			
5	G	R01 E14 500	L.L.FILTER		1	1			
6	G	R01 E15 500	L.L.FILTER		1	1			
7	G	T7W E04 691	INTAKE GRILLE		1				
	G	T7W E06 691	INTAKE GRILLE			1			
8	G	R01 E06 054	GRILLE SHAFT		2	2			
9	G	R01 E01 648	RECEIVER COVER		1	1			
10	G	R01 E01 044	MAGNET		2	2			
11	G	R01 E04 096	SCREW CAP		1				
	G	R01 E07 096	SCREW CAP			1			

RoHS PARTS LIST

FUNCTIONAL PARTS

PMFY-P06NBMU-E
PMFY-P08NBMU-E
PMFY-P12NBMU-E
PMFY-P15NBMU-E
PMFY-P06NBMU-E₁
PMFY-P08NBMU-E₁
PMFY-P12NBMU-E₁
PMFY-P15NBMU-E₁



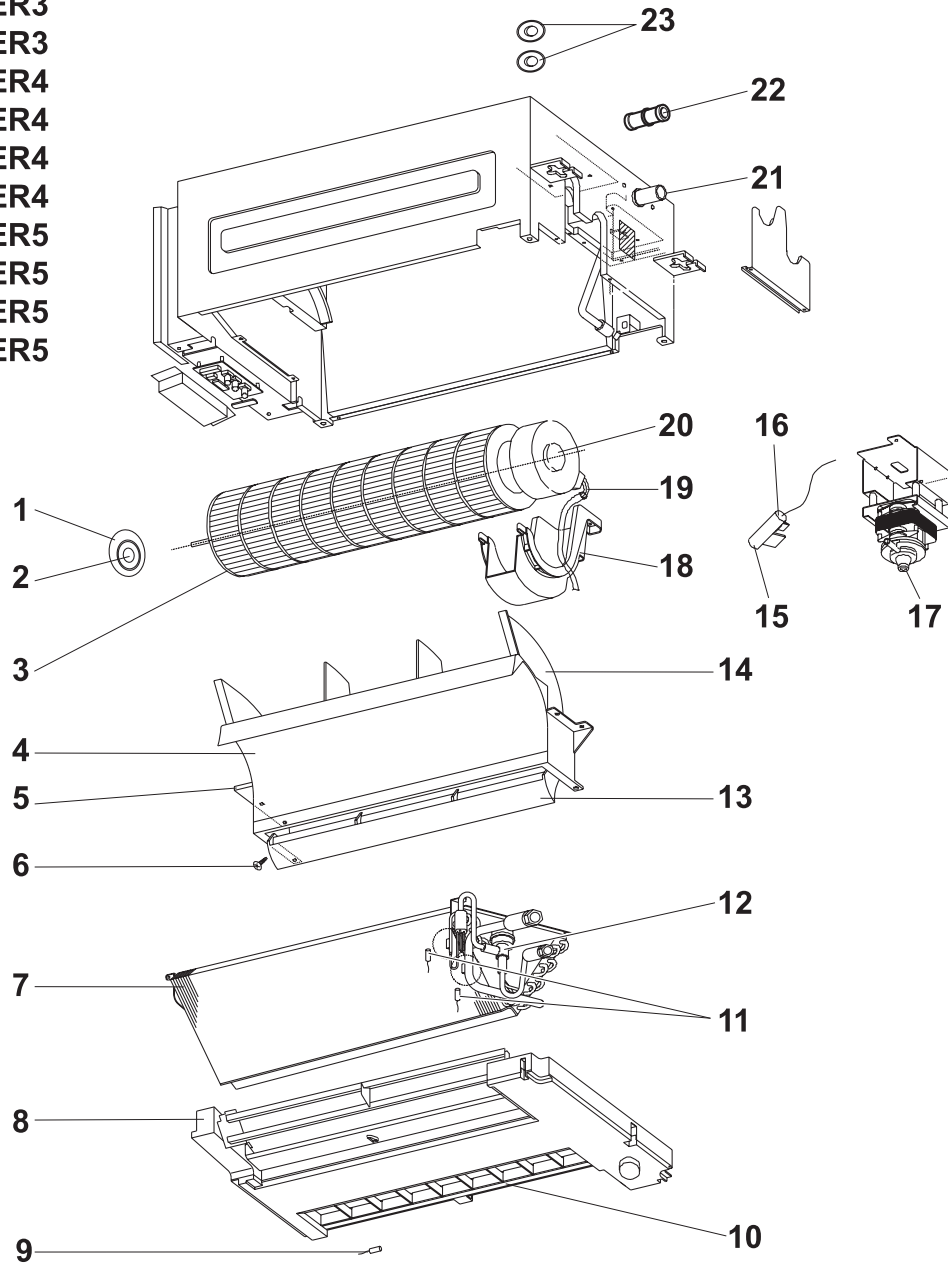
RoHS PARTS LIST

Part number that is circled is not shown in the figure.

No.	ROHS	Part No.		Part Name	Specification	Q'ty/Set				Remarks (Drawing No.)	Wiring Diagram Symbol	Recom- mended Q'ty
						PMFY-						
						P-NBMU-E		P-NBMU-E ₁				
06/08	12/15	06/08	12/15									
1	G	R01	23A 102	BEARING MOUNT		1	1	1	1			
2	G	R01	E04 103	SLEEVE BEARING		1	1	1	1			
3	G	R01	E 32 114	LINE FLOWFAN		1	1	1	1			
4	G	R01	E01 079	STABILIZER ASSY		1	1	1	1			
5	G	R01	E18 223	VANE MOTOR		1	1	1	1		MV	
6	G	R01	E02 092	VANE SLEEVE		1	1	1	1			
7	G	T7W	H08 480	HEAT EXCHANGER		1		1				
	G	T7W	H09 480	HEAT EXCHANGER			1		1			
8	G	R01	E 30 529	DRAIN PAN ASSY		1	1	1	1			
9	G	R01	H12 202	THERMISTOR	ROOM	1	1	1	1		TH21	
10	G	R01	E03 038	GUIDE VANE		1	1	1	1	8pcs/set		
11	G	R01	H16 202	THERMISTOR	LIQUID	1	1	1	1		TH22	
12	G	R01	H17 202	THERMISTOR	GAS	1	1	1	1		TH23	
13	G	R01	H06 401	EXPANSION VALVE		1	1	1	1		LEV	
14	G	R01	E16 002	VANE		1	1	1	1			
15	G	R01	E05 110	CASING ASSY		1	1	1	1			
16	G	R01	32K 241	SENSOR HOLDER		1	1	1	1			
17	G	R01	E 11 266	DRAIN SENSOR		1	1	1	1		DS	
18	G	T7W	E 11 355	DRAIN PUMP		1	1	1	1		DP	
19	G	R01	E 35 130	MOTOR SUPPORT		1	1	1	1			
20	G	R01	E 24 220	FAN MOTOR		1	1				MF	
	G	R01	E 45 220	FAN MOTOR				1	1		MF	
21	G	R01	E13 105	MOTOR MOUNT		1	1	1	1			
22	G	R01	E05 527	DRAIN PIPE ASSY		1	1	1	1			
23	G	R01	E03 673	SCREW & WASHER		1	1	1	1	set		

RoHS PARTS LIST

FUNCTIONAL PARTS
 PMFY-P06NBMU-E#2
 PMFY-P08NBMU-E#2
 PMFY-P12NBMU-E#2
 PMFY-P15NBMU-E#2
 PMFY-P06NBMU-ER3
 PMFY-P08NBMU-ER3
 PMFY-P12NBMU-ER3
 PMFY-P15NBMU-ER3
 PMFY-P06NBMU-ER4
 PMFY-P08NBMU-ER4
 PMFY-P12NBMU-ER4
 PMFY-P15NBMU-ER4
 PMFY-P06NBMU-ER5
 PMFY-P08NBMU-ER5
 PMFY-P12NBMU-ER5
 PMFY-P15NBMU-ER5



RoHS PARTS LIST

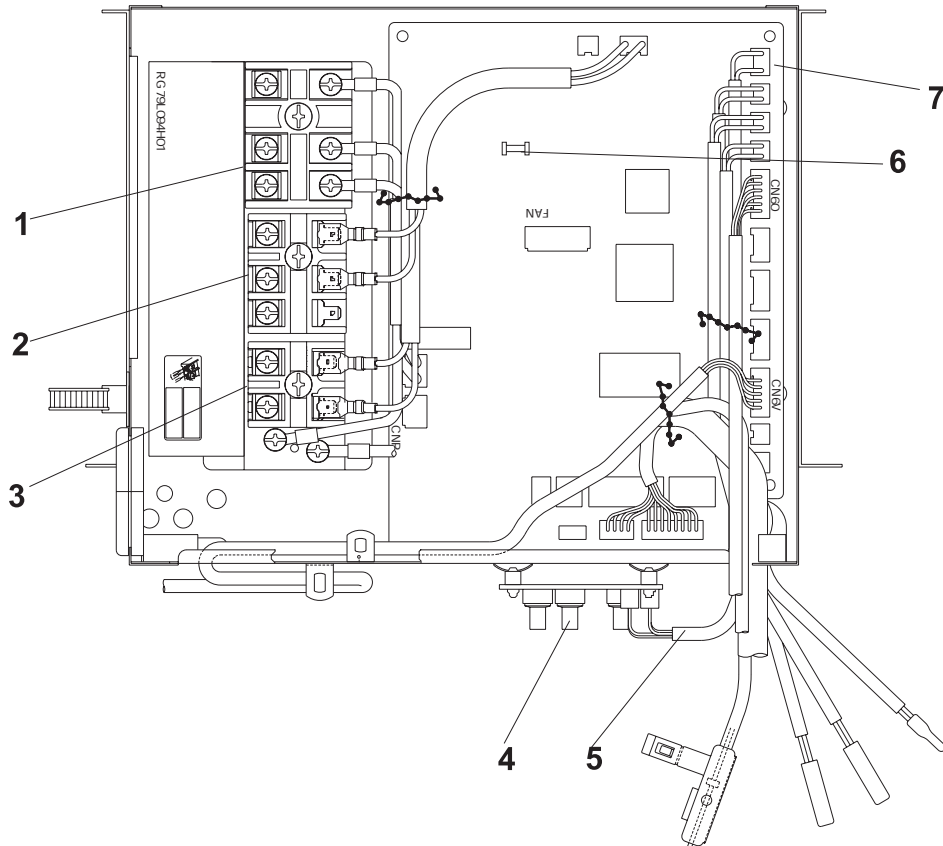
Part number that is circled is not shown in the figure.

No.	RoHS	Part No.	Part Name	Specification	Q'ty/set				Remarks (Drawing No.)	Wiring Diagram Symbol	Recom- mended Q'ty
					PMFY-P						
					NBMU-E#2 NBMU-ER3		NBMU-ER4 NBMU-ER5				
					06/08	12/15	06/08	12/15			
1	G	R01 23A 102	BEARING MOUNT		1	1	1	1			
2	G	R01 E04 103	SLEEVING BEARING		1	1	1	1			
3	G	R01 E32 114	LINE FLOW FAN		1	1	1	1			
4	G	R01 E01 079	STABILIZER ASSY		1	1	1	1			
5	G	R01 E18 223	VANE MOTOR		1	1	1	1		MV	
6	G	R01 E02 092	VANE SLEEVE		1	1	1	1			
7	G	T7W H92 480	HEAT EXCHANGER		1		1				
	G	T7W H93 480	HEAT EXCHANGER			1		1			
8	G	R01 E30 529	DRAIN PAN ASSY		1	1	1	1			
9	G	R01 H12 202	THERMISTOR	ROOM	1	1	1	1		TH21	
10	G	R01 E03 038	GUIDE VANE		1	1	1	1	8pcs/set		
11	G	R01 N15 202	THERMISTOR	LIQUID/GAS	1	1	1	1		TH22,23	
12	G	R01 H06 401	EXPANSION VALVE		1	1	1	1		LEV	
13	G	R01 E16 002	VANE		1	1	1	1			
14	G	R01 E05 110	CASING ASSY		1	1	1	1			
15	G	R01 32K 241	SENSOR HOLDER		1	1	1	1			
16	G	R01 E11 266	DRAIN SENSOR		1	1	1	1		DS	
17	G	T7W E11 355	DRAIN PUMP		1	1	1	1		DP	
18	G	R01 E35 130	MOTOR SUPPORT		1	1	1	1			
19	G	R01 E49 220	FAN MOTOR		1	1	1	1		MF	
20	G	R01 E13 105	MOTOR MOUNT		1	1	1	1	L/R set		
21	G	R01 E05 527	DRAIN PIPE ASSY		1	1					
	G	R01 E10 527	DRAIN PIPE ASSY				1	1			
22	G	R01 18J 523	JOINT SOCKET				1	1			
23	G	R01 E03 673	SCREW & WASHER		1	1	1	1	set		

RoHS PARTS LIST

ELECTRICAL PARTS

PMFY-P06NBMU-E	PMFY-P08NBMU-E	PMFY-P12NBMU-E	PMFY-P15NBMU-E
PMFY-P06NBMU-E ₁	PMFY-P08NBMU-E ₁	PMFY-P12NBMU-E ₁	PMFY-P15NBMU-E ₁
PMFY-P06NBMU-E#2	PMFY-P08NBMU-E#2	PMFY-P12NBMU-E#2	PMFY-P15NBMU-E#2
PMFY-P06NBMU-ER3	PMFY-P08NBMU-ER3	PMFY-P12NBMU-ER3	PMFY-P15NBMU-ER3
PMFY-P06NBMU-ER4	PMFY-P08NBMU-ER4	PMFY-P12NBMU-ER4	PMFY-P15NBMU-ER4
PMFY-P06NBMU-ER5	PMFY-P08NBMU-ER5	PMFY-P12NBMU-ER5	PMFY-P15NBMU-ER5



No.	RoHS	Part No.	Part No.	Specification	Q'ty/set						Remarks (Drawing No.)	Wiring Diagram Symbol	Recommended Q'ty
					PMFY-P06/08/12/15								
					NBMU-E	NBMU-E ₁	NBMU-E#2	NBMU-ER3	NBMU-ER4	NBMU-ER5			
1	G	T7W E41 716	TERMINAL BLOCK	3P (L1, L2, GR)	1	1	1	1	1	1		TB2	
2	G	R01 E27 246	TERMINAL BLOCK	3P (M1, M2, S)	1	1	1	1	1	1		TB5	
3	G	R01 E53 246	TERMINAL BLOCK	2P (1, 2)	1	1	1	1	1	1		TB15	
4	G	T7W E01 294	ADDRESS BOARD		1	1	1	1	1	1		A.B	
5	G	R01 E10 304	CABLE ASSY		1	1	1	1	1	1			
6	G	T7W 420 239	FUSE	250V, 6A	1	1						FUSE	
	G	R01 E06 239	FUSE	250V, 6.3A			1	1	1	1		FUSE	
7	G	T7W E59 310	INDOOR CONTROLLER BOARD		1							I.B	
	G	T7W E67 310	INDOOR CONTROLLER BOARD			1						I.B	
	G	T7W E72 310	INDOOR CONTROLLER BOARD				1					I.B	
	G	T7W E85 310	INDOOR CONTROLLER BOARD					1	1			I.B	
	G	T7W C04 310	INDOOR CONTROLLER BOARD							1		I.B	

CITY MULTI™

MITSUBISHI ELECTRIC CORPORATION

HEAD OFFICE : TOKYO BLDG., 2-7-3, MARUNOUCHI, CHIYODA-KU, TOKYO100-8310, JAPAN

©Copyright 2005 MITSUBISHI ELECTRIC CORPORATION

Distributed in Apr. 2012 No. OC341 REVISED EDITION-F

Distributed in Dec. 2009 No. OC341 REVISED EDITION-E PDF 7

Distributed in Dec. 2008 No. OC341 REVISED EDITION-D PDF 7

Distributed in May 2008 No. OC341 REVISED EDITION-C PDF 7

Distributed in Jul. 2007 No. OC341 REVISED EDITION-B PDF 9

Distributed in Aug. 2006 No. OC341 REVISED EDITION-A PDF 9

Distributed in Jun. 2005 No. OC341 PDF 10

Made in Japan

New publication, effective Apr. 2012
Specifications are subject to change without notice.