



# N4H4

## Performance Series Product Specifications

### 14 SEER HEAT PUMP ENVIRONMENTALLY BALANCED R-410A REFRIGERANT 1½ THRU 5 TONS SPLIT SYSTEM 208/230 Volt 1-phase, 208/230 Volt 3-phase, 460 Volt 3-phase; 60 Hz

#### REFRIGERATION CIRCUIT

- Scroll compressors on all models
- Suction line accumulator factory installed
- Bi-flow filter-drier included for field installation
- Integrated solid state control with Time-Temperature Defrost
- High and Low pressure switches
- Copper tube / aluminum fin coil

#### EASY TO INSTALL AND SERVICE

- Easy Access service valves on all models
- External high and low refrigerant service ports
- Only two screws to access control panel
- Factory charged with R-410A refrigerant

#### BUILT TO LAST

- Baked-on powder coat finish over galvanized steel
- Post-painted (black) coil fins
- Coated, weather-resistant cabinet screws
- Coated inlet grille with 3/8 (10mm) grille spacing for extra protection

#### LIMITED WARRANTY\*

- 5 year parts limited warranty (including compressor and coil)
  - With timely registration, an additional 5 year parts limited warranty (including compressor and coil)

\* For residential applications only. See warranty certificate for complete details and restrictions, including warranty coverage for other applications.



Use of the AHRI Certified TM Mark indicates a manufacturer's participation in the program. For verification of certification for individual products, go to [www.ahridirectory.org](http://www.ahridirectory.org).



Model Number	Size (tons)	Nominal Btu/hr	Min. Circuit Ampacity	Max. Fuse or Breaker	Operating Dimensions length x width x height inches (mm)	Operating/Ship Weight lbs. (kg)
N4H418GKG	1½	18,000	11.8	20	23- 1/8 x 23- 1/8 x 35- 1/2 (587 x 587 x 902)	136 / 166 (61 / 75)
N4H424GKG	2	24,000	14.2	25	25- 3/4 x 25- 3/4 x 35- 1/2 (654 x 654 x 902)	144 / 175 (65 / 79)
N4H430GKG	2½	30,000	16.9	30	31- 3/16 x 31- 3/16 x 32- 1/16 (792 x 792 x 815)	158 / 180 (72 / 82)
N4H436G*G	3	36,000	19.5	30	31- 3/16 x 31- 3/16 x 38- 7/8 (792 x 792 x 988)	170 / 201 (77 / 91)
N4H442GKG	3½	42,000	24.0	40	31- 3/16 x 31- 3/16 x 38- 7/8 (792 x 792 x 988)	201 / 235 (91 / 107)
N4H448G*G	4	48,000	25.2	40	31- 3/16 x 31- 3/16 x 28- 11/16 (792 x 792 x 729)	197 / 232 (89 / 105)
N4H460G*G	5	60,000	32.0	50	31- 3/16 x 31- 3/16 x 32- 1/16 (792 x 792 x 815)	212 / 248 (96 / 113)

\* K = 208/230V Single- Phase; H = 208/230V Three- Phase; L = 460V Three- Phase

OUTDOOR UNIT MODEL NUMBER IDENTIFICATION GUIDE (single phase)											
Digit Position:	1	2	3	4	5, 6	7	8	9	10	11	12
Example Part Number:	<b>N</b>	<b>4</b>	<b>H</b>	<b>4</b>	<b>18</b>	<b>G</b>	<b>K</b>	<b>G</b>	<b>1</b>	<b>0</b>	<b>0</b>
C = Day & Night Mainline N = Day & Night Entry <b>BRANDING</b>											
4 = R- 410A <b>REFRIGERANT</b>											
H = Heat Pump <b>TYPE</b>											
4 = 14 SEER <b>NOMINAL EFFICIENCY</b>											
18 = 18,000 BTUH = 1½ tons 24 = 24,000 BTUH = 2 tons 30 = 30,000 BTUH = 2½ tons 36 = 36,000 BTUH = 3 tons 42 = 42,000 BTUH = 3½ tons 48 = 48,000 BTUH = 4 tons 60 = 60,000 BTUH = 5 tons <b>NOMINAL CAPACITY</b>											
G = Coil Guard Grille, 3/8 (10mm) spacing <b>FEATURES</b>											
K = 208/230- 1- 60 H = 208/230- 3- 60 L = 460- 3- 60 <b>VOLTAGE</b>											
Sales Code											
Engineering Revision											
Extra Digit											
Extra Digit											

ACCESSORIES PART NUMBER IDENTIFICATION GUIDE									
Digit Position:	1	2	3	4	5	6, 7	8, 9	10, 11	
Example Part Number:	<b>N</b>	<b>A</b>	<b>S</b>	<b>A</b>	<b>0</b>	<b>01</b>	<b>01</b>	<b>CH</b>	
N = Non- Branded <b>BRANDING</b>									
A = Accessory <b>PRODUCT GROUP</b>									
S = Split System (AC & HP) <b>KIT USAGE</b>									
A = Original B = 2nd Generation <b>MAJOR SERIES</b>									
0 = Generic or Not Applicable 4 = R- 410A <b>REFRIGERANT</b>									
Product Identifier Number									
Package Quantity									
Type of Kit(Example: CH = Crankcase Heater)									

**PHYSICAL DATA**

UNIT SIZE SERIES	18GKG	24GKG	30GKG	36G*G	42GKG	48G*G	60G*G
Compressor Type	Scroll						
REFRIGERANT	R- 410A						
Control	TXV (R- 410A Hard Shutoff)						
Charge lb (kg)	5.3 (2.4)	5.6 (2.5)	6.4 (2.9)	7.67 (3.48)	8.25 (3.74)	8.68 (3.94)	10.6 (4.81)
COND FAN	Forward Swept or Propeller Type, Direct Drive						
Air Discharge	Vertical						
Motor HP	1/12	1/10	1/4	1/5	1/4	1/4	1/4
Motor RPM	1100	1100	1100	1100	1100	1100	800
Air Qty. (CFM)	1792	2196	3365	2365	3700	3365	3700
VALVE CONNECT. (In. ID)							
Vapor	5/8	5/8	3/4	3/4	7/8	7/8	7/8
Liquid	3/8						
REFRIGERANT TUBES** (In. OD)							
Rated Vapor	5/8	5/8	3/4	3/4	7/8	7/8	1 - 1/8
Max Liquid Line	3/8						

\* K = 208/230V Single-Phase; H = 208/230V Single-Phase; L = 460V Three-Phase

\*\* Units are rated with 25 ft (7.6 m) of lineset length. See Vapor Line Sizing and Cooling Capacity Loss table when using other sizes and lengths of lineset.

Note: See unit Installation Instruction for proper installation.

**ELECTRICAL DATA**

UNIT SIZE	V/PH	OPER VOLTS*		COMPR		FAN	MCA	MAX FUSE** or CKT BRK AMPS
		MAX	MIN	LRA	RLA	FLA		
18GKG	208/230/1	253	197	48.0	9.0	0.50	11.8	20
24GKG				62.9	10.9	0.60	14.2	25
30GKG				72.5	13.5	1.40	18.3	30
36GKG				75.0	14.7	1.10	19.5	30
42GKG				105.5	18.1	1.40	24.0	40
48GKG				108.0	19.0	1.40	25.2	40
60GKG	208/230/3	253	187	144.2	24.4	1.52	32.0	50
36GHG				70.0	8.46	1.10	11.7	20
48GHG				123.0	10.44	1.40	14.5	25
60GHG	460/3	506	414	110.0	15.96	1.52	21.5	30
36GLG				31.0	3.85	0.60	5.4	15
48GLG				60.0	6.0	0.77	8.3	15
60GLG				52.0	7.75	0.77	10.5	15

\* Permissible limits of the voltage range at which the unit will operate satisfactorily

\*\* Time-Delay fuse.

FLA - Full Load Amps

LRA - Locked Rotor Amps

MCA - Minimum Circuit Amps

RLA - Rated Load Amps

NOTE: Control circuit is 24- V on all units and requires external power source. Copper wire must be used from service disconnect to unit.

All motors/compressors contain internal overload protection.

Complies with 2007 requirements of ASHRAE Standards 90.1

**A- WEIGHTED SOUND POWER**

UNIT SIZE	STANDARD RATING (dBA)	TYPICAL OCTAVE BAND SPECTRUM (dBA, without tone adjustment)						
		125	250	500	1000	2000	4000	8000
18GKG	69	45	48	56	62	55	53	47
24GKG	76	46	56	59	63	63	60	55
30GKG	77	52	62	67	68	65	62	55
36GKG, GHG, GLG	77	51	62	66	69	64	61	53
42GKG	76	49	61	63	65	62	60	52
48GKG, GHG, GLG	79	53	66	69	71	67	64	57
60- GKG	73	50	63	62	63	60	58	52
60GHG, GLG	76	52.4	62.4	63.3	66.3	64.7	59	56.9

NOTE: Tested in accordance with AHRI Standard 270-08 (not listed in AHRI).

**A- WEIGHTED SOUND POWER WITH SOUND HOOD**

UNIT SIZE	STANDARD RATING	TYPICAL OCTAVE BAND SPECTRUM (dBA, without tone adjustment)						
		125	250	500	1000	2000	4000	8000
18GKG	68	47	48	56	61	55	52	46
24GKG	74	47	57	59	62	61	58	51
30GKG	77	52	62	67	67	65	62	54
36GKG, GHG, GLG	76	52	62	66	67	64	60	52
42GKG	74	50	61	63	64	61	58	49
48GKG, GHG, GLG	79	54	66	69	70	67	64	56
60GKG	73	51	64	62	63	59	56	49
60GHG, GLG	76	52.4	62.4	63.3	66.3	64.7	59	56.9

NOTE: Tested in accordance with AHRI Standard 270-08 (not listed in AHRI).

**CHARGING SUBCOOLING (TXV- TYPE EXPANSION DEVICE)**

UNIT SIZE- SERIES	REQUIRED SUBCOOLING ° F (° C)
18GKG	11 (6.1)
24GKG	11 (6.1)
30GKG	10 (5.6)
36GKG	10 (5.6)
36GHG, GLG	11 (6.1)
42GKG	10 (5.6)
48GKG, GHG, GLG	14 (7.7)
60GKG, GHG, GLG	15 (8.3)

**HP ONLY REPLACEMENT WITH PISTON INDOORS**

When the N4H4 is used as a replacement component in a system with a piston fan coil, use the indoor piston size specified below:

UNIT SIZE	PISTON SIZE		
	FEM4P	FMA4	FM(C,U)4P
18	0.052	0.050	0.050
24	0.057	0.057	0.056
30	0.067	0.070	0.067
36	0.070	0.072	0.069
42	0.078		
48	0.084		
60			

**VAPOR LINE SIZING AND COOLING CAPACITY LOSS**

Acceptable vapor line diameters provide adequate oil return to the compressor while avoiding excessive capacity loss. The suction line diameters shown in the chart below are acceptable for HP systems with R- 410A refrigerant:

**Vapor Line Sizing and Cooling Capacity Losses - R-410A Refrigerant 1- Stage Heat Pump Applications**

Unit Nominal Size (Btuh)	Acceptable Vapor Line Diameters (In. OD)	Cooling Capacity Loss (%) Total Equivalent Line Length (ft)											
		Standard Application			Long Line Application Requires Accessories								
		25 (7.62)	50 (15.2)	80 (24.4)	80+ (24.4+)	100 (30.48)	125 (38.10)	150 (45.72)	175 (53.34)	200 (60.96)	225 (68.58)	250 (76.20)	
18000 1- Stage HP	1/2	1	2	3	3	4	6	7	8	9	10	12	
	5/8	0	0	1	1	1	1	2	2	3	3	3	
24000 1- Stage HP	5/8	0	1	1	1	2	3	3	4	4	5	6	
	3/4	0	0	0	0	0	1	1	1	1	1	2	
30000 1- Stage HP	5/8	1	2	3	3	3	4	5	6	7	8	9	
	3/4	0	0	1	1	1	1	2	2	2	3	3	
	7/8	0	0	0	0	0	1	1	1	1	1	1	
36000 1- Stage HP	5/8	1	2	4	4	5	6	7	9	10	11	13	
	3/4	0	0	1	1	1	2	2	3	3	4	4	
	7/8	0	0	0	0	0	1	1	1	1	2	2	
42000 1- Stage HP	3/4	0	1	2	2	2	3	4	4	5	6	6	
	7/8	0	0	1	1	1	1	2	2	2	3	3	
48000 1- Stage HP	3/4	0	1	2	2	3	4	5	5	6	7	8	
	7/8	0	0	1	1	1	2	2	2	3	3	4	
60000 1- Stage R- 410A HP	3/4	1	2	4	4	5	6	7	9	10	11	12	
	7/8	0	1	2	2	2	3	4	4	5	5	6	
	1 1/8	0	0	0	0	1	1	1	1	1	1	2	

Standard Length = 80 ft. (24.4 m) or less total equivalent length

Applications in this area are long line. Accessories are required as shown recommended on Long Line Application Guidelines  
Applications in this area may have height restrictions that limit allowable total equivalent length, when outdoor unit is below indoor unit See Long Line Application Guidelines

**REFRIGERANT PIPING LENGTH LIMITATIONS**

**Maximum Line Lengths:**

The maximum allowable total equivalent length for heat pumps varies depending on the vertical separation. See the tables below for allowable lengths depending on whether the outdoor unit is on the same level, above or below the outdoor unit.

**Maximum Line Lengths for Heat Pump Applications**

	MAXIMUM ACTUAL LENGTH ft (m)	MAXIMUM EQUIVALENT LENGTH† ft (m)	MAXIMUM VERTICAL SEPARATION ft (m)
Units on equal level	200 (61)	250 (76.2)	N/A
Outdoor unit ABOVE indoor unit	200 (61)	250 (76.2)	200 (61)
Outdoor unit BELOW indoor unit	See Table 'Maximum Total Equivalent Length: Outdoor Unit BELOW Indoor Unit'		

† Total equivalent length accounts for losses due to elbows or fitting. See the Long Line Guideline for details.

Maximum Total Equivalent Length† - Outdoor Unit BELOW Indoor Unit

Size	Liquid Line Diameter w/ TXV	HP with R- 410A Refrigerant - Maximum Total Equivalent Length† Vertical Separation ft (m) Outdoor unit BELOW indoor unit;						
		0- 20 (0 - 6.1)	21- 30 (6.4 - 9.1)	31- 40 (9.4 - 12.2)	41- 50 (12.5 - 15.2)	51- 60 (15.5 - 18.3)	61- 70 (18.6 - 21.3)	71- 80 (21.6 - 24.4)
18000 HP with R- 410A	3/8	250*	250*	250*	250*	250*	250*	250*
24000 HP with R- 410A	3/8	250*	250*	250*	250*	250*	250*	250*
30000 HP with R- 410A	3/8	250*	250*	250*	250*	250*	250*	250*
36000 HP with R- 410A	3/8	250*	250*	250*	250*	250*	250*	250*
42000 HP with R- 410A	3/8	250*	250*	250*	250*	250*	250*	150
48000 HP with R- 410A	3/8	250*	250*	250*	250*	230	160	--
60000 HP with R- 410A	3/8	250*	225*	190	150	110	--	--

\* Maximum actual length not to exceed 200 ft (61 m)

† Total equivalent length accounts for losses due to elbows or fitting. See the Long Line Guideline for details.

-- = outside acceptable range

LONG LINE APPLICATIONS

An application is considered Long Line when the refrigerant level in the system requires the use of accessories to maintain acceptable refrigerant management for systems reliability. Defining a system as long line depends on the liquid line diameter, actual length of the tubing, and vertical separation between the indoor and outdoor units.

For Heat Pump systems, the chart below shows when an application is considered Long Line. Beyond these lengths, long line accessories are required:

HP WITH R- 410A REFRIGERANT LONG LINE DESCRIPTION ft (m)  
Beyond these lengths, long line accessories are required

Liquid Line Size	Units On Same Level	Outdoor Below Indoor	Outdoor Above Indoor
3/8	80 (24.4)	20 (6.1) vertical or 80 (24.4) total	80 (24.4)

Note: See Long Line Guideline for details

Model Number	Indoor Coil Model Number	Cooling Capacity	EER	SEER	High Temp		HSPF	Low Temp	
					E Capacity	E COP		H Capacity	H COP
N4H418GKG	FEM4X18**BL	17,800	11.7	14	17,600	3.72	8.2	10,400	2.40
N4H424GKG	FEM4X24**CL	22,200	11.5	14	22,200	3.84	8.2	13,200	2.54
N4H430GKG	FEM4X30**BL	28,600	11.7	14	28,600	3.62	8.2	17,100	2.44
N4H436GKG	FEM4X36**BL	33,000	11.7	14	33,800	3.62	8.2	21,000	2.40
N4H436G(H/L)G	FEM4X36**BL	33,000	11.0	14	33,000	3.64	8.2	20,800	2.46
N4H442GKG	FEM4X42**BL	40,000	11.5	14	41,000	3.62	8.2	25,200	2.50
N4H448GKG	FEM4X48**BL	46,000	11.7	14	45,500	3.64	8.2	27,800	2.56
N4H448G(H/L)G	FEM4X48**BL	46,000	11.7	14	45,500	3.64	8.2	27,800	2.56
N4H460GKG	FXM4X60**AL	57,000	11.7	14	54,500	3.70	8.2	33,000	2.56
N4H460G(H/L)G	FXM4X60**AL	57,000	11.7	14	54,500	3.70	8.2	33,000	2.56

\* AHRI = Air Conditioning, Heating & Refrigeration Institute

\* Ratings are net values reflecting the effects of circulating fan heat. Supplemental electric heat is not included. Ratings are based on:

Cooling Standard: 80°F (27°C) db 67°F (19°C) wb indoor entering air temperature and 95°F (35°C) db air entering outdoor unit.

High-Temp Heating Standard: 70°F (21°C) db indoor entering air temperature and 47°F (8°C) db 43°F (6°C) wb air entering outdoor unit.

Low-Temp Heating Standard: 70°F (21°C) db indoor entering air temperature and 17°F (-8°C) db 15°F (-9°C) wb air entering outdoor unit.

COP — Coefficient of Performance

EER — Energy Efficiency Ratio

HSPF — Heating Seasonal Performance Factor

SEER — Seasonal Energy Efficiency Ratio

TESTED AHRI COMBINATION RATINGS\*

NOTE: Ratings contained in this document are subject to change at any time.

For AHRI ratings certificates, please refer to the AHRI directory. [www.ahridirectory.org](http://www.ahridirectory.org)

Additional ratings and system combinations can be accessed via the Day and Night database:

<http://www.icpeqp.com/AHRIratings/ratings.aspx?Brand=DayAndNight>

Or scan this QR code:



DIMENSIONS

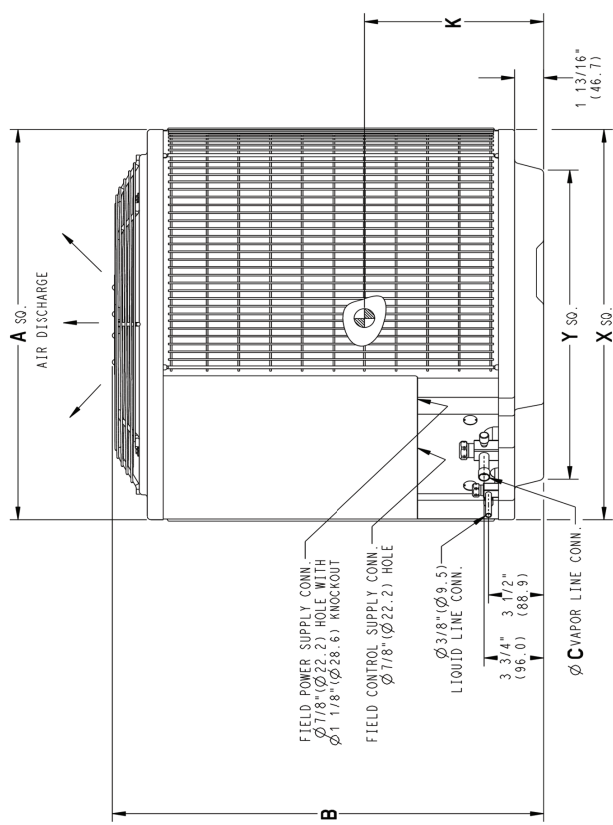
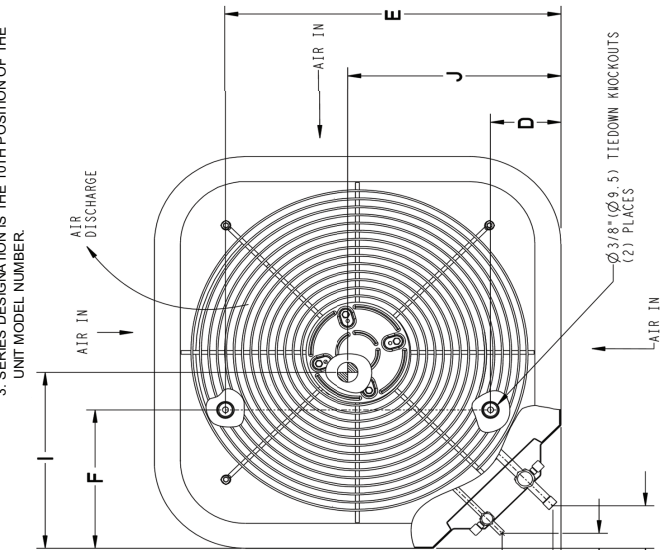
UNIT	SERIES	ELECTRICAL CHARACTERISTICS		A		B		C		D		E		F		G		H		I		J		K		OPERATING WEIGHT		SHIPPING WEIGHT		SHIPPING LENGTH / WIDTH (Sq.)		SHIPPING HEIGHT		
		INCH	MM	INCH	MM	INCH	MM	INCH	MM	INCH	MM	INCH	MM	INCH	MM	INCH	MM	INCH	MM	INCH	MM	INCH	MM	INCH	MM	INCH	MM	INCH	MM	INCH	MM			
N4H418GKG101	1	Y	N	N	23 1/8	587.3	35 1/2	902.0	5/8	15.9	4 7/16	113.0	18 1/16	459.0	7 13/16	197.9	1 1/8	28.2	3 13/16	97.4	11	279.4	15 3/4	400.1	12	304.8	166	61.7	75.3	25 1/4	641.5	40	1015.8	
N4H424GKG101	1	Y	N	N	25 3/4	654.0	35 1/2	901.4	5/8	15.9	4 7/16	113.0	21 1/4	538.9	9 1/8	231.3	1 1/8	28.2	3 13/16	97.4	12	304.8	13 1/4	338.6	13 1/2	342.9	175	79.4	27 7/8	708.2	40	1015.8		
N4H430GKG101	1	Y	N	N	31 3/16	792.5	32 1/16	815.1	3/4	19.1	6 9/16	166.1	24 11/16	626.3	9 1/8	231.3	1 1/8	28.2	3 13/16	97.4	15	381.0	11	279.4	16	406.4	158	71.7	180	81.6	33 5/16	846.6	36 5/8	929.5
N4H436GKG101	1	Y	N	N	31 3/16	792.5	38 7/8	987.8	3/4	19.1	6 9/16	166.1	24 11/16	626.3	9 1/8	231.3	1 1/8	28.2	3 13/16	97.4	15 3/4	400.1	14	355.6	10 3/4	273.1	170	77.1	201	91.2	33 5/16	846.6	43 3/8	1102.2
N4H442GKG101	1	Y	N	N	31 3/16	792.5	38 7/8	987.8	7/8	22.2	6 9/16	166.1	24 11/16	626.3	9 1/8	231.3	1 1/8	28.2	3 13/16	97.4	15 1/2	393.7	13 1/2	342.9	14	355.6	201	91.2	235	106.6	33 5/16	846.6	43 3/8	1102.2
N4H448GKG101	1	Y	N	N	31 3/16	792.5	28 11/16	728.7	7/8	22.2	6 9/16	166.1	24 11/16	626.3	9 1/8	231.3	1 1/8	28.2	3 13/16	97.4	16 1/2	419.1	11 1/2	292.1	15	381.0	197	89.4	232	105.2	33 5/16	846.6	43 3/8	1102.2
N4H460GKG101	1	Y	N	N	31 3/16	792.5	32 1/16	815.1	7/8	22.2	6 9/16	166.1	24 11/16	626.3	9 1/8	231.3	1 1/8	28.2	3 13/16	97.4	14 3/4	374.7	15 3/4	400.1	16 1/4	412.8	248	112.5	33 5/16	846.6	36 5/8	929.5		
N4H480GKG101	2	N	Y	N	31 3/16	792.5	28 11/16	728.7	3/4	19.1	6 9/16	166.1	24 11/16	626.3	9 1/8	231.3	1 1/8	28.2	3 13/16	97.4	15 3/4	400.1	14	355.6	10 3/4	273.1	170	77.1	201	91.2	33 5/16	846.6	36 5/8	929.5
N4H436GLG201	2	N	Y	N	31 3/16	792.5	28 11/16	728.7	3/4	19.1	6 9/16	166.1	24 11/16	626.3	9 1/8	231.3	1 1/8	28.2	3 13/16	97.4	15 3/4	400.1	14	355.6	10 3/4	273.1	170	77.1	201	91.2	33 5/16	846.6	36 5/8	929.5
N4H448GKG101	1	N	Y	N	31 3/16	792.5	28 11/16	728.7	7/8	22.2	6 9/16	166.1	24 11/16	626.3	9 1/8	231.3	1 1/8	28.2	3 13/16	97.4	16 1/2	419.1	11 1/2	292.1	15	381.0	197	89.4	232	105.2	33 5/16	846.6	36 5/8	929.5
N4H480GKG101	1	N	Y	N	31 3/16	792.5	32 1/16	815.1	7/8	22.2	6 9/16	166.1	24 11/16	626.3	9 1/8	231.3	1 1/8	28.2	3 13/16	97.4	16 1/2	419.1	11 1/2	292.1	15	381.0	197	89.4	232	105.2	33 5/16	846.6	36 5/8	929.5
N4H460GLG101	1	N	Y	N	31 3/16	792.5	32 1/16	815.1	7/8	22.2	6 9/16	166.1	24 11/16	626.3	9 1/8	231.3	1 1/8	28.2	3 13/16	97.4	14 3/4	374.7	15 3/4	400.1	16 1/4	412.8	248	112.5	33 5/16	846.6	36 5/8	929.5		
N4H460GLG101	1	N	Y	N	31 3/16	792.5	32 1/16	815.1	7/8	22.2	6 9/16	166.1	24 11/16	626.3	9 1/8	231.3	1 1/8	28.2	3 13/16	97.4	14 3/4	374.7	15 3/4	400.1	16 1/4	412.8	248	112.5	33 5/16	846.6	36 5/8	929.5		

Y=YES  
N=NO

208-230-1-60	575-3-60
208-230-3-60	460-3-60

NOTES:

1. ALLOW 24" (609.6) CLEARANCE TO SERVICE SIDE OF UNIT, 48" (1219.2) ABOVE UNIT, 6" (152.4) ON ONE SIDE, 12" (304.8) ON REMAINING SIDE, AND 24" (609.6) BETWEEN UNITS FOR PROPER AIRFLOW.
2. CENTER OF GRAVITY
3. SERIES DESIGNATION IS THE 10TH POSITION OF THE UNIT MODEL NUMBER.



UNIT SIZE	"X"		"Y"	
	MINIMUM GROUND MOUNTING PAD APPLICATION DIMENSIONS	MINIMUM ROOF-TOP MOUNTING PAD APPLICATION DIMENSIONS	MINIMUM GROUND MOUNTING PAD APPLICATION DIMENSIONS	MINIMUM ROOF-TOP MOUNTING PAD APPLICATION DIMENSIONS
18	23 1/8	587.3	17 7/8	454.6
24	25 3/4	654.0	20 7/16	518.5
30,36,42,48,60	31 3/16	792.5	22 15/16	583.2
35	35	889.0	26 3/4	679.7

NOTE: ALL DIMENSIONS IN INCH (MM)

U.S. ECCN: Not Subject to Regulation (N.S.R.)

DETAILED COOLING CAPACITIES#

EVAPORATOR AIR		CONDENSER ENTERING AIR TEMPERATURES ° F (° C)																							
CFM	EWB ° F (° C)	75 (23.9)		85 (29.4)		95 (35)		105 (40.6)		115 (46.1)		125 (51.7)													
		Capacity MBtuh Total	Total System KW**	Capacity MBtuh Total	Total System KW**	Capacity MBtuh Total	Total System KW**	Capacity MBtuh Total	Total System KW**	Capacity MBtuh Total	Total System KW**	Capacity MBtuh Total	Total System KW**												
N4H4196KG Outdoor Section With FEM4X18**BL Indoor Section														N4H4242KG Outdoor Section With FEM4X24**CL Indoor Section											
525	72 (22.2)	21.43	10.44	20.38	10.06	1.36	9.66	18.10	9.26	1.74	16.86	8.83	1.97	15.56	8.39	2.22									
	67 (19.4)	19.44	12.77	18.48	12.39	1.36	11.99	16.40	11.58	1.73	15.26	11.15	1.96	14.06	10.69	2.21									
	63 (17.2)††	17.99	12.27	17.10	11.90	1.35	11.50	15.16	11.08	1.73	14.10	10.65	1.95	12.98	10.19	2.20									
	62 (16.7)	17.64	15.03	16.78	14.93	1.35	14.22	14.81	13.76	1.73	14.00	14.00	1.95	13.10	13.10	2.20									
	57 (13.9)	16.97	16.97	16.30	16.30	1.35	15.58	15.58	14.81	1.73	13.98	13.98	1.95	13.08	13.08	2.20									
600	72 (22.2)	21.88	10.96	20.77	10.58	1.38	19.82	10.18	9.76	1.76	17.12	9.33	1.98	15.77	8.88	2.23									
	67 (19.4)	19.86	13.61	18.66	13.22	1.37	17.80	12.82	12.39	1.75	15.51	11.95	1.97	14.27	11.48	2.22									
	63 (17.2)††	18.40	13.06	17.47	12.87	1.36	16.49	14.34	11.84	1.74	14.34	11.39	1.97	13.19	10.92	2.21									
	62 (16.7)	18.08	16.13	17.20	15.71	1.36	16.27	16.27	15.43	1.74	14.54	14.54	1.97	13.59	13.59	2.22									
	57 (13.9)	17.73	17.73	17.01	17.01	1.36	16.24	16.24	15.41	1.74	14.52	14.52	1.97	13.57	13.57	2.22									
675	72 (22.2)	22.22	11.46	21.08	10.66	1.57	19.88	10.24	9.95	1.77	17.31	9.80	2.00	15.92	9.35	2.25									
	67 (19.4)	20.19	14.41	19.15	14.01	1.38	18.06	13.60	13.16	1.76	15.70	12.71	1.99	14.44	12.22	2.23									
	63 (17.2)††	18.71	13.81	17.75	13.41	1.38	16.74	12.99	12.55	1.75	14.53	12.09	1.98	13.35	11.59	2.23									
	62 (16.7)	18.48	17.11	17.63	17.63	1.38	16.80	16.80	15.93	1.76	14.99	14.99	1.98	13.99	13.99	2.23									
	57 (13.9)	18.36	18.36	17.60	17.60	1.38	16.78	16.78	15.91	1.75	14.97	14.97	1.98	13.97	13.97	2.23									

EVAPORATOR AIR		CONDENSER ENTERING AIR TEMPERATURES ° F (° C)																							
CFM	EWB ° F (° C)	75 (23.9)		85 (29.4)		95 (35)		105 (40.6)		115 (46.1)		125 (51.7)													
		Capacity MBtuh Total	Total System KW**	Capacity MBtuh Total	Total System KW**	Capacity MBtuh Total	Total System KW**	Capacity MBtuh Total	Total System KW**	Capacity MBtuh Total	Total System KW**	Capacity MBtuh Total	Total System KW**												
N4H4242KG Outdoor Section With FEM4X24**CL Indoor Section														N4H4300KG Outdoor Section With FEM4X30**BL Indoor Section											
700	72 (22.2)	26.47	13.51	25.28	13.08	1.71	24.03	12.82	12.15	2.14	21.30	11.65	2.41	19.77	11.11	2.72									
	67 (19.4)	24.06	16.68	22.96	16.24	1.71	21.82	15.78	15.31	2.15	19.33	14.80	2.42	17.93	14.25	2.72									
	63 (17.2)††	22.32	16.04	21.30	15.80	1.72	20.23	15.14	14.66	2.16	17.91	14.15	2.42	16.62	13.60	2.73									
	62 (16.7)	21.92	19.75	20.94	19.28	1.72	19.93	18.78	18.88	2.16	17.88	17.88	2.42	16.83	16.83	2.73									
	57 (13.9)	21.31	21.31	20.52	20.52	1.72	19.70	19.70	18.81	2.16	17.86	17.86	2.42	16.81	16.81	2.73									
800	72 (22.2)	26.97	14.20	25.73	13.76	1.72	24.44	13.30	12.82	2.16	21.60	12.31	2.43	20.01	11.76	2.74									
	67 (19.4)	24.53	17.79	23.38	17.34	1.73	22.20	16.87	16.38	2.16	19.61	15.86	2.43	18.18	15.29	2.74									
	63 (17.2)††	22.77	17.07	21.77	16.82	1.73	20.60	16.15	15.65	2.17	18.53	15.33	2.44	16.86	14.56	2.74									
	62 (16.7)	22.45	21.17	21.45	21.27	1.73	20.50	20.50	19.55	2.17	18.53	18.53	2.44	17.41	17.41	2.74									
	57 (13.9)	22.20	22.20	21.35	21.35	1.73	20.47	20.47	19.53	2.17	18.51	18.51	2.44	17.39	17.39	2.74									
900	72 (22.2)	27.35	14.86	26.08	14.41	1.74	24.73	13.94	13.46	2.17	21.82	12.94	2.44	20.18	12.38	2.75									
	67 (19.4)	24.89	18.85	23.71	18.38	1.75	22.49	17.91	17.40	2.18	19.84	16.86	2.45	18.07	16.26	2.76									
	63 (17.2)††	23.12	18.05	22.02	17.59	1.75	20.88	17.10	16.59	2.19	18.41	16.05	2.46	17.05	15.45	2.77									
	62 (16.7)	22.97	22.97	22.08	22.08	1.75	21.14	21.14	20.14	2.19	19.07	19.07	2.45	17.88	17.88	2.76									
	57 (13.9)	22.94	22.94	22.05	22.05	1.75	21.11	21.11	20.12	2.19	19.04	19.04	2.45	17.86	17.86	2.76									

EVAPORATOR AIR		CONDENSER ENTERING AIR TEMPERATURES ° F (° C)																							
CFM	EWB ° F (° C)	75 (23.9)		85 (29.4)		95 (35)		105 (40.6)		115 (46.1)		125 (51.7)													
		Capacity MBtuh Total	Total System KW**	Capacity MBtuh Total	Total System KW**	Capacity MBtuh Total	Total System KW**	Capacity MBtuh Total	Total System KW**	Capacity MBtuh Total	Total System KW**	Capacity MBtuh Total	Total System KW**												
N4H4300KG Outdoor Section With FEM4X30**BL Indoor Section														N4H4342KG Outdoor Section With FEM4X34**BL Indoor Section											
875	72 (22.2)	33.97	17.32	32.47	16.75	2.17	30.87	16.16	15.54	2.67	27.30	14.87	2.98	25.29	14.15	3.33									
	67 (19.4)	30.80	21.30	29.42	20.72	2.17	27.96	20.13	19.50	2.67	24.69	18.82	2.98	22.86	18.10	3.32									
	63 (17.2)††	28.51	20.46	27.22	19.89	2.17	25.86	19.29	18.66	2.67	22.82	17.98	2.97	21.12	17.25	3.32									
	62 (16.7)	27.99	25.15	26.74	24.55	2.17	25.44	23.90	23.17	2.67	22.67	22.67	2.97	21.30	21.30	3.32									
	57 (13.9)	27.05	27.05	26.06	26.06	2.18	25.01	25.01	23.88	2.67	22.64	22.64	2.97	21.27	21.27	3.32									
1050	72 (22.2)	34.85	18.48	33.25	17.90	2.21	31.57	17.30	16.66	2.71	27.81	15.97	3.02	25.71	15.24	3.37									
	67 (19.4)	31.61	23.17	30.15	22.59	2.21	28.60	21.97	21.32	2.71	25.18	20.61	3.02	23.27	19.84	3.36									
	63 (17.2)††	29.28	22.21	27.99	21.82	2.21	26.47	21.00	20.34	2.71	23.29	19.63	3.01	21.52	18.86	3.36									
	62 (16.7)	28.88	27.53	27.47	27.47	2.21	26.36	26.36	25.12	2.71	23.77	23.77	3.01	22.28	22.28	3.36									
	57 (13.9)	28.55	28.55	27.48	27.48	2.21	26.33	26.33	25.09	2.71	23.74	23.74	3.01	22.26	22.26	3.36									
1125	72 (22.2)	35.15	18.97	33.53	18.39	2.23	31.81	17.78	17.13	2.73	27.99	16.44	3.03	25.85	15.70	3.38									
	67 (19.4)	31.89	23.96	30.39	23.37	2.23	28.82	22.74	22.07	2.73	25.34	21.35	3.03	23.41	20.56	3.38									
	63 (17.2)††	29.55	22.94	28.15	22.94	2.23	26.69	21.71	21.03	2.73	23.45	20.30	3.03	21.66	19.51	3.38									
	62 (16.7)	29.18	29.18	28.02	28.02	2.23	26.83	26.83	25.55	2.73	24.15	24.15	3.03	22.63	22.63	3.38									
	57 (13.9)	29.10	29.10	27.98	27.98	2.23	26.80	26.80	25.52	2.73	24.13	24.13	3.03	22.60	22.60	3.38									

See notes on page 4





DETAILED COOLING CAPACITIES# CONTINUED

EVAPORATOR AIR		CONDENSER ENTERING AIR TEMPERATURES ° F (° C)																	
		75 (23.9)			85 (29.4)			95 (35)			105 (40.6)			115 (46.1)			125 (51.7)		
		CFM	EWB ° F (° C)	Capacity MBtuh		Total System KW**	Capacity MBtuh		Total System KW**	Capacity MBtuh		Total System KW**	Capacity MBtuh		Total System KW**	Capacity MBtuh		Total System KW**	
Total	Sens†			Total	Sens†		Total	Sens†		Total	Sens†		Total	Sens†		Total	Sens†		
N4H448GKG, N4H448GHC, and N4H448GLG Outdoor Sections With FEM4X48**BL Indoor Section																			
1400	72 (22.2)	55.75	28.05	3.23	53.27	27.12	3.59	50.55	47.46	24.99	4.37	44.01	23.75	4.83	40.13	22.38	5.35		
	67 (19.4)	50.68	34.45	3.22	48.45	33.53	3.57	46.00	43.23	31.42	4.34	40.10	30.17	4.80	36.59	28.79	5.33		
	63 (17.2)††	46.99	33.15	3.22	44.92	31.23	3.55	42.67	40.12	30.14	4.31	37.25	28.91	4.78	34.00	27.52	5.32		
	62 (16.7)	46.10	40.65	3.21	44.11	39.69	3.55	41.94	39.54	37.40	4.31	36.87	36.87	4.77	34.21	34.21	5.32		
	57 (13.9)	44.33	44.33	3.21	42.76	42.76	3.54	41.05	39.07	39.07	4.30	36.80	36.80	4.77	34.17	34.17	5.32		
1600	72 (22.2)	56.80	29.37	3.28	54.22	28.15	3.64	51.35	48.15	26.25	4.42	44.55	24.98	4.88	40.56	23.60	5.40		
	67 (19.4)	51.68	36.59	3.28	49.35	35.66	3.62	46.77	43.48	33.48	4.39	40.64	32.20	4.85	37.01	30.76	5.38		
	63 (17.2)††	47.95	35.15	3.27	45.79	34.21	3.61	43.42	40.77	32.06	4.37	37.78	30.79	4.83	34.43	29.35	5.37		
	62 (16.7)	47.16	43.44	3.27	45.10	42.39	3.60	42.90	40.54	40.54	4.37	38.10	38.10	4.83	35.30	35.30	5.38		
	57 (13.9)	46.14	46.14	3.26	44.46	44.46	3.60	42.61	40.49	40.49	4.37	38.06	38.06	4.83	35.26	35.26	5.37		
1800	72 (22.2)	57.65	30.65	3.33	54.95	29.68	3.69	52.00	48.67	27.48	4.47	44.97	26.19	4.93	40.86	24.79	5.45		
	67 (19.4)	52.48	38.69	3.33	50.04	37.72	3.67	47.37	44.38	35.48	4.45	41.04	34.15	4.91	37.34	32.64	5.44		
	63 (17.2)††	48.72	37.10	3.32	46.47	36.13	3.66	44.02	41.28	32.58	4.42	38.20	32.58	4.88	34.78	31.07	5.42		
	62 (16.7)	48.09	45.92	3.32	45.99	45.99	3.66	43.96	43.96	41.71	4.43	39.13	39.13	4.89	36.17	36.17	5.43		
	57 (13.9)	47.65	47.65	3.32	45.88	45.88	3.66	43.91	43.91	41.66	4.43	39.09	39.09	4.89	36.13	36.13	5.43		

See notes on page 4

EVAPORATOR AIR		CONDENSER ENTERING AIR TEMPERATURES ° F (° C)																	
		75 (23.9)			85 (29.4)			95 (35)			105 (40.6)			115 (46.1)			125 (51.7)		
		CFM	EWB ° F (° C)	Capacity MBtuh		Total System KW**	Capacity MBtuh		Total System KW**	Capacity MBtuh		Total System KW**	Capacity MBtuh		Total System KW**	Capacity MBtuh		Total System KW**	
Total	Sens†			Total	Sens†		Total	Sens†		Total	Sens†		Total	Sens†		Total	Sens†		
N4H460GKG, N4H460GHC, and N4H460GLG Outdoor Sections With FEM4X60**AL Indoor Section																			
1750	72 (22.2)	64.47	36.36	3.53	61.69	35.21	3.88	58.75	55.61	32.74	4.78	52.18	31.36	5.34	48.43	29.90	5.99		
	67 (19.4)	58.76	44.97	3.50	56.25	43.82	3.86	53.58	42.62	41.34	4.76	47.58	39.96	5.32	44.10	38.44	5.96		
	63 (17.2)††	54.60	43.31	3.48	52.27	42.16	3.84	49.79	40.96	42.25	4.74	44.21	38.28	5.29	40.98	36.76	5.94		
	62 (16.7)	53.59	53.34	3.48	51.34	52.14	3.84	48.98	50.87	49.42	4.73	43.81	43.81	5.29	41.19	41.19	5.94		
	57 (13.9)	51.87	51.87	3.47	50.08	50.08	3.83	48.17	48.17	46.08	4.73	43.74	43.74	5.29	41.14	41.14	5.94		
2000	72 (22.2)	65.61	38.13	3.59	62.71	36.95	3.95	59.86	56.39	34.44	4.85	52.83	33.04	5.41	48.97	31.55	6.06		
	67 (19.4)	59.86	47.88	3.57	57.21	46.69	3.92	54.43	45.47	44.16	4.82	48.19	42.72	5.36	44.64	41.17	6.03		
	63 (17.2)††	55.66	46.01	3.55	53.22	44.83	3.91	50.84	43.61	42.29	4.80	44.85	40.86	5.36	41.52	39.29	6.01		
	62 (16.7)	54.79	57.14	3.55	52.47	55.78	3.90	50.08	50.08	47.80	4.80	45.32	45.32	5.36	42.54	42.54	6.02		
	57 (13.9)	53.97	53.97	3.54	52.05	52.05	3.90	49.99	49.99	47.74	4.80	45.26	45.26	5.36	42.49	42.49	6.02		
2250	72 (22.2)	66.47	39.80	3.66	63.48	38.61	4.02	60.32	56.96	36.06	4.91	53.30	34.64	5.47	49.33	33.13	6.12		
	67 (19.4)	60.67	50.65	3.63	57.94	49.44	3.99	55.07	48.18	44.40	4.89	48.67	45.37	5.45	45.03	43.74	6.09		
	63 (17.2)††	56.46	48.58	3.61	53.93	47.38	3.97	51.26	44.76	44.76	4.87	45.32	43.28	5.43	41.91	41.63	6.07		
	62 (16.7)	55.83	55.83	3.61	53.75	53.75	3.97	51.56	49.17	49.17	4.87	46.57	46.57	5.44	43.63	43.63	6.09		
	57 (13.9)	55.71	55.71	3.61	53.68	53.68	3.97	51.49	49.12	49.12	4.87	46.49	46.49	5.43	43.58	43.58	6.09		

† Total and sensible capacities are net capacities. Blower motor heat has been subtracted.

‡ Sensible capacities shown are based on 80°F (27°C) entering air at the indoor coil. For sensible capacities at other than 80°F (27°C), deduct 835 Btuh (245 kW) per 1000 CFM (480 L/S) of indoor coil air for each degree below 80°F (27°C), or add 835 Btuh (245 kW) per 1000 CFM (480 L/S) of indoor coil air per degree above 80°F (27°C).

# Detailed cooling capacities are based on indoor and outdoor unit at the same elevation per AHRI standard 210/240 - 2008. If additional tubing length and/or indoor unit is located above outdoor unit, a slight variation in capacity may occur.

\*\* Sys. kw is total of indoor and outdoor unit kilowatts.

†† At TVA rating indoor condition (75°F edb/63°F ewb). All other indoor air temperatures are at 80°F edb.

NOTE: When the required data falls between the published data, interpolation may be performed. Extrapolation is not an acceptable practice.

EWB — Entering Wet Bulb



HEAT PUMP HEATING PERFORMANCE CONTINUED

INDOOR AIR		OUTDOOR COIL ENTERING AIR TEMPERATURES °F (°C)																							
EDB °F (°C)	CFM	-3 (19.4)			7 (-13.9)			17 (-8.3)			27 (-2.8)			37 (2.8)			47 (8.3)			57 (13.9)			67 (19.4)		
		Capacity MBtuh	Total Sys-tem kW	Integ	Capacity MBtuh	Total Sys-tem kW	Integ	Capacity MBtuh	Total Sys-tem kW	Integ	Capacity MBtuh	Total Sys-tem kW	Integ	Capacity MBtuh	Total Sys-tem kW	Integ	Capacity MBtuh	Total Sys-tem kW	Integ	Capacity MBtuh	Total Sys-tem kW	Integ	Capacity MBtuh	Total Sys-tem kW	Integ
65	1225	15.89	14.35	2.48	19.93	18.31	2.59	24.83	22.84	2.71	30.26	28.88	3.01	35.66	32.45	3.18	41.58	38.18	3.34	48.02	44.02	3.56	53.69	49.69	3.79
	1400	15.91	14.64	2.50	20.28	18.64	2.59	25.75	23.48	2.72	30.80	27.17	2.84	36.05	32.81	2.98	42.10	38.21	3.14	48.21	44.21	3.26	53.51	49.51	3.37
	1575	16.19	14.89	2.51	20.58	18.91	2.60	26.05	23.75	2.72	30.91	27.46	2.84	36.39	33.12	2.96	42.45	38.18	3.10	48.18	44.18	3.20	53.24	49.24	3.31
70	1225	14.78	13.60	2.58	19.20	17.84	2.69	24.06	21.93	2.82	29.80	26.47	2.98	35.19	32.02	3.10	41.00	37.02	3.27	47.42	43.42	3.48	53.09	49.09	3.62
	1400	15.07	13.87	2.59	19.52	17.94	2.69	24.44	22.28	2.81	30.13	26.76	2.96	35.55	32.35	3.10	41.49	37.49	3.27	47.70	43.70	3.40	52.99	48.99	3.52
	1575	15.33	14.10	2.61	19.82	18.21	2.71	24.79	22.60	2.82	30.42	27.02	2.95	35.89	32.66	3.09	41.91	37.91	3.24	47.75	43.75	3.35	52.74	48.74	3.45
75	1225	14.00	12.88	2.68	18.50	17.00	2.79	23.38	21.32	2.93	29.35	26.07	3.11	34.70	31.57	3.28	40.41	36.41	3.47	46.83	42.83	3.64	52.47	48.47	3.79
	1400	14.27	13.13	2.69	18.80	17.28	2.80	23.74	21.65	2.92	29.68	26.36	3.09	35.07	31.92	3.24	40.89	36.89	3.41	47.13	43.13	3.55	52.43	48.43	3.68
	1575	14.51	13.34	2.71	19.07	17.53	2.81	24.05	21.93	2.93	29.95	26.60	3.21	35.39	32.20	3.21	41.30	37.30	3.38	47.26	43.26	3.50	52.23	48.23	3.60
65	1400	16.35	15.04	2.75	21.40	19.66	2.87	26.82	24.46	3.00	33.50	29.76	3.17	39.20	35.67	3.31	45.68	41.68	3.48	53.36	49.36	3.61	61.87	57.87	3.84
	1600	16.89	15.36	2.78	21.78	20.01	2.89	27.25	24.85	3.00	33.88	30.09	3.16	39.67	36.10	3.29	46.26	42.26	3.44	54.19	50.19	3.61	62.42	58.42	3.76
	1800	17.00	15.64	2.81	22.12	20.33	2.91	27.64	25.20	3.02	34.22	30.40	3.17	40.06	36.45	3.28	46.75	42.75	3.42	54.77	50.77	3.57	62.78	58.78	3.72
70	1400	15.48	14.25	2.85	20.60	18.93	2.97	26.05	23.75	3.11	32.86	29.19	3.29	38.68	35.20	3.45	45.00	41.00	3.62	52.51	48.51	3.82	61.02	57.02	4.00
	1600	15.80	14.54	2.87	20.97	19.27	2.99	26.47	24.14	3.12	33.35	29.62	3.28	39.10	35.58	3.42	45.56	41.56	3.58	53.28	49.28	3.75	61.59	57.59	3.92
	1800	16.05	14.76	2.91	21.28	19.55	3.02	26.84	24.47	3.13	33.71	29.94	3.29	39.47	35.92	3.42	46.04	42.04	3.56	53.98	49.98	3.72	61.98	57.98	3.87
85	1400	13.11	12.07	3.19	18.31	16.83	3.34	23.83	21.72	3.50	29.75	26.42	3.67	37.16	33.82	3.93	43.00	39.00	4.12	49.89	45.89	4.32	58.18	54.18	4.52
	1600	13.37	12.30	3.22	18.63	17.12	3.35	24.21	22.07	3.50	30.22	26.84	3.66	37.55	34.17	3.89	43.52	39.52	4.07	50.66	46.66	4.25	58.86	54.86	4.43
	1800	13.58	12.49	3.25	18.88	17.35	3.38	24.50	22.34	3.51	30.57	27.15	3.66	37.88	34.48	3.87	43.96	39.96	4.04	51.35	47.35	4.20	59.33	55.33	4.37
65	1750	21.14	19.45	3.33	26.85	24.67	3.46	33.16	30.23	3.60	40.66	36.11	3.79	47.51	43.23	3.95	55.22	51.22	4.13	64.29	60.29	4.32	73.31	69.31	4.50
	2000	21.51	19.79	3.38	27.26	25.05	3.48	33.65	30.88	3.61	41.05	36.45	3.77	48.03	43.70	3.92	55.88	51.88	4.08	64.95	60.95	4.23	73.54	69.54	4.40
	2250	21.84	20.10	3.40	27.62	25.39	3.51	34.07	31.07	3.63	41.40	36.77	3.78	48.48	44.12	3.91	56.46	52.46	4.07	65.31	61.31	4.19	73.39	69.39	4.34
70	1750	20.38	18.75	3.48	26.13	24.01	3.62	32.40	29.54	3.76	40.19	35.69	3.87	46.94	42.71	4.14	54.50	50.50	4.32	63.44	59.44	4.51	72.41	68.41	4.70
	2000	20.74	19.08	3.51	26.54	24.39	3.64	32.87	29.97	3.77	40.59	36.05	3.96	47.44	43.17	4.11	55.15	51.15	4.27	64.14	60.14	4.42	72.69	68.69	4.60
	2250	21.08	19.40	3.55	26.91	24.73	3.67	33.30	30.36	3.79	40.95	36.37	3.96	47.88	43.57	4.09	55.71	51.71	4.25	64.55	60.55	4.38	72.63	68.63	4.53
75	1750	19.58	18.01	3.63	25.30	23.30	3.78	31.62	28.83	3.94	39.87	35.23	4.16	46.37	42.20	4.33	53.80	49.80	4.52	62.59	58.59	4.72	71.50	67.50	4.92
	2000	19.94	18.35	3.67	25.78	23.69	3.80	32.10	29.27	3.94	40.12	35.64	4.14	46.85	42.63	4.29	54.42	50.42	4.46	63.33	59.33	4.63	71.81	67.81	4.80
	2250	20.28	18.65	3.71	26.15	24.03	3.83	32.52	29.65	3.96	40.49	35.96	4.14	47.28	43.02	4.28	54.97	50.97	4.43	63.78	59.78	4.57	71.82	67.82	4.73

NOTE: When the required data falls between the published data, interpolation may be performed. Extrapolation is not an acceptable practice.

\* The Btuh heating capacity values shown are net integrated values from which the defrost effect has been subtracted. The Btuh heating from supplement heaters should be added to those values to obtain total Sys. capacity.

† The kW values include the compressor, outdoor fan motor, and indoor blower motor. The kW from supplement heaters should be added to these values to obtain total Sys. kilowatts.

EDB — Entering Dry Bulb

## Accessory Description and Usage (Listed Alphabetically)

### 1. Ball-Bearing Fan Motor

A fan motor with ball bearings which permits speed reduction while maintaining bearing lubrication.

### 2. Compressor Start Assist - Capacitor and Relay

Start capacitor and relay gives a hard boost to compressor motor at each start up.

#### Usage Guideline:

Required for reciprocating compressors in the following applications:

Long line

Low ambient cooling

Hard shut off expansion valve on indoor coil

Liquid line solenoid on indoor coil

Required for single-phase scroll compressors in the following applications:

Long line

Low ambient cooling

Suggested for all single-phase compressors in areas with a history of low voltage problems.

### 3. Compressor Start Assist — PTC Type

Solid state electrical device which gives a soft boost to the compressor at each start-up.

#### Usage Guideline:

Suggested in installations for single-phase units with marginal power supply.

### 4. Crankcase Heater

An electric resistance heater which mounts to the base of the compressor to keep the lubricant warm during off cycles. Improves compressor lubrication on restart and minimizes the chance of liquid slugging.

#### Usage Guideline:

Required in low ambient cooling applications.

Required in long line applications.

Suggested in all commercial applications.

### 5. Evaporator Freeze Thermostat

An SPST temperature-actuated switch that stops unit operation when evaporator reaches freeze-up conditions.

#### Usage Guideline:

Required when low ambient kit has been added.

### 6. Isolation Relay

An SPDT relay which switches the low-ambient controller out of the outdoor fan motor circuit when the heat pump switches to heating mode.

#### Usage Guideline:

Required in all heat pumps where low ambient kit has been added.

### 7. Liquid-Line Solenoid Valve (LLS)

An electrically operated shutoff valve which stops and starts refrigerant liquid flow in response to compressor operation. It is to be installed at the outdoor unit to control refrigerant off cycle migration in the heating mode.

#### Usage Guideline:

An LLS is required in all long line heat pump applications to control refrigerant off cycle migration in the heating mode. See Long Line Guideline.

### 8. Low-Ambient Pressure Switch Kit

A long life pressure switch which is mounted to outdoor unit service valve. It is designed to cycle the outdoor fan motor in order to maintain head pressure within normal operating limits. The control will maintain working head pressure at low-ambient temperatures down to 0°F (-17.8°C) when properly installed.

#### Usage Guideline:

A Low-Ambient Pressure Switch

Low-Ambient Controller must be used when cooling operation is used at outdoor temperatures below 55°F (12.8°C).

### 9. Sound Jacket

Wraparound sound reducing cover for the compressor. Reduces the sound level by about 2 dBA.

#### Usage Guideline:

Suggested when unit is installed closer than 15 ft. (4.577 m) to quiet areas, bedrooms, etc.

Suggested when unit is installed between two houses less than 10 ft. (3.05 m) apart.

### 10. Thermostatic Expansion Valve (TXV) Bi-Flow

A modulating flow-control valve which meters refrigerant liquid flow rate into the evaporator in response to the superheat of the refrigerant gas leaving the evaporator.

#### Usage Guideline:

Accessory required to meet AHRI rating and system reliability, where indoor not equipped.

Required in all heat pump applications designed with R-410A refrigerant.

### 11. Time-Delay Relay

An SPST delay relay which briefly continues operation of indoor blower motor to provide additional cooling after the compressor cycles off.

**Note:** Most indoor unit controls include this feature. For those that do not, use the guideline below.

#### Usage Guideline:

Accessory required to meet AHRI rating, where indoor not equipped.

**ACCESSORY USAGE GUIDELINE**

ACCESSORY	REQUIRED FOR LOW-AMBIENT COOLING APPLICATIONS (Below 55°F / 12.8°C)	REQUIRED FOR LONG LINE APPLICATIONS*	REQUIRED FOR SEA COAST APPLICATIONS (Within 2 miles/3.22 km)
Accumulator	Standard	Standard	Standard
Compressor Start Assist Capacitor and Relay	Yes**	Yes**	No**
Crankcase Heater	Yes ♦	Yes ♦	No ♦
Evaporator Freeze Thermostat	Yes	No	No
Hard Shutoff TXV	Yes	Yes	No
Isolation Relay	Yes	No	No
Liquid Line Solenoid Valve	No	See Long- Line Application Guideline	No
Low Ambient Switch	Yes	No	No
Support Feet	Recommended	No	Recommended

\* For tubing line sets between 80 and 200 ft. (24.38 and 60.96 m) and/or 20 ft. (6.09 m) vertical differential, refer to Residential Split- System Longline Application Guideline.

\*\* Not required for Three- Phase units

♦ Standard for Three- Phase units only

**ACCESSORIES**

Part Number	Description	Used On Model Size
NASA001SC	Start Component - PTC Device	ALL*
NASA00201FS	Evaporator Freeze Thermostat	ALL
NASA001LS	Liquid Line Solenoid Valve	ALL
NASA001TD	Time Delay Relay, Indoor Blower	ALL
NASA001AC	Anti- Cycle Timer (5 minute delay)	ALL
NASA401LA	Low Ambient Kit (Pressure Switch)	ALL
NASA00101IK	Low Ambient Isolation Relay Kit	ALL
NASA00201SF	Support Feet, 4" (102mm) tall	18, 24
NASA001SF	Support Feet, 4" (102mm) tall	30, 36, 42, 48, 60
NASA003SC	Hard Start Kit (Capacitor & Relay)	ALL*
NASA003CH	Crankcase Heater for Compressor *	18, 24, 30, 36
NASA001CH	Crankcase Heater for Compressor *	42, 48, 60
NASA002SJ	Sound Jacket, Compressor	18, 24, 30
NASA001SJ	Sound Jacket, Compressor	36, 42, 48
NASA003SJ	Sound Jacket, Compressor	60
NAEA40501TX	TXV Kit, R- 410A - use on copper and tin fan coils	18, 24, 30
NAEA40601TX	TXV Kit, R- 410A - use on copper and tin fan coils	36, 42
NAEA40701TX	TXV Kit, R- 410A - use on copper and tin fan coils	48, 60
NAEB40501TX	TXV Kit, R- 410A - use on aluminum fan coils	18, 24, 30
NAEB40601TX	TXV Kit, R- 410A - use on aluminum fan coils	36, 42
NAEB40701TX	TXV Kit, R- 410A - use on aluminum fan coils	48, 60

\* Single- Phase units