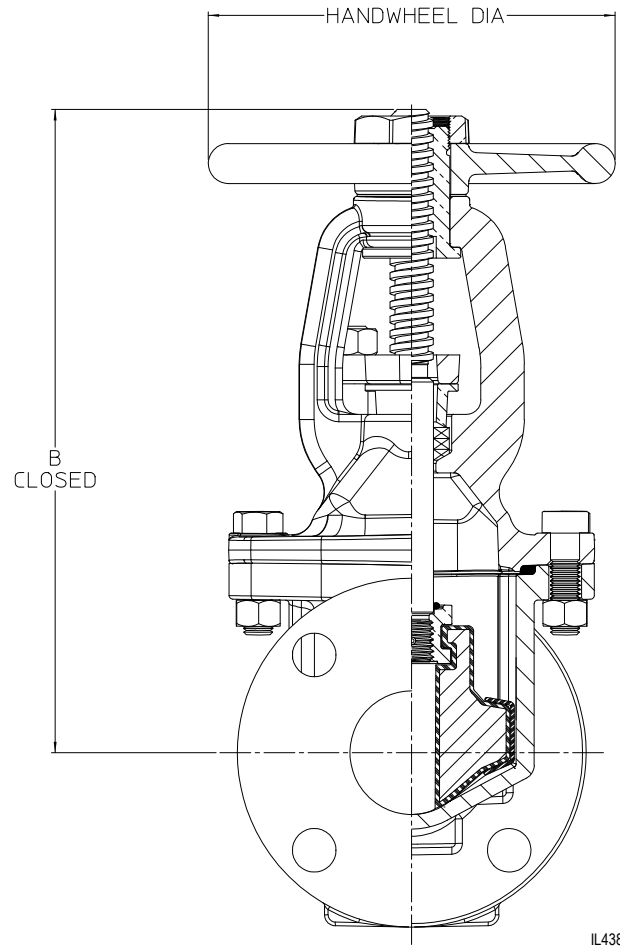
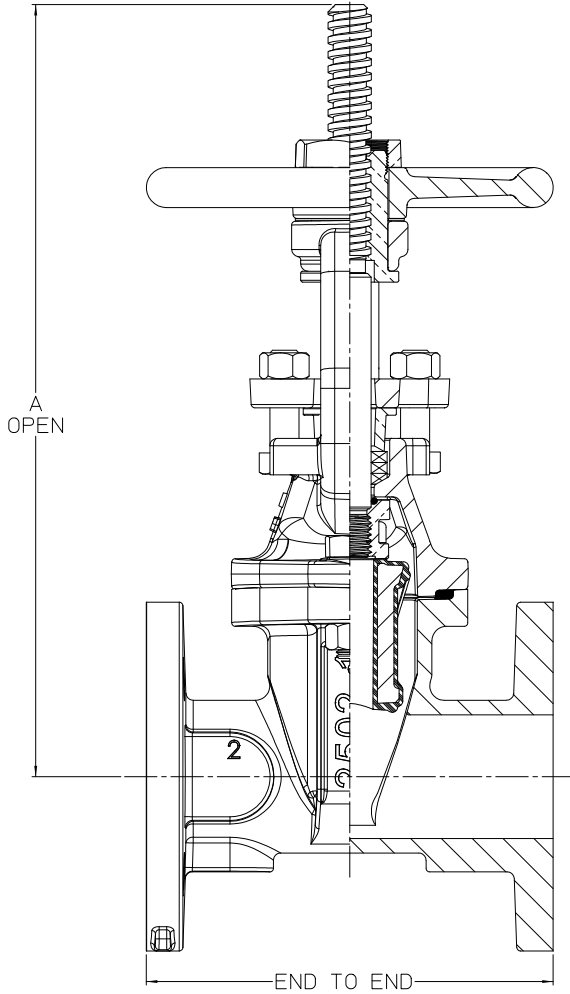
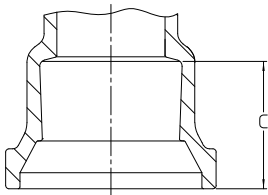


AMERICAN Flow Control Submittal Information

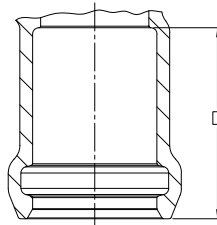
2" SERIES 2500-1 RESILIENT WEDGE GATE VALVE, OS&Y



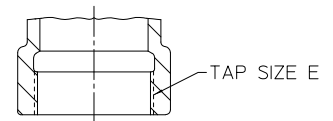
IL4388



MECHANICAL JOINT (MJ)



PVC



THREADED (SCREW)

OPTIONAL END CONNECTIONS

DIMENSION	2" VALVE SIZE
End to End - MJ/MJ	7.75
End to End - FL/FL	7.00
End to End - PVC/PVC	10.75
End to End - Threaded	5.00
A	13.28
B	11.06
C	2.50
D	3.75
E	2 NPT
Handwheel Diameter	7.00
No. of Turns to open	9

NOTES:

1. Bolt pattern of flanged ends are in accordance with ASME B16.1, Class 125.
2. PVC ends are for steel (IPS) sizes of PVC or steel pipe.
3. Threaded ends are in accordance with ASME B16.4, Class 125 (see dimension E).



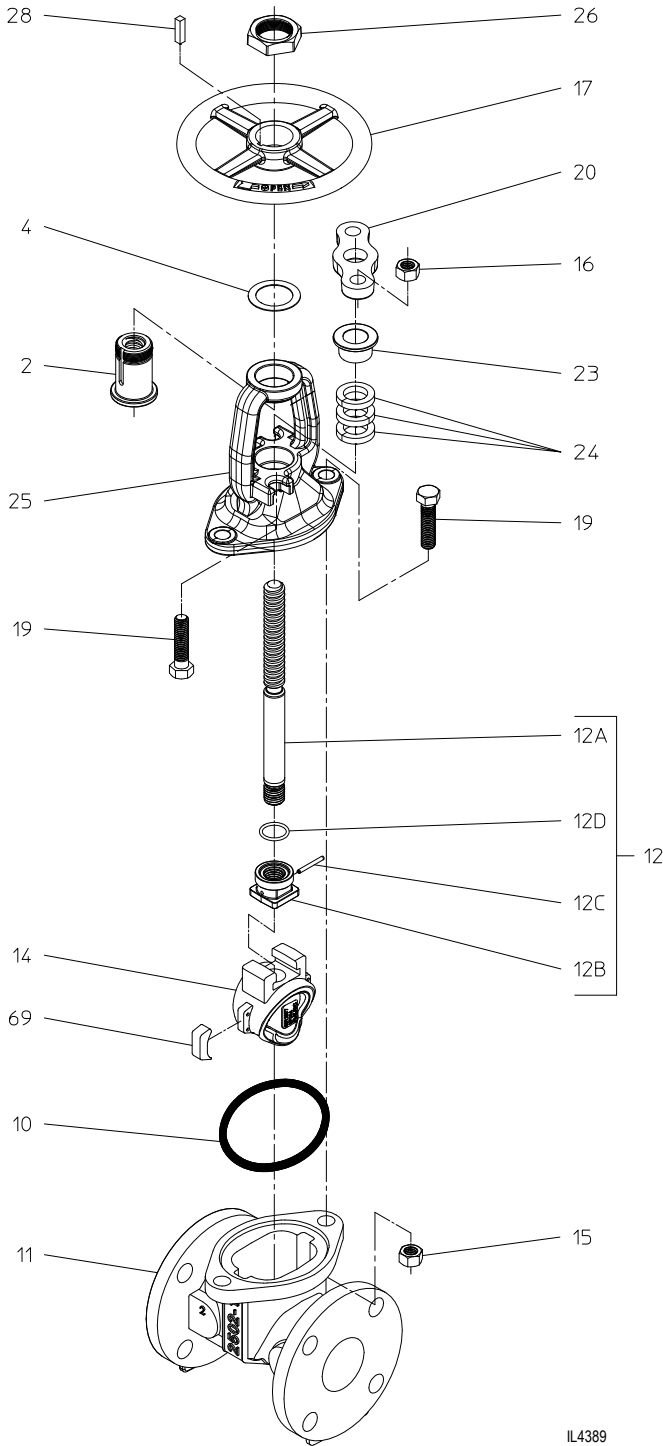
AMERICAN
FLOW CONTROL

THE RIGHT WAY

AMERICAN Flow Control
P.O. Box 2727
Birmingham, Al. 35202-2727
Phone: 1-800-326-8051
Fax: 1-800-610-3569
E-mail: afcsales@american-usa.com

Waterous Company
125 Hardman Avenue South
South St. Paul, Mn. 55075-1191
Phone: 1-888-266-3686
Fax: 1-800-601-2809
E-mail: afcsales@american-usa.com

WWW.AMERICAN-USA.COM



IL4389

Construction shown is typical of the 2-inch size with flanged end connections and is illustrative only. Construction of other end connection types vary slightly. See elsewhere on this submittal for specific details.

REF NO.	DESCRIPTION	MATERIAL
2	Yoke Nut	Silicon Bronze, ASTM B584, UNS C87600
4	Handwheel Washer	Nylon, ASTM D6779, LP-410A
10	Bonnet Gasket	Rubber O-ring
11	Body	Ductile Iron, ASTM A536
12	Stem Assembly	See Below
12A	Stem	304 Stainless Steel
12B	Wedge Nut	Silicon Bronze, ASTM B584, UNS C87600
12C	Groove Pin	303 Stainless Steel
12D	O-ring	Rubber
14	Resilient Wedge	EPDM Rubber Coated, Ductile Iron, ASTM A536
15	Hex Nut, 1/2-13	304 Stainless Steel
16	Hex Nut, 1/2-13	Brass, ASTM F467, UNS C27000
17	Handwheel	Ductile Iron, ASTM A536
19	Hex Head Bolt, 1/2-13 x 2"	304 Stainless Steel
20	Gland Follower	Ductile Iron, ASTM A536
23	Gland	Silicon Bronze, ASTM B584, UNS C87600
24	Packing Ring	PTFE Impregnated Braided Graphite
25	Bonnet	Ductile Iron, ASTM A536
26	Handwheel Nut	Silicon Bronze, ASTM B584, UNS C87600
28	Square Key	Stainless Steel
69	Wedge Cover	Acetal Polymer

OPTIONAL MATERIALS ARE AS FOLLOWS

BOLTS and NUTS: 316 Stainless Steel

STEM: 316 Stainless Steel

Open Direction: Left (C.C.W.) Right (C.W.)

NOTES:

1. Available in configurations that are UL Listed and FM Approved with 250 psig rated working pressure.
2. Meets applicable requirements of ANSI/AWWA C515 with 250 psig rated working pressure although the standard does not cover valves smaller than 3-inch.
3. Fusion-bonded epoxy-coated in accordance with ANSI/AWWA C550.
4. Certified to NSF/ANSI 61 & 372.



AMERICAN
FLOW CONTROL

THE RIGHT WAY

AMERICAN Flow Control
P.O. Box 2727
Birmingham, Al. 35202-2727
Phone: 1-800-326-8051
Fax: 1-800-610-3569
E-mail: afcsales@american-usa.com

Waterous Company
125 Hardman Avenue South
South St. Paul, Mn. 55075-1191
Phone: 1-888-266-3686
Fax: 1-800-601-2809
E-mail: afcsales@american-usa.com

WWW.AMERICAN-USA.COM