

# FREESTANDING

## TUB DRAIN DROP-IN ROUGH-IN FOR CAST IRON PIPE

SKU: 446540, 446541, 446542



### FEATURES

- Asymmetrical 18-gauge epoxy coated metal deck flange - makes installation in tight spaces easier.
- Built-in snap off test cap allows for water/air/smoke testing.
- Low profile design allows for installation in 8" joist space or greater.
- PVC adapter kit (attaches to PVC bath wastes).
- Rough-in assembly with 1-1/2" DWV PVC tailpiece.
- 2 Brass 1-1/2" diameter tailpieces (fine thread and flanged).
- 1" x 1-1/2" PVC reducing bushing.
- Includes cutting template and mortar/tile guard.

### SIGNATURE HARDWARE Lifetime Warranty

See website for detailed warranty information.

### CONTENTS

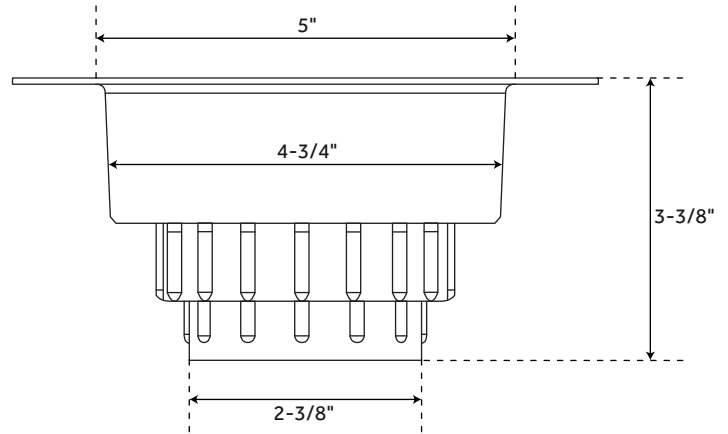
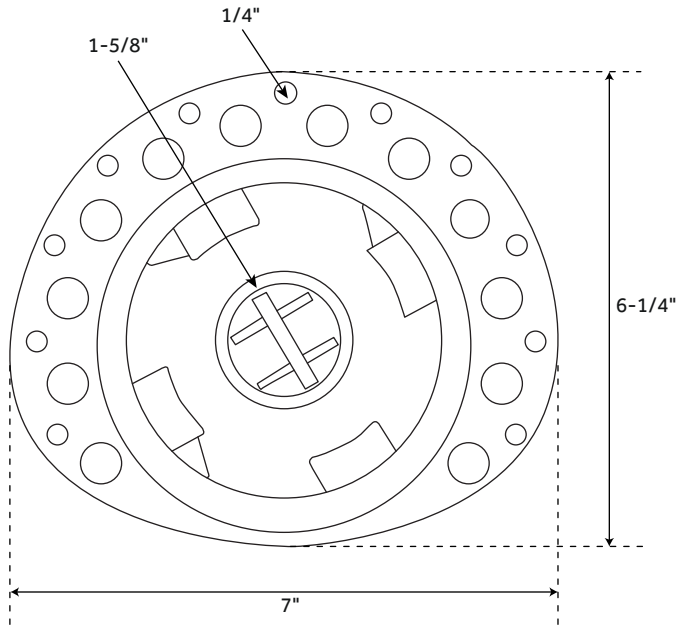
ROUGH IN ..... PAGE 2

REVISED 01/14/2020

# FREESTANDING

## TUB DRAIN DROP-IN ROUGH-IN FOR CAST IRON PIPE

SKU: 446540, 446541, 446542



### FEATURES

Material: Steel  
Length: 7"  
Width: 6-1/4"  
Height: 3-3/8"  
Fits Drain Hole Size: 1-1/2"

### CODES/STANDARDS

#### SH651ABS/SH651PVC

cCSAus  
ASME A112.18.2/CSA B125.2  
Massachusetts Accepted



#### SH651CI

cCSAus  
ASME A112.18.2/CSA B125.2



### SIGNATURE HARDWARE LIFETIME WARRANTY

See website for warranty information



All dimensions and specifications are nominal and may vary. Use actual products for accuracy in critical situations.

PAGE 2  
CODE: SH651ABS, SH651CI, SH651PVC