

FREESTANDING

TUB DRAIN DROP-IN ROUGH-IN

SKU: 446540, 446541, 446542



FEATURES

- Material: Steel
- Asymmetrical 18-gauge Epoxy Coated Metal Deck Flange - Makes Installation in Tight Spaces Easier
- Built-In Snap Off Test Cap Allows for Water/Air/Smoke Testing
- Low Profile Design Allows for Installation in 8" Joist Space or Greater
- Adapter Kit (Attaches to PVC Bath Wastes)
- Rough-in Assembly With 1-1/2" Dww Pvc Tailpiece
- 2 Brass 1-1/2" Diameter Tailpieces (Fine Thread and Flanged)
- Includes Cutting Template and Mortar/Tile Guard

CONTENTS

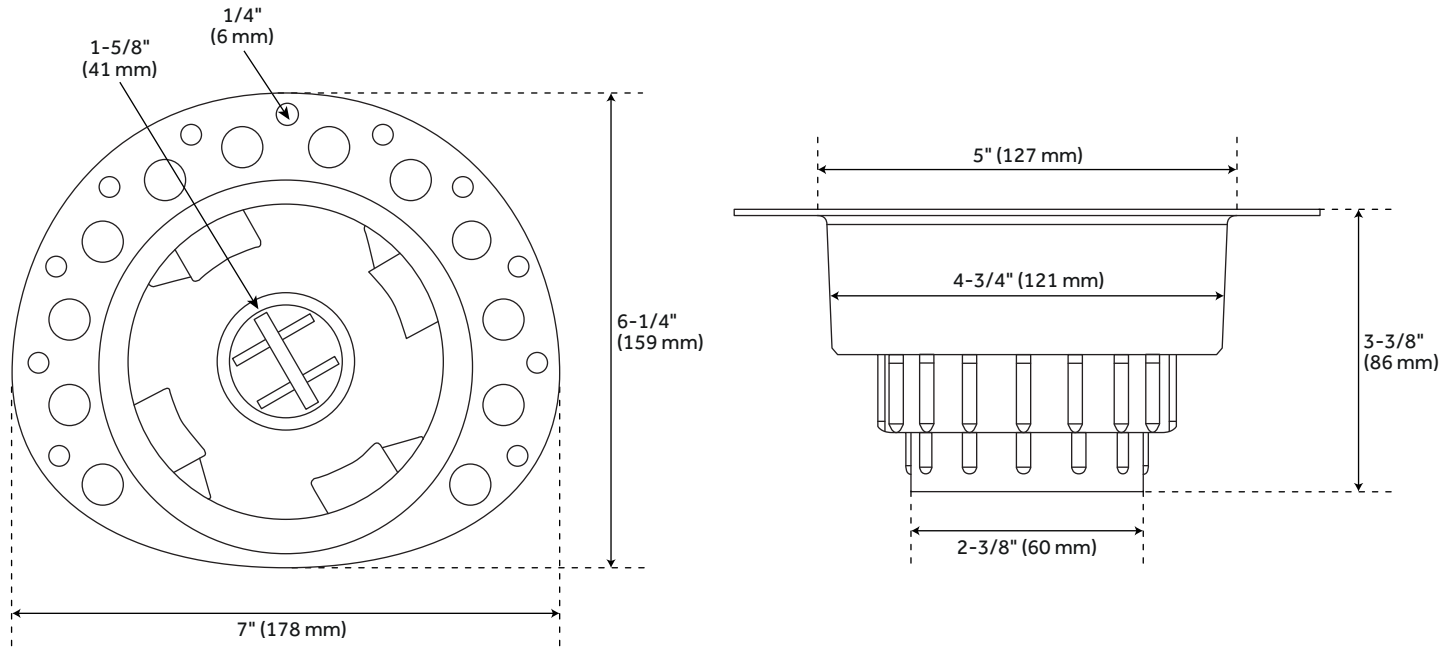
ROUGH-IN PAGE 2

REVISED 08/21/2020

FREESTANDING

TUB DRAIN DROP-IN ROUGH-IN

SKU: 446540, 446541, 446542



FEATURES

Length: 7"
Width: 6-1/4"
Height: 3-3/8"
Drain Size: 1-1/2"

CODES/STANDARDS

cCSAus
ASME A112.18.2/CSA B125.2
Massachusetts Accepted

PRODUCT IMAGE



All dimensions and specifications are nominal and may vary. Use actual products for accuracy in critical situations.

PAGE 2
Code: SH651ABS, SH651CI, SH651PVC