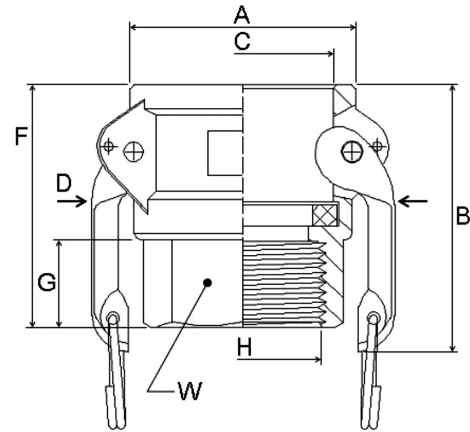


# BRASS - FEMALE COUPLER X FEMALE NPT, TYPE - D



A-A-59326D COMPATIBLE | MATERIALS: BRASS C38500 MOD



## DIMENSIONS (INCHES)

Product code	SIZE	A	B	C	E	F	G	H	W
FNWCGDBRD	1/2"	1.32	1.92	1	2.56	1.96	0.71	NPT	1.07
FNWCGDBRF	3/4"	1.61	1.94	1.28	2.62	2.02	0.76	NPT	1.24
FNWCGDBRG	1"	1.83	2.19	1.47	2.91	2.38	0.83	NPT	1.5
FNWCGDBRH	1-1/4"	2.21	3.09	1.81	3.47	2.54	0.79	NPT	1.88
FNWCGDBRJ	1-1/2"	2.5	3.12	2.13	3.54	2.84	1.03	NPT	2.24
FNWCGDBRK	2"	2.94	3.14	2.51	3.52	2.93	0.94	NPT	2.58
FNWCGDBRM	3"	4.17	3.73	3.63	4.04	3.39	1.22	NPT	3.72
FNWCGDBRP	4"	5.39	3.74	4.73	4.75	3.48	1.28	NPT	4.76

W = Wrenching (Flat-to-Flat)

\*E\* dimension for Arm & Ring "stretched", shown as Type-B specification sheet.