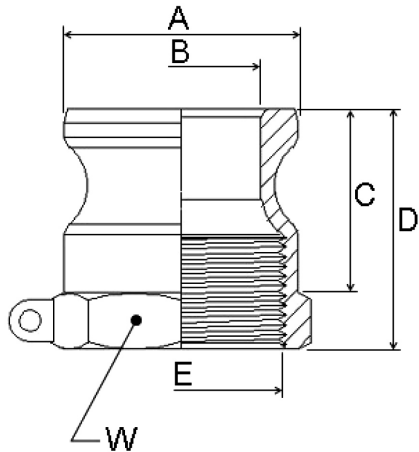


BRASS - MALE ADAPTER X FEMALE NPT, TYPE - A



A-A-59326D COMPATIBLE | MATERIALS: BRASS C38500 MOD



DIMENSIONS (INCHES)

Product Code	Size	A	B	C	D	E	W
FNWCGABRD *	1/2"	0.96	0.55	1.03	1.60	NPT	1.00
FNWCGABRF	3/4"	1.26	0.83	1.00	1.54	NPT	1.24
FNWCGABRG	1"	1.44	0.94	1.36	1.91	NPT	1.50
FNWCGABRH	1-1/4"	1.79	1.21	1.54	2.02	NPT	1.83
FNWCGABRJ	1-1/2"	2.10	1.52	1.63	2.13	NPT	2.17
FNWCGABRK	2"	2.48	1.81	1.88	2.43	NPT	2.58
FNWCGABRL	2-1/2"	2.98	2.28	2.00	2.70	NPT	3.11
FNWCGABRM	3"	3.60	2.88	2.01	2.72	NPT	3.72
FNWCGABRP	4"	4.71	3.87	2.08	2.94	NPT	4.76

*1/2" Type A does not have pull ring hole.

W = Wrenching (Flat-to-Flat)