

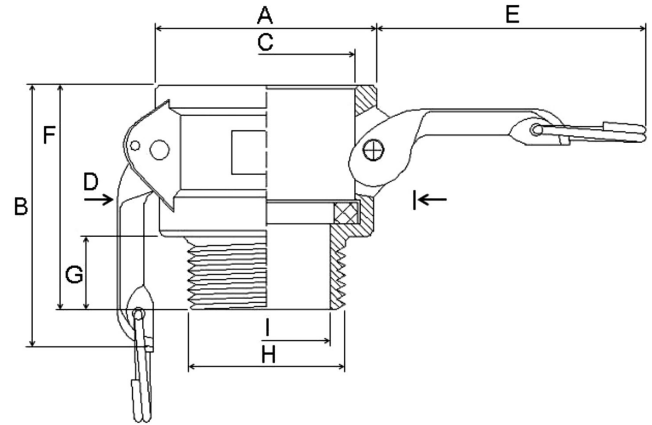
BRASS - FEMALE COUPLER X MALE NPT, TYPE - B



A-A-59326D COMPATIBLE | MATERIALS: BRASS C38500 MOD

STANDARD MATERIALS

Description	Material
Body	Brass C38500 MOD
Gasket	Buna-N (Standard Offer)
Arm	1/2"-1" SS, 1-1/4"-6" Brass
Pin	Steel (Plated)
Pull-Ring	Steel (Plated)
Safety-Pin	Steel (Plated)



DIMENSIONS (INCHES)

Product Code	Size	A	B	C	D	*E*	F	G	H	I
FNWCGBBRF	3/4"	1.61	1.94	1.28	2.10	2.62	2.05	0.79	NPT	0.76
FNWCGBBRG	1"	1.83	2.19	1.47	2.40	2.91	2.38	0.83	NPT	1.02
FNWCGBBRH	1-1/4"	2.21	3.09	1.81	3.25	3.47	2.71	0.96	NPT	1.28
FNWCGBBRJ	1-1/2"	2.50	3.12	2.13	3.56	3.54	2.63	0.81	NPT	1.54
FNWCGBBRK	2"	2.94	3.14	2.51	3.93	3.52	2.89	0.91	NPT	1.94
FNWCGBBRL	2-1/2"	3.48	3.33	3.01	4.43	3.52	3.30	1.18	NPT	2.48
FNWCGBBRM	3"	4.17	3.73	3.63	5.42	4.04	3.39	1.22	NPT	3.00
FNWCGBBRP	4"	5.39	3.74	4.73	6.52	4.75	3.52	1.31	NPT	3.97

E dimension for Arm & Ring "stretched", shown as Type-B specification sheet.