

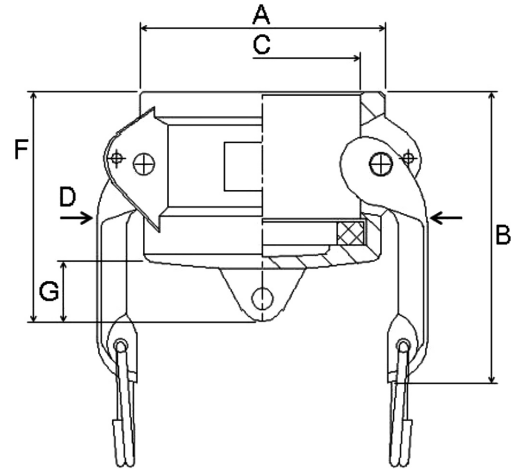
BRASS - DUST CAP, TYPE - DC



A-A-59326D COMPATIBLE | MATERIALS: BRASS C38500 MOD

STANDARD MATERIALS

Description	Material
Body	Brass C38500 MOD
Gasket	Buna-N (Standard Offer)
Arm	1/2"-1" SS, 1-1/4"-6" Brass
Pin	Steel (Plated)
Pull-Ring	Steel (Plated)
Safety-Pin	Steel (Plated)



DIMENSIONS (INCHES)

Product Code	Size	A	B	C	D	*E*	F	G
FNWCGDCBRF	3/4"	1.61	1.94	1.28	2.10	2.62	1.93	0.67
FNWCGDCBRG	1"	1.83	2.19	1.47	2.40	2.91	2.11	0.55
FNWCGDCBRJ	1-1/2"	2.50	3.12	2.13	3.56	3.54	2.48	0.67
FNWCGDCBRK	2"	2.94	3.14	2.51	3.93	3.52	2.75	0.64
FNWCGDCBRM	3"	4.17	3.73	3.63	5.42	4.04	2.87	0.59
FNWCGDCBRP	4"	5.39	3.74	4.73	6.52	4.75	2.85	0.65

E dimension for Arm & Ring "stretched", shown as Type-B specification sheet.
For safety reasons, dust caps and dust plugs should not be used in pressure applications.