

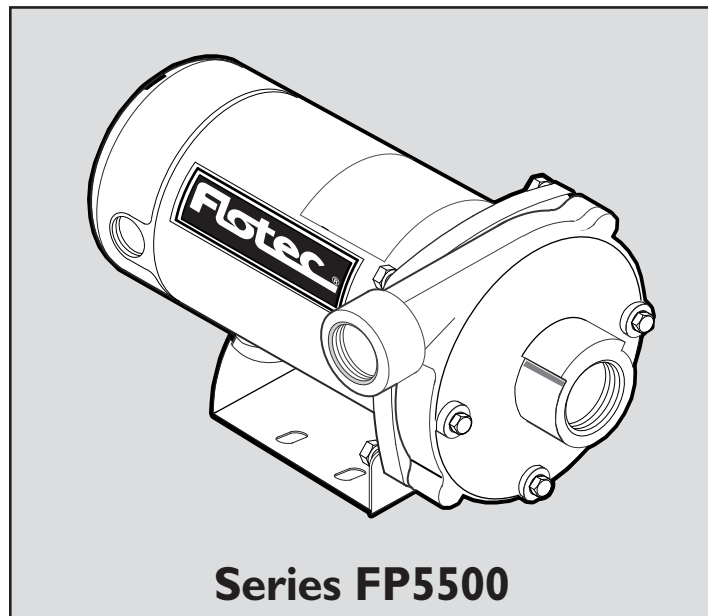


P.O. Box 342, Delavan, WI 53115
Phone: 1-800-365-6832
Fax: 1-800-526-3757
E-Mail: info@flotecwater.com
Web Site: http://www.flotecwater.com

OWNER'S MANUAL
Centrifugal Pumps

NOTICE D'UTILISATION
Pompes centrifuges

MANUAL DEL USUARIO
Bombas Centrífugas



Water
 is Our
Business®

Installation/Operation/Parts

For further operating, installation, or maintenance assistance:

Call 1-800-365-6832

English Pages 2-7

Installation/Fonctionnement/Pièces

Pour plus de renseignements concernant l'utilisation, l'installation ou l'entretien,

Composer le 1 (800) 365-6832

Français Pages 8-13

Instalación/Operación/Piezas

Para mayor información sobre el funcionamiento, instalación o mantenimiento de la bomba:

Llame al 1-800-365-6832

Español Paginas 14-19

READ AND FOLLOW SAFETY INSTRUCTIONS!

⚠ This is the safety alert symbol. When you see this symbol on your pump or in this manual, look for one of the following signal words and be alert to the potential for personal injury:

⚠ DANGER warns about hazards that **will** cause serious personal injury, death or major property damage if ignored.

⚠ WARNING warns about hazards that **can** cause serious personal injury, death or major property damage if ignored.

⚠ CAUTION warns about hazards that **will** or **can** cause minor personal injury or property damage if ignored.

The label **NOTICE** indicates special instructions which are important but not related to hazards.

Carefully read and follow all safety instructions in this manual and on pump.

Keep safety labels in good condition.


Replace missing or damaged safety labels.

ELECTRICAL SAFETY

⚠ WARNING Capacitor voltage may be hazardous.

To discharge motor capacitor, hold insulated handle screwdriver **BY THE HANDLE** and short capacitor terminals together. Do not touch metal screwdriver blade or capacitor terminals. If in doubt, consult a qualified electrician.

⚠ WARNING



Hazardous voltage. Can shock, burn, or cause death.

Ground pump before connecting to power supply. Disconnect power before working on pump, motor or tank.

⚠ Wire motor for correct voltage. See “Electrical” section of this manual and motor nameplate.

⚠ Ground motor before connecting to power supply.

⚠ Meet National Electrical Code, Canadian Electrical Code, and local codes for all wiring.

⚠ Follow wiring instructions in this manual when connecting motor to power lines.

GENERAL SAFETY

⚠ CAUTION **Do not touch an operating motor.** Modern motors are designed to operate at high temperatures. To avoid burns when servicing pump, allow it to cool for 20 minutes after shut-down before handling.

Do not allow pump or any system component to freeze. To do so will void warranty.

Pump water only with this pump.

Periodically inspect pump and system components.

Wear safety glasses at all times when working on pumps.

Keep work area clean, uncluttered and properly lighted; store properly all unused tools and equipment.

Keep visitors at a safe distance from the work areas.

Maximum pressure on shaft seal when pump is not running must be less than 75 PSI (517kPa) or seal may leak.

⚠ WARNING **Pump body may explode if used as a booster pump unless relief valve capable of passing full pump flow at 125 PSI (862 kPa) is installed.**

Thank you for purchasing a top quality, factory tested pump.

	Page
General Safety	2
Warranty	3
Installation	4
Electrical	5,6
Troubleshooting	7
Repair Parts	7

RETAIN ORIGINAL RECEIPT FOR YOUR RECORDS.

LIMITED WARRANTY

FLOTEC warrants to the original consumer purchaser ("Purchaser" or "You") of its products that they are free from defects in material and workmanship for a period of twelve (12) months from the date of the original consumer purchase.

If, within twelve (12) months from the original consumer purchase, any such product shall prove to be defective, it shall be repaired or replaced at FLOTEC's option, subject to the terms and conditions set forth below. The original purchase receipt and product warranty information label are required to determine warranty eligibility. Eligibility is based on purchase date of original product – not the date of replacement under warranty. The warranty is limited to repair or replacement of product only – Purchaser pays all removal, installation, labor, shipping, and incidental charges.

For parts or troubleshooting assistance, DO NOT return product to your retail store. Contact FLOTEC Customer Service at 1-800-365-6832.

Claims made under this warranty shall be made by returning the product (except sewage pumps, see below) to the retail outlet where it was purchased immediately after the discovery of any alleged defect. FLOTEC will subsequently take corrective action as promptly as reasonably possible. No requests for service will be accepted if received more than 30 days after the warranty expires.

SEWAGE PUMPS

DO NOT return a sewage pump (that has been installed) to your retail store. Contact FLOTEC Customer Service. Sewage pumps that have seen service and been removed carry a contamination hazard with them.

If your sewage pump has failed:

- Wear rubber gloves when handling the pump;
- For warranty purposes, return the pump's cord tag and original receipt of purchase to the retail store;
- Dispose of the pump according to local disposal ordinances.

Exceptions to the Twelve (12) Month Limited Warranty

Product	Warranty Period
Drill Pump, Pitcher Pump, In-line Water Filter Cartridge, Utility Pump (Model FP0F360AC)	90 days
1/3 HP Submersible Sump Pumps, INTELLIPUMP (Model FP0S1775A) Pool Cover Pump (Model FP0S1790PCA), Utility Pump (Model FP0S4100X) Condensate Pump (Model FPCP-20ULST), Back-up Sump Pump System (Model FP2800DCC)	2 Years
4" Submersible Well Pumps, 1/2 HP Submersible Sump Pumps 1/3 HP Sump Pump Models FPSC2200A-10 and FPSC2250A-10	3 Years
Pre-Charge Water System Tank (FP7100 Series) 1/2 HP Sump Pump Models FPSC3200A-10 and FPSC3250A-10	5 Years
Floodmate® 7000 (Model FP0S6000A), Pedestal Sump Pump (Model FPPSS5000) Sewage Ejector (Model FPSE3601A), Submersible Sewage Pump (Model FPSES2700A) Utility Pump (Model FPSC1725X), Submersible Sump Pump (Model FPSC4550A-10)	Lifetime

General Terms and Conditions

You must pay all labor and shipping charges necessary to replace product covered by this warranty. This warranty does not apply to the following: (1) acts of God; (2) products which, in FLOTEC's sole judgement, have been subject to negligence, abuse, accident, misapplication, tampering, or alteration; (3) failures due to improper installation, operation, maintenance or storage; (4) atypical or unapproved application, use or service; (5) failures caused by corrosion, rust or other foreign materials in the system, or operation at pressures in excess of recommended maximums.

This warranty sets forth FLOTEC's sole obligation and purchaser's exclusive remedy for defective products.

FLOTEC SHALL NOT BE LIABLE FOR ANY CONSEQUENTIAL, INCIDENTAL, OR CONTINGENT DAMAGES WHATSOEVER.

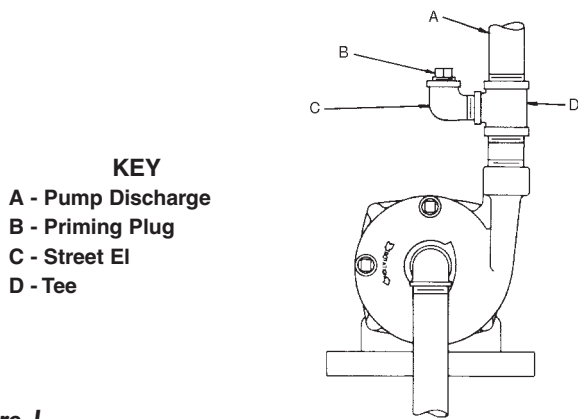
THE FOREGOING WARRANTIES ARE EXCLUSIVE AND IN LIEU OF ALL OTHER EXPRESS AND IMPLIED WARRANTIES, INCLUDING BUT NOT LIMITED TO THE IMPLIED WARRANTIES OF MERCHANTABILITY AND FITNESS FOR A PARTICULAR PURPOSE. THE FOREGOING WARRANTIES SHALL NOT EXTEND BEYOND THE DURATION PROVIDED HEREIN.

Some states do not allow the exclusion or limitation of incidental or consequential damages or limitations on how long an implied warranty lasts, so the above limitations or exclusions may not apply to You. This warranty gives You specific legal rights and You may also have other rights which vary from state to state.

FLOTEC • P.O. Box 342 • Delavan, WI U.S.A. 53115

Phone: 1-800-365-6832 • Fax: 1-800-526-3757

E-Mail: info@flotecwater.com • Web Site: <http://www.flotecwater.com>



- KEY**
A - Pump Discharge
B - Priming Plug
C - Street El
D - Tee

Figure 1

PIPING

Both suction and discharge piping should be independently supported at a point near the pump to avoid strains being placed on the pump. Start all piping at pump to avoid strains left by a gap.

It is advisable to increase the size of both suction and discharge piping at the pump if any appreciable run of pipe is required. Never use a smaller suction pipe than the suction connection on the pump. Use a pipe wrench to hold the suction and discharge bosses of the pump while making up the piping, to avoid putting excess strain on the pump.

SUCTION PIPE

The suction pipe must be kept free from air leaks. Any horizontal run of suction piping must have a gradual upslope towards the pump. Avoid any fittings which may cause an air trap. A foot valve should be installed to prevent loss of pump prime.

DISCHARGE PIPING

A gate valve and union should be installed in the discharge line. For removal of the pump for service, close the gate valve, and disconnect the union.

PRIMING THE PUMP

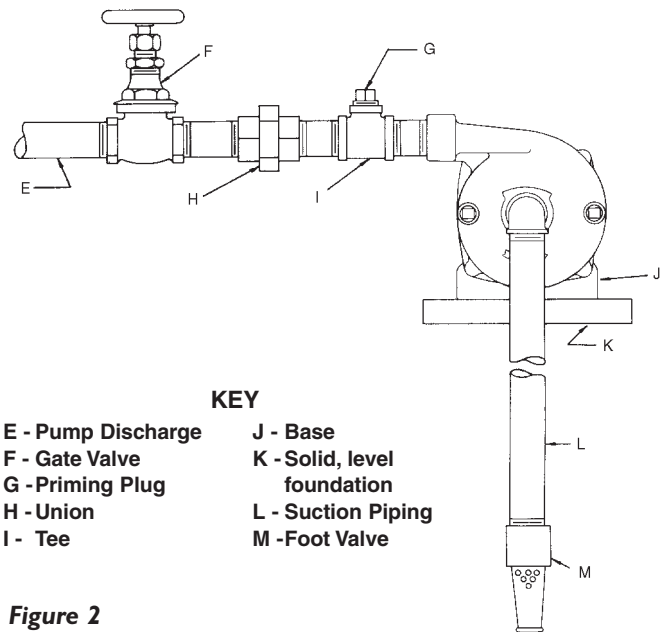
Prime pump by filling both the pump and suction line completely with water thru the priming tee. Replace

priming plug and start pump. If water is not pumped immediately it is because all the air has not been evacuated. Stop pump and reprime, following instructions above. When used with vertical discharge, the vent plug at the top should be loosened to evacuate air which is trapped inside the volute. When volute is completely filled with water, tighten vent plug.

CAUTION NEVER run pump dry. Running pump without water may cause pump to overheat, damaging seal and possibly causing burns to persons handling pump. Fill pump with water before starting.

WARNING NEVER run pump against closed discharge. To do so can boil water inside pump, causing hazardous pressure in unit, risk of explosion and possibly scalding persons handling pump.

CAUTION Motor normally operates at high temperature and will be too hot to touch. It is protected from heat damage during operation by an automatic internal cutoff switch. Before handling pump or motor, stop motor and allow it to cool for 20 minutes.



- KEY**
E - Pump Discharge
F - Gate Valve
G - Priming Plug
H - Union
I - Tee
J - Base
K - Solid, level foundation
L - Suction Piping
M - Foot Valve

Figure 2

PERFORMANCE

Model	HP	Voltage	Inlet	Discharge	Performance in GPM at Discharge Pressure Shown							
					25	30	35	40	45	50	55	Max PSI
FP5512	1/2	115/230	1-1/4"	1"	22	13	2	-	-	-	-	36
FP5522	3/4	115/230	1-1/4"	1"	31	25	21	13	-	-	-	43
FP5532	1	115/230	1-1/4"	1"	47	40	35	29	17	-	-	49
FP5542	1-1/2	115/230	1-1/4"	1"	59	52	47	40	30	15	-	51
FP5552	2	230	1-1/2"	1-1/4"	68	62	54	48	38	29	7	57

Connection diagram for dual voltage, single-phase motors. Your dual-voltage motor's terminal board (under the motor end cover) will match one of the diagrams below. Follow that diagram if necessary to convert motor to 115 Volt power.

Connect power supply wires to L1 and L2. For 3-phase motors, or if motor does not match these pictures, follow the connection diagram on the motor nameplate.

The motor is set for 230 volts when shipped.

To change the motor to use 115 volts:

1. Turn off power
2. Remove the back motor cover.

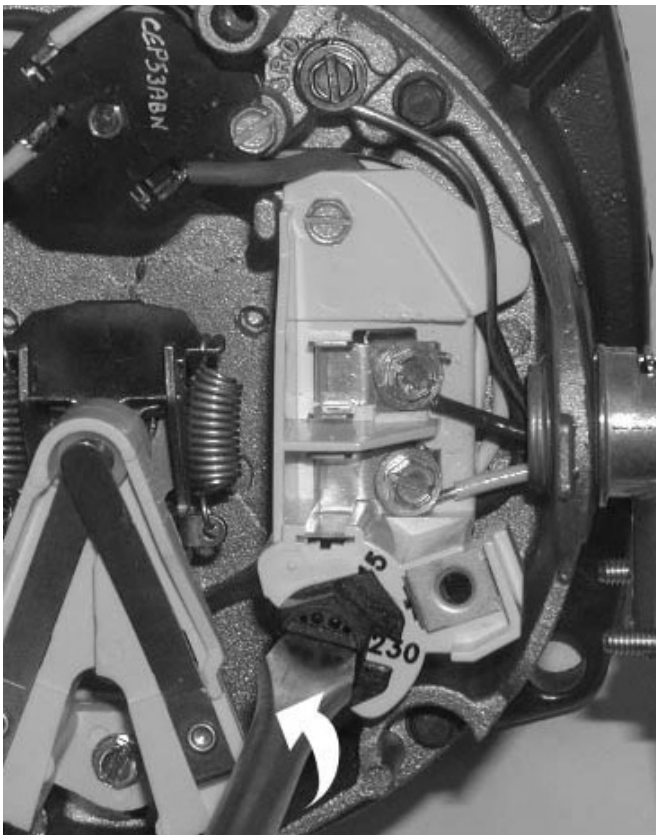


Figure 3 – Changing the Voltage Setting

3. Use a screwdriver or 1/2" wrench and turn the voltage selector dial counterclockwise until 115 shows in the dial opening.

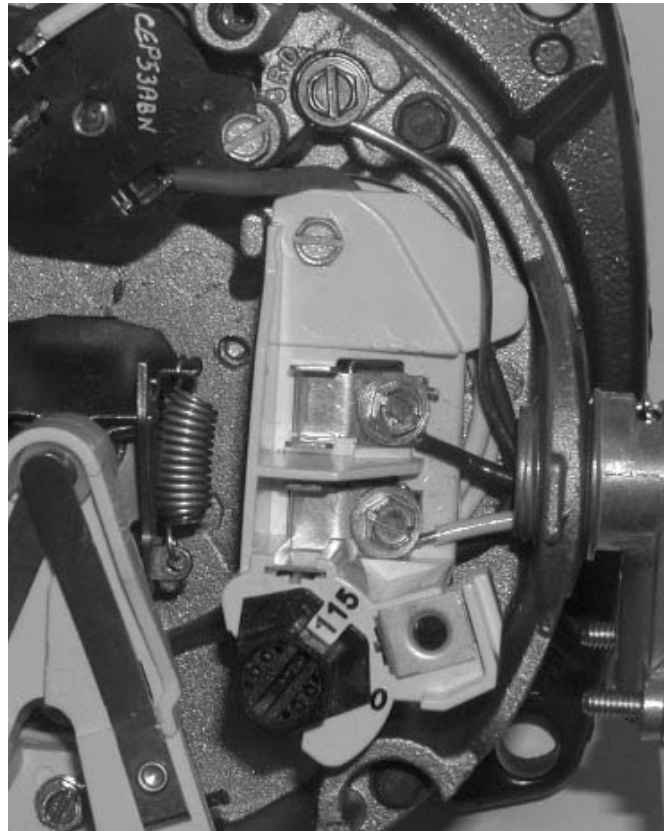


Figure 4 – Motor Set for 115 Volt Operation

4. Reinstall the motor cover.

⚠ WARNING Hazardous voltage. Can shock, burn, or cause death. Disconnect power to motor before working on pump or motor. Ground motor before connecting to power supply.

WIRING

- ⚠ Ground motor before connecting to electrical power supply. Failure to ground motor can cause severe or fatal electrical shock hazard.
- ⚠ Do not ground to a gas supply line.
- ⚠ To avoid dangerous or fatal electrical shock, turn OFF power to motor before working on electrical connections.
- ⚠ Supply voltage must be within $\pm 10\%$ of nameplate voltage. Incorrect voltage can cause fire or damage motor and voids warranty. If in doubt consult a licensed electrician.

⚠ Use wire size specified in Wiring Chart (Page 6). If possible, connect pump to a separate branch circuit with no other appliances on it.

⚠ Wire motor according to diagram on motor nameplate. If nameplate diagram differs from diagrams above, follow nameplate diagram.

- Step 1. Install, ground, wire and maintain this pump in accordance with electrical code requirements. Consult your local building inspector for information about codes.
- Step 2. Provide a correctly fused disconnect switch for protection while working on motor. Consult local or national electrical codes for switch requirements.
- Step 3. Disconnect power before servicing motor or pump. If the disconnect switch is out of sight of pump, lock it open and tag it to prevent unexpected power application.
- Step 4. Ground the pump permanently using a wire of the same size as that specified in wiring chart. Make ground connection to green grounding terminal under motor canopy marked GRD. or ⊕.
- Step 5. Connect ground wire to a grounded lead in the service panel or to a metal underground water pipe or well casing at least 10 feet long. Do not connect to plastic pipe or insulated fittings.

- Step 6. Protect current carrying and grounding conductors from cuts, grease, heat, oil, and chemicals.
- Step 7. Connect current carrying conductors to terminals L1 and L2 under motor canopy. When replacing motor, check wiring diagram on motor nameplate against Figure 3. If the motor wiring diagram does not match either diagram in Figure 3, follow the diagram on the motor.

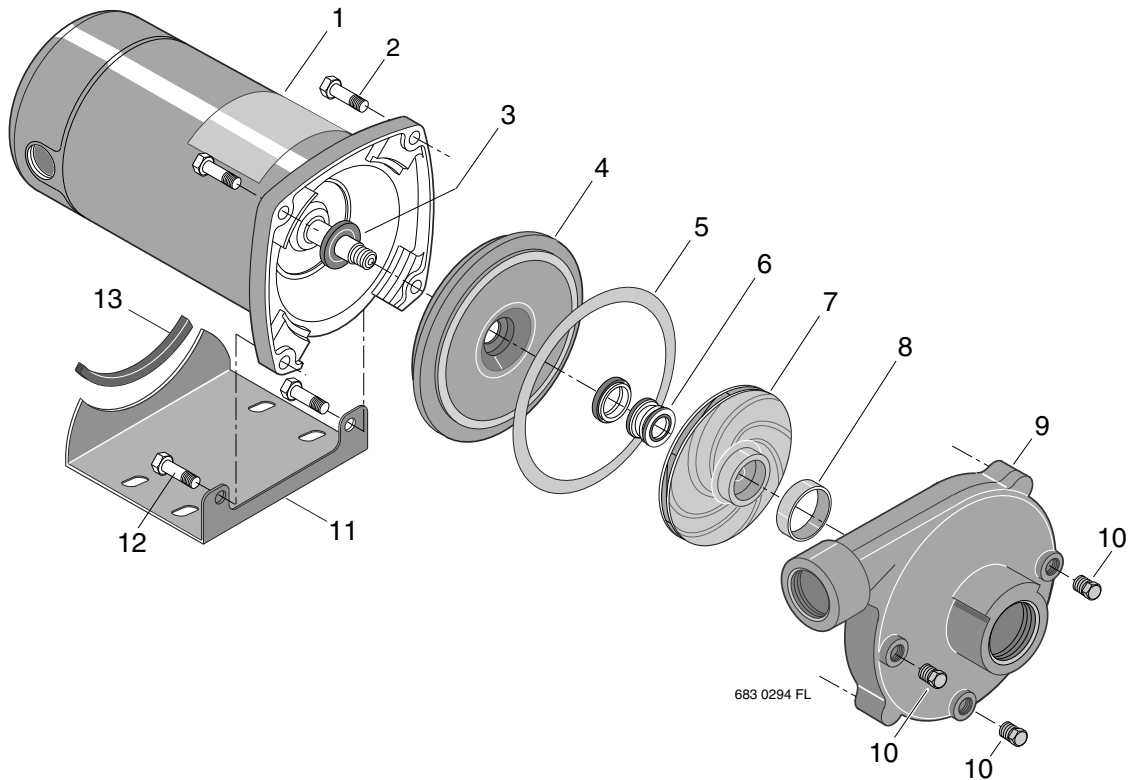
IMPORTANT: 115/230 Volt single phase models are shipped from factory with motor wired for 230 volts. If power supply is 115 volts, remove motor canopy and reconnect motor as shown in Figure 3. Do not try to run motor as received on 115 volt current.

- Step 8. Motor has automatic internal thermal overload protection. If motor has stopped for unknown reasons, thermal overload may restart it unexpectedly, which could cause injury or property damage. Disconnect power before servicing motor.
- Step 9. If this procedure or the wiring diagrams are confusing, consult a licensed electrician.

Wiring Chart – Recommended Wire and Fuse Sizes

Motor HP	Volts	Max. Load Amp	Branch Fuse Rating Amp	DISTANCE IN FEET(METERS) FROM MOTOR TO SUPPLY				
				0 - 100 (0 - 30)	101 - 200 (31 - 61)	201 - 300 (62 - 91)	301 - 400 (92 - 122)	401 - 500 (123 - 152)
				AWG WIRE SIZE (mm ²)				
1/2	115/230	9.4/4.7	15/15	14/14 (2/2)	10/14 (5.5/2)	10/14 (5.5/2)	6/14 (14/2)	6/12 (14/3)
3/4	115/230	12.2/6.1	20/15	12/14 (3/2)	10/14 (5.5/2)	8/14 (8.4/2)	6/12 (14/3)	6/12 (14/3)
1	115/230	14.8/7.4	20/15	12/14 (3/2)	8/14 (8.4/2)	6/14 (14/2)	6/12 (14/3)	4/10 (21/5.5)
1-1/2	115/230	19.2/9.6	30/15	10/14 (5.5/2)	8/14 (8.4/2)	6/12 (14/3)	4/10 (21/5.5)	4/10 (21/5.5)
2	115/230	24.0/12.0	30/15	10/14 (5.5/2)	6/14 (14/2)	6/12 (14/3)	4/10 (21/5.5)	4/10 (21/5.5)

SYMPTOM	POSSIBLE CAUSE(S)	CORRECTIVE ACTION
Failure to pump	Pump not properly primed	Make sure pump casing and suction line are full of water. See priming instructions
Reduced capacity and/or pressure	Air pockets or leaks in suction line Clogged impeller	Check suction piping Remove and clean
Pump loses prime	Air leaks in suction line Excessive suction lift and operating too near shut-off point Water level drops while pumping, uncovering suction piping	Check suction piping Move pump nearer water level Check water supply. Add length of pipe to suction to keep submerged end under water
Mechanical troubles and noises	Bent shaft and/or damaged bearings Suction and/or discharge piping not properly supported and anchored	Take motor to authorized motor repair shop See that all piping is supported to relieve strain on pump assembly



Repair Parts List

Key No.	Part Description	Qty.	FP5512-08 1/2 HP	FP5522-08 3/4 HP	FP5532-08 1 HP	FP5542-08 1-1/2 HP	FP5552-08 2 HP
1	Motor - 115/230V, 60 Cycle - Single Phase	1	A100CLL	A100DLL	A100ELL	A100FLL	A100GSL
2	Capscrew - 3/8 - 16 x 1-1/4" Lg.	2	U30-75ZP	U30-75ZP	U30-75ZP	U30-75ZP	—
2	Capscrew - 3/8 - 16 x 1" Lg.	2	—	—	—	—	U30-74ZP
3	Waster Slinger	1	17351-0009	17351-0009	17351-0009	17351-0009	17351-0009
4	Seal Plate	1	C3-1042P	C3-1042P	C3-1042P	C3-1042P	C3-181
5	Gasket	1	C20-121	C20-121	C20-121	C20-121	C20-122
6	Shaft Seal	1	U109-6A	U109-6A	U109-6A	U109-6A	U109-6A
7	Impeller	1	C105-92PN	C105-92PM	C105-92PL	C105-92PB	C105-214PCA
8	Wear Ring	1	C23-27	C23-27	C23-27	C23-27	C23-19
9	Volute Assembly - With Wear Ring	1	C101-284E	C101-284E	C101-284E	C101-284E	C101-264E
10	Pipe Plug - 1/4" NPT, Hex Head	3	U78-941ZPV	U78-941ZPV	U78-941ZPV	U78-941ZPV	U78-941ZPV
11	Base - With Motor Pad	1	J204-9	J204-9	J204-9	J204-9	J104-9
12	Capscrew - 3/8 - 16 x 1-1/2" Lg.	2	U30-76ZP	U30-76ZP	U30-76ZP	U30-76ZP	—
12	Capscrew - 3/8 - 16 x 1-1/4" Lg.	2	—	—	—	—	U30-75ZP
13	Motor Pad	1	C35-5	C35-5	C35-5	C35-5	C35-5

LIRE TOUTES CES INSTRUCTIONS ET LES SUIVRE!

⚠ Ce symbole indique qu'il faut être prudent.
Lorsque ce symbole apparaît sur la pompe ou dans cette Notice, rechercher une des mises en garde qui suivent, car elles indiquent un potentiel possible de blessures corporelles :

⚠ DANGER avertit d'un danger **qui causera** des blessures corporelles, la mort ou des dommages matériels importants si on l'ignore.

⚠ AVERTISSEMENT avertit d'un danger **qui risque** de causer des blessures corporelles, la mort ou des dommages matériels importants si on l'ignore.

⚠ ATTENTION avertit d'un danger qui **causera** ou qui **risquera** de causer des blessures corporelles, la mort ou des dommages matériels importants si on l'ignore.

Le mot **NOTA** indique des instructions spéciales et importantes n'ayant aucun rapport avec les dangers.

Lire attentivement toutes les consignes de sécurité contenues dans cette Notice ou collées sur la pompe.

Garder les autocollants de sécurité en bon état; les remplacer s'ils manquent ou s'ils ont été endommagés.

SÉCURITÉ CONCERNANT L'ÉLECTRICITÉ

⚠ AVERTISSEMENT La tension du condensateur peut être dangereuse. Pour décharger le condensateur du moteur, tenir un tournevis à manche isolé **PAR LE MANCHE** et mettre en court-circuit les bornes du condensateur. Ne pas toucher la lame métallique du tournevis ni les bornes du condensateur. En cas de doute, consulter un électricien qualifié.

⚠ AVERTISSEMENT



Tension dangereuse. Risque de secousses électriques, de brûlures, voire de mort.

Mettre à la terre la pompe avant de la brancher sur le courant électrique. Couper l'arrivée de courant avant d'intervenir sur la pompe, sur le moteur ou sur le réservoir.

⚠ Câbler le moteur en fonction de la bonne tension. Voir la Section «Électricité» de cette Notice et la plaque signalétique du moteur.

⚠ Mettre à la terre le moteur avant de le brancher sur le courant électrique.

⚠ Conforme au Code national de l'électricité, au Code canadien de l'électricité et aux codes municipaux pour tous les câblages.

⚠ Respecter les instructions de câblage figurant dans cette Notice lorsque l'on branche le moteur sur une ligne haute tension.

SÉCURITÉ GÉNÉRALE

⚠ ATTENTION Ne pas toucher un moteur qui fonctionne.

Les moteurs modernes sont conçus pour fonctionner par des températures élevées. Pour ne pas se brûler lorsque l'on interviendra sur la pompe, la laisser refroidir pendant 20 minutes après l'avoir arrêtée avant de la toucher.

Ne pas laisser geler la pompe ni aucun autre élément du système, sinon la garantie sera annulée.

Ne pomper que de l'eau avec cette pompe.

Périodiquement, inspecter la pompe et tous les éléments du système.

Toujours porter des lunettes de sécurité lorsque l'on intervient sur une pompe.

Garder la zone de travail propre, non encombrée et bien éclairée; tous les outils et tout l'équipement non utilisés doivent être entreposés correctement.

Ne pas laisser les visiteurs s'approcher de la zone de travail.

La pression maximum sur le joint de l'arbre lorsque la pompe ne fonctionne pas doit être inférieure à 75 lb/po² (517 kPa), sinon le joint risque de fuir.

⚠ AVERTISSEMENT Le corps de la pompe peut exploser si la pompe est utilisée en tant que pompe de surpression, à moins qu'une soupape de sûreté pouvant laisser passer le débit maximum de la pompe à 125 lb/po² (862 kPa) soit posée.

Merci d'avoir acheté une pompe de qualité supérieure mise à l'essai à l'usine.

	Page
Sécurité	8
Garantie.....	9
Installation	10
Électricité	11,12
Diagnostic des pannes	13
Pièces de rechange	13

CONSERVER L'ORIGINAL DU REÇU POUR TOUTE RÉFÉRENCE ULTÉRIEURE.

GARANTIE LIMITÉE

FLOTEC garantit à l'acheteur/au consommateur d'origine (l'Acheteur) que ses produits sont exempts de tout vice de matériau et de fabrication. Cette garantie est valable pendant douze (12) mois à partir de la date d'achat d'origine.

Si, dans les douze (12) mois suivant la date d'achat d'origine, un produit se révèle défectueux, il sera réparé ou remplacé, à la discrétion de FLOTEC, conformément aux modalités et conditions exposées ci-dessous. Le reçu de l'achat d'origine et l'étiquette d'information sur la garantie sont requis pour déterminer la recevabilité de la réclamation au titre de la garantie. La recevabilité de la réclamation se base sur la date de l'achat d'origine du produit, et non sur la date d'un éventuel remplacement sous garantie. La garantie est limitée à la réparation ou au remplacement du produit uniquement. L'Acheteur assume les frais de retrait, d'installation, de transport et tous les frais accessoires.

Pour obtenir des pièces ou de l'aide technique, NE PAS retourner le produit au détaillant. Contacter le service à la clientèle de FLOTEC au 1-800-365-6832.

Les réclamations au titre de cette garantie doivent être effectuées en retournant le produit (à l'exception des pompes d'eaux d'égout, voir ci-dessous) au détaillant où il a été acheté, et ce, immédiatement après la découverte de la défaillance supposée. FLOTEC prendra les mesures correctives nécessaires dans un délai rapide et raisonnable. Aucune demande de réparation ne sera acceptée plus de 30 jours après l'expiration de la garantie.

POMPES D'EAUX D'ÉGOUT

NE PAS RETOURNER une pompe d'eaux d'égout (qui a été installée) au détaillant. Communiquer avec le service à la clientèle de FLOTEC. Les pompes d'eaux d'égout qui ont été utilisées, puis retirées présentent un risque de contamination.

En cas de défaillance de la pompe d'eaux d'égout :

- Porter des gants en caoutchouc pour manipuler la pompe.
- À des fins de garantie, retourner l'étiquette figurant sur le cordon de la pompe et l'original du reçu au détaillant.
- Mettre la pompe au rebut conformément à la réglementation locale.

Exceptions à la garantie limitée de douze (12) mois

Produit	Période de garantie
Pompe adaptable sur perceuse, pompe d'amorçage, cartouche de filtre à eau en ligne Pompe à usage général (modèle FP0F360AC)	90 jours
Pompes de puisard submersibles de 1/3 CV, INTELLIPUMP (modèle FP0S1775A) Pompe pour couverture de piscine (modèle FP0S1790PCA), Pompe à usage général (modèle FP0S4100X) Pompe de récupération des eaux condensées (modèle FPCP-20ULST) Système de pompage de secours de puisard de soutien (modèle FP2800DCC)	2 ans
Pompes de puits submersibles de 10,2 cm (4 po), Pompes de puisard submersibles de 1/2 CV Pompes de puisard submersibles de 1/3 CV, modèles FPSC2200A-10 et FPSC2250A-10	3 ans
Réservoir préchargé de système d'eau (gamme FP7100) Pompes de puisard submersibles de 1/2 CV, modèles FPSC3200A-10 et FPSC3250A-10	5 ans
Floodmate® 7000 (modèle FP0S6000A), pompe sur colonne de puisard (modèle FPPSS5000) Éjecteur d'eaux d'égout (modèle FPSE3601A), Pompe d'eaux d'égout submersible (modèle FPSES2700A)) Pompe à usage général (modèle FPSC1725X), Pompe de puisard submersible (modèle FPSC4550A-10)	À vie

Modalités et conditions générales

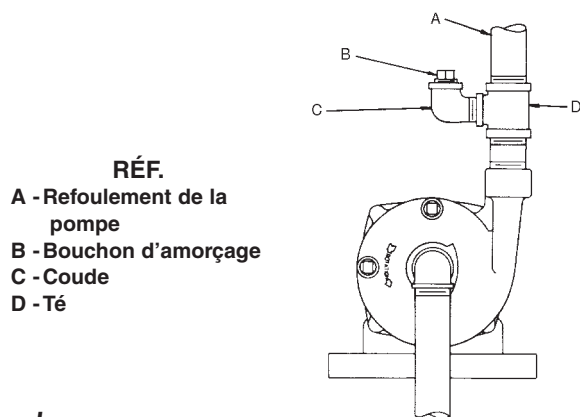
L'Acheteur doit payer tous les frais de main d'œuvre et de transport nécessaires au remplacement du produit garanti couvert par cette garantie. Cette garantie ne s'applique pas à ce qui suit : (1) Les catastrophes naturelles; (2) Les produits qui, selon FLOTEC, ont fait l'objet d'une négligence, d'une utilisation abusive, d'un accident, d'une mauvaise application ou d'une altération; (3) Les défaillances dues à une installation, une utilisation, un entretien ou un entreposage inappropriés; (4) Une application, une utilisation ou une réparation atypique ou non approuvée; (5) Les défaillances causées par la corrosion, la rouille ou d'autres matériaux étrangers au système, ou par une utilisation à une pression supérieure au maximum recommandé.

Cette garantie établit la responsabilité unique de FLOTEC et le recours exclusif de l'Acheteur en cas de produit défectueux.

FLOTEC NE POURRA ÊTRE TENUE RESPONSABLE DE TOUT DOMMAGE INDIRECT OU CONSÉCUTIF QUEL QU'IL SOIT.

LES PRÉSENTES GARANTIES SONT EXCLUSIVES ET REMPLACENT TOUTE AUTRE GARANTIE EXPRESSE OU IMPLICITE, Y COMPRIS, MAIS SANS S'Y LIMITER, CELLE DE QUALITÉ MARCHANDE OU D'APTITUDE DU PRODUIT À UN EMPLOI PARTICULIER. LES PRÉSENTES GARANTIES NE PEUVENT SE PROLONGER AU-DELÀ DE LA PÉRIODE DE GARANTIE INDIQUÉE ICI.

Certains États ne permettent pas l'exclusion ou la limitation des dommages indirects ou consécutifs, ni les limitations relatives à la durée des garanties implicites. Par conséquent, il se peut que les limitations ou les exclusions ci-dessus ne s'appliquent pas. Cette garantie procure des droits juridiques précis à l'Acheteur. Cependant, il est possible de bénéficier d'autres droits, qui varient selon l'État.



- RÉF.**
A - Refoulement de la pompe
B - Bouchon d'amorçage
C - Coude
D - Té

Figure 1

TUYAUTERIE

Les tuyauteries d'aspiration et de refoulement doivent être indépendamment supportées près de la pompe pour éviter les contraintes exercées sur la pompe. Commencer à poser les tuyauteries côté pompe pour éviter les contraintes que pourrait causer un écart.

Il est conseillé d'augmenter le diamètre des tuyauteries d'aspiration et de refoulement côté pompe si la tuyauterie doit atteindre une certaine longueur. Ne jamais utiliser un tuyau d'aspiration d'un diamètre plus petit que le diamètre du raccord côté pompe. Utiliser une clé à tuyau pour immobiliser les bossages d'aspiration et de refoulement de la pompe pendant que l'on branche la tuyauterie et ceci pour éviter toute contrainte excessive sur la pompe.

TUYAU D'ASPIRATION

Le tuyau d'aspiration ne doit pas comporter de prises d'air. Toute longueur horizontale de tuyau d'aspiration doit avoir une pente progressive vers la pompe. Éviter les raccords risquant de causer une poche d'air. Un clapet de pied doit être posé pour éviter le désamorçage de la pompe.

TUYAU DE REFOULEMENT

Un robinet-vanne et un raccord union doivent être posés sur la conduite de refoulement. Pour déposer la pompe et l'entretenir, fermer le robinet-vanne et déposer le raccord union.

AMORÇAGE DE LA POMPE

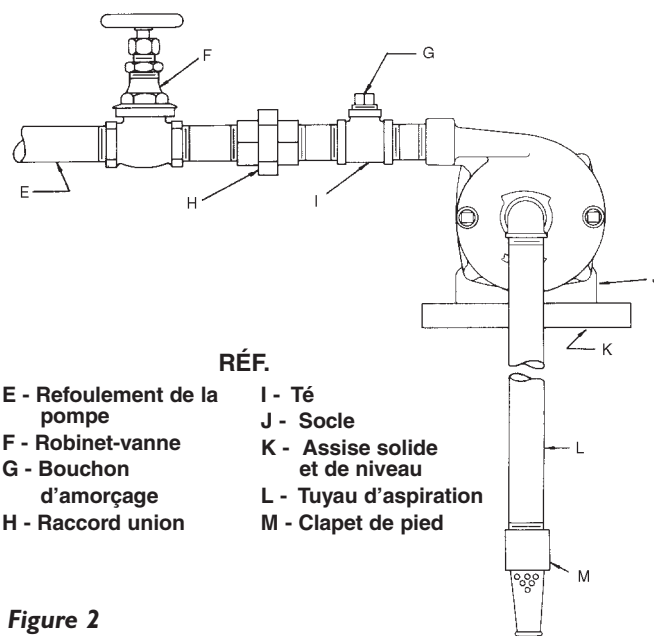
Amorcer la pompe en remplissant complètement la pompe et la canalisation d'aspiration par le té d'amorçage. Reposer le bouchon d'amorçage et démarrer la pompe. Si l'eau n'est pas immédiatement pompée, tout l'air n'a pas été évacué du

système. Arrêter la pompe et la réamorcer en respectant les instructions ci-dessus. Lorsqu'utilisé avec un refoulement vertical, le bouchon d'aération qui se trouve en haut doit être desserré de façon à chasser l'air emprisonné dans la volute. Lorsque la volute est complètement remplie d'eau, resserrer le bouchon d'aération.

▲ ATTENTION NE JAMAIS faire fonctionner la pompe à sec. Une pompe qui tourne sans eau risque de surchauffer, la bague d'étanchéité risque d'être endommagée et les personnes qui manipuleront la pompe risquent de se brûler. Faire le plein de la pompe avant de la démarrer.

▲ AVERTISSEMENT NE JAMAIS faire fonctionner la pompe si le refoulement est fermé, sinon l'eau risque de bouillir dans la pompe et les pressions dangereuses qui s'accumuleraient risqueraient de faire exploser la pompe et d'ébouillanter les personnes qui la manipuleront.

▲ ATTENTION Le moteur fonctionne normalement par des températures élevées et il sera trop chaud pour qu'on le touche. Pendant qu'il fonctionne, il est protégé contre les dommages que pourrait causer la chaleur par un disjoncteur interne à déclenchement automatique. Avant de manipuler la pompe ou le moteur, arrêter le moteur et le laisser refroidir pendant 20 minutes.



- RÉF.**
E - Refoulement de la pompe
F - Robinet-vanne
G - Bouchon d'amorçage
H - Raccord union
I - Té
J - Socle
K - Assise solide et de niveau
L - Tuyau d'aspiration
M - Clapet de pied

Figure 2

RENDEMENT

Modèle	CV	Tension	Admiss.	Refoulement	Rendement en gal/min aux pressions de refoulement indiquées								
					25	30	35	40	45	50	55	Lb/po ² max.	
FP5512	1/2	115/230	1-1/4 po	1 po	22	13	2	-	-	-	-	-	36
FP5522	3/4	115/230	1-1/4 po	1 po	31	25	21	13	-	-	-	-	43
FP5532	1	115/230	1-1/4 po	1 po	47	40	35	29	17	-	-	-	49
FP5542	1-1/2	115/230	1-1/4 po	1 po	59	52	47	40	30	15	-	-	51
FP5552	2	230	1-1/2 po	1-1/4 po	68	62	54	48	38	29	7	-	57

Schéma de connexion des moteurs monophasés bitension. La plaquette de connexion (qui se trouve sous le couvercle d'extrémité du moteur) des moteurs bitension doit correspondre à un des schémas ci-dessous. Au besoin, suivre le schéma pour convertir un moteur pour qu'il fonctionne sur le 115 volts.

Brancher les fils de tension sur L1 et L2. Dans le cas des moteurs triphasés, ou si le moteur ne correspond pas à ces illustrations, suivre le schéma de connexion de la plaque signalétique du moteur.

À l'expédition, le moteur est réglé pour fonctionner sur le 230 volts.

Pour changer la tension du moteur sur le 115 volts, procédez comme suit :

1. Couper l'alimentation.
2. Déposer le couvercle arrière du moteur.

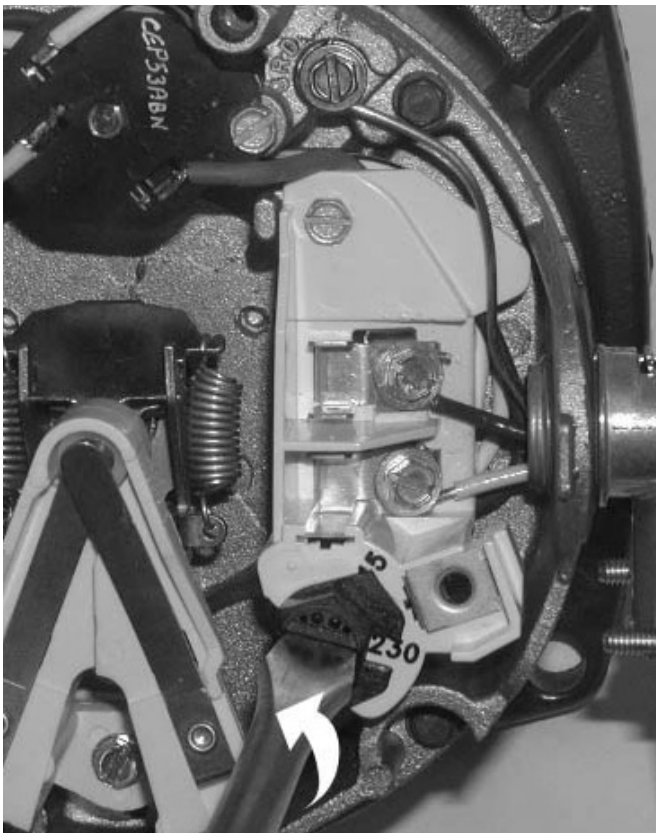


Figure 3 – Modification au réglage de la tension

3. Utiliser un tournevis ou une clé de 7 po et tourner le cadran du sélecteur de tension vers la gauche jusqu'à ce que la valeur 115 soit affichée dans l'ouverture du cadran.

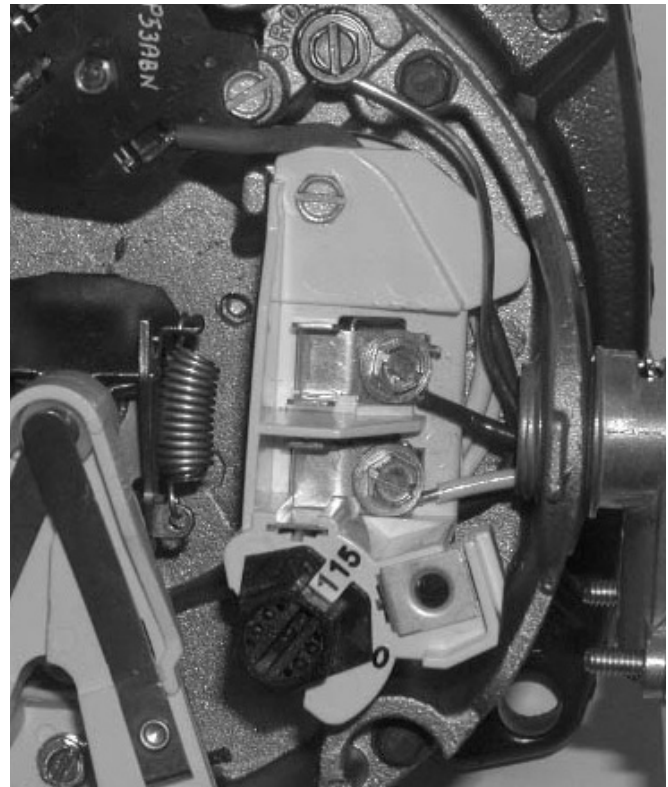


Figure 4 - Moteur réglé pour fonctionner sur le 115 volts

4. Reposer de nouveau le couvercle du moteur.

⚠ AVERTISSEMENT Tension dangereuse. Risque de secousses électriques, de brûlures, voire de mort. Débrancher le moteur avant d'intervenir sur la pompe ou sur le moteur. Mettre le moteur à la terre avant de le brancher sur le courant d'alimentation.

CÂBLAGE

⚠ Mettre le moteur à la terre avant de le brancher sur le courant électrique. Ne pas mettre le moteur à la terre risque de causer des secousses électriques graves, voire mortelles.

⚠ Ne pas mettre à la terre sur une conduite d'alimentation en gaz.

⚠ Pour éviter les secousses électriques dangereuses, voire mortelles, couper le courant alimentant le moteur avant d'intervenir sur les connexions électriques.

⚠ La tension d'alimentation doit correspondre à $\pm 10\%$ de la tension indiquée sur la plaque signalétique. Une mauvaise tension risque de causer un incendie ou d'endommager le moteur et d'annuler la garantie. En cas de doute, s'adresser à un électricien qualifié.

⚠ Utiliser des fils d'après les diamètres spécifiés dans le Tableau de câblage (page 12). Dans la mesure du possible, brancher la pompe sur un circuit séparé sur lequel aucun autre appareil ne sera branché.

⚠ Câbler le moteur conformément au schéma figurant sur la plaque signalétique du moteur. Si le schéma de la plaque signalétique du moteur diffère de ceux ci-dessus, suivre le schéma de la plaque signalétique.

- 1 ° Cette pompe doit être installée, mise à la terre, câblée et entretenue conformément aux Codes de l'électricité. S'adresser à un inspecteur de la construction pour plus de renseignements concernant les codes.
- 2 ° Pour être protégé pendant que l'on intervient sur le moteur, prévoir un sectionneur équipé d'un fusible adéquat. Consulter les Codes de l'électricité de la municipalité et du Canada en ce qui concerne les sectionneurs.
- 3 ° Couper le courant avant d'intervenir sur la pompe ou sur le moteur. Si le sectionneur n'est pas visible de la pompe, le verrouiller en position ouverte et l'étiqueter pour empêcher que le courant puisse être rétabli accidentellement.
- 4 ° La pompe doit être mise à la terre en permanence à l'aide d'un fil du même diamètre que celui spécifié dans le tableau de câblage. Procéder au raccordement de mise à la terre sur la borne de terre verte qui se trouve sous le carter du moteur et repérée GRD ou ⊕.
- 5 ° Brancher le fil de mise à la terre sur un fil de mise à la terre du tableau de distribution ou sur un tuyau d'eau

métallique enterré ou sur le tubage d'un puits ayant au moins 10 pieds de long. Ne pas brancher sur un tuyau en plastique ou sur des raccords isolés.

- 6 ° Protéger les conducteurs transporteurs de courant mis à la terre contre les coupures, la graisse, la chaleur, l'huile et les produits chimiques.
- 7 ° Brancher les conducteurs transporteurs de courant sur les bornes L1 et L2 qui se trouvent sous le carter du moteur. Lorsque l'on remplace le moteur, comparer le schéma de câblage de la plaque signalétique par rapport à la Figure 3. Si le schéma de câblage du moteur ne correspond pas au schéma de la Figure 3, suivre le schéma de câblage du moteur.

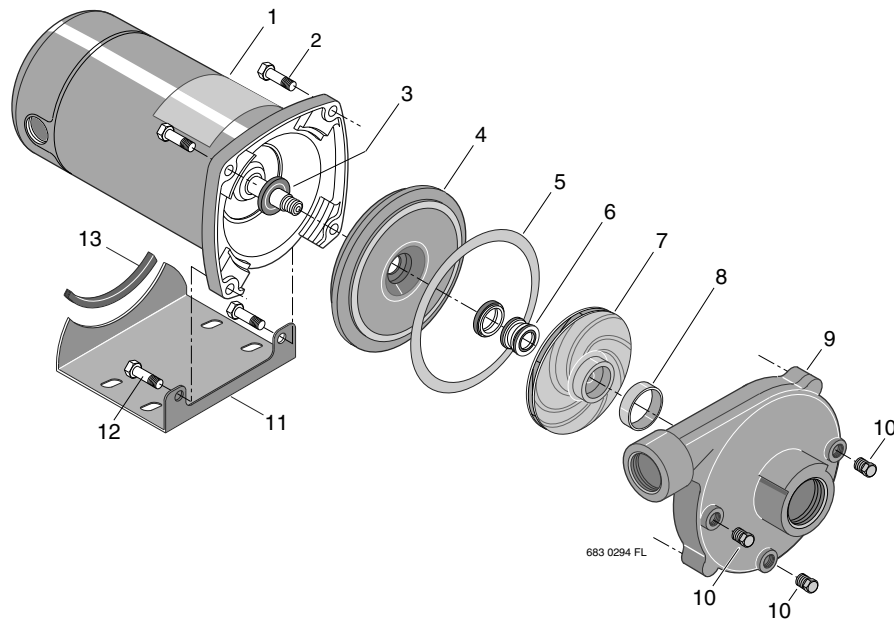
IMPORTANT : Les modèles monophasés fonctionnant sur le 115/230 volts sont expédiés de l'usine câblés pour fonctionner sur le 230 volts. Si le courant d'alimentation est de 115 volts, déposer le carter du moteur et rebrancher le moteur comme il est illustré à la Figure 3. Ne pas essayer de faire fonctionner un moteur comme il est reçu sur le courant de 115 volts.

- 8 ° Le moteur comporte une protection interne automatique contre les surcharges thermiques. Si, pour une raison inconnue, le moteur cesse de fonctionner, le protecteur contre les surcharges thermiques risque de redémarrer inopinément, ce qui risque de causer des blessures ou des dommages matériels. Toujours couper le courant avant d'intervenir sur le moteur.
- 9 ° Si cette méthode de schéma de câblage porte à confusion, consulter un électricien qualifié.

Tableau de câblage - Câbles et diamètres des fusibles recommandés

Puissance du moteur en ch	Tension	Charge max. en ampères	Fusible Intensité en ampères	DISTANCE EN PIEDS ENTRE LE MOTEUR ET LE COURANT D'ALIMENTATION				
				0 - 100 (0 - 30)	101 - 200 (31 - 61)	201 - 300 (62 - 91)	301 - 400 (92 - 122)	401 - 500 (123 - 152)
				DIAMÈTRE DU FIL -CALIBRE AWG (mm²)				
1/2	115/230	9,4/4,7	15/15	14/14 (2/2)	10/14 (5,5/2)	10/14 (5,5/2)	6/14 (14/2)	6/12 (14/3)
3/4	115/230	12,2/6,1	20/15	12/14 (3/2)	10/14 (5,5/2)	8/14 (8,4/2)	6/12 (14/3)	6/12 (14/3)
1	115/230	14,8/7,4	20/15	12/14 (3/2)	8/14 (8,4/2)	6/14 (14/2)	6/12 (14/3)	4/10 (21/5,5)
1-1/2	115/230	19,2/9,6	30/15	10/14 (5,5/2)	8/14 (8,4/2)	6/12 (14/3)	4/10 (21/5,5)	4/10 (21/5,5)
2	115/230	24,0/12,0	30/15	10/14 (5,5/2)	6/14 (14/2)	6/12 (14/3)	4/10 (21/5,5)	4/10 (21/5,5)

SYMPTÔMES	CAUSES PROBABLES	REMÈDES
Panne de la pompe	La pompe est mal amorcée	S'assurer que le corps de la pompe et que la canalisation d'aspiration sont pleins d'eau. Se reporter aux instructions d'amorçage
Capacités et/ou pression réduites	Poches d'air ou prises d'air dans la canalisation d'aspiration Impulseur colmaté	Vérifier la tuyauterie d'aspiration Le déposer et le nettoyer
La pompe se désamorçe	Prises d'air dans la canalisation d'aspiration Hauteur d'aspiration excessive et fonctionnement trop près du point d'arrêt Le niveau d'eau chute pendant le pompage, découvrant la tuyauterie d'aspiration	Vérifier la tuyauterie d'aspiration Déplacer la pompe plus près du niveau d'eau Vérifier l'alimentation en eau. Rallonger le tuyau d'aspiration de façon à garder son extrémité immergée dans l'eau
Bruits et incidents mécaniques	Arbre cintré et/ou paliers endommagés Tuyauterie d'aspiration et/ou de refoulement mal supportée et mal ancrée	Faire réparer le moteur par un atelier agréé S'assurer que toutes les tuyauteries sont supportées de façon à dissiper toute contrainte sur la pompe



Liste Des Pièces De Rechange

N° de réf.	Désignation des pièces	Qté	FP5512-00 1/2 CV	FP5522-00 3/4 CV	FP5532-00 1 CV	FP5542-00 1-1/2 CV	FP5552-00 2 CV
1	Moteur - 115/230 volts, 60 cycles - monophasé	1	A100CLL	A100DLL	A100ELL	A100FLL	A100GSL
2	Vis à tête six pans - 3/8 - 16 x 1-1/4 po de long	2	U30-75ZP	U30-75ZP	U30-75ZP	U30-75ZP	—
2	Vis à tête six pans - 3/8 - 16 x 1 po de long	2	—	—	—	—	U30-74ZP
3	Déflecteur	1	17351-0009	17351-0009	17351-0009	17351-0009	17351-0009
4	Plaque d'étanchéité	1	C3-1042P	C3-1042P	C3-1042P	C3-1042P	C3-181
5	Joint	1	C20-121	C20-121	C20-121	C20-121	C20-122
6	Joint d'arbre	1	U109-6A	U109-6A	U109-6A	U109-6A	U109-6A
7	Impulseur	1	C105-92PN	C105-92PM	C105-92PL	C105-92PB	C105-214PCA
8	Bague d'usure	1	C23-27	C23-27	C23-27	C23-27	C23-19
9	Volute - Avec bague d'usure	1	C101-284E	C101-284E	C101-284E	C101-284E	C101-264E
10	Bouchon fileté à tête hexagonale de 1/4 de po NPT	3	U78-941ZPV	U78-941ZPV	U78-941ZPV	U78-941ZPV	U78-941ZPV
11	Socle - Avec amortisseur du moteur	1	J204-9	J204-9	J204-9	J204-9	J104-9
12	Vis à tête six pans - 3/8 - 16 x 1-1/2 po de long	2	U30-76ZP	U30-76ZP	U30-76ZP	U30-76ZP	—
12	Vis à tête six pans - 3/8 - 16 x 1-1/4 po de long	2	—	—	—	—	U30-75ZP
13	Amortisseur du moteur	1	C35-5	C35-5	C35-5	C35-5	C35-5

LEA Y SIGA LAS INSTRUCCIONES DE SEGURIDAD!

⚠ Este es el símbolo de alerta de seguridad. Cuando usted vea este símbolo en su bomba o en este manual, busque alguna de las siguientes palabras de advertencia y esté alerta a la posibilidad de una herida personal:

⚠ PELIGRO advierte acerca de los peligros que **ocasionarán** lesiones personales serias, la muerte o un daño severo a la propiedad si se ignoran dichos peligros.

⚠ ADVERTENCIA advierte acerca de los peligros que **pueden** ocasionar lesiones personales serias, la muerte o un daño severo a la propiedad si se ignoran dichos peligros.

⚠ PRECAUCIÓN advierte acerca de los peligros que **ocasionarán** o **podrán** ocasionar lesiones personales menores o daños a la propiedad si se ignoran dichos peligros.

La etiqueta **AVISO** indica instrucciones especiales que son importantes pero no relacionados a los peligros.

Lea y siga cuidadosamente todas las instrucciones de seguridad en este manual y en la bomba.

Mantenga las etiquetas de seguridad en buenas condiciones.

Reemplace las etiquetas de seguridad faltantes o dañadas.

SEGURIDAD ELECTRICA

⚠ ADVERTENCIA El voltaje del capacitor puede ser peligroso. Para descargar el capacitor del motor, tome un desatornillador con mango aislado **POR EL MANGO** y ponga en corto las terminales del capacitor. No toque la superficie de metal del desatornillador ni las terminales del capacitor. Si tiene alguna duda, consulte a un electricista calificado.

⚠ ADVERTENCIA



Voltaje peligroso. Puede ocasionar conmoción, quemaduras e incluso la muerte.

Conecte la bomba a tierra antes de conectarla a la alimentación eléctrica. Desconecte la alimentación de energía antes de trabajar en la bomba, el motor o el tanque.

⚠ Conecte el motor al voltaje correcto. Vea la sección "Electricidad" en este manual y la placa del motor.

⚠ Conecte el motor a tierra antes de conectarlo a la alimentación de energía.

⚠ Cumpla con las indicaciones del Código Nacional Eléctrico, el de Canadá y los códigos locales para toda la conexión eléctrica.

⚠ Siga las instrucciones de conexión eléctrica en este manual al conectar el motor a las líneas de energía eléctrica.

SEGURIDAD GENERAL

⚠ PRECAUCIÓN **No toque un motor en operación.** Los motores modernos están diseñados para operar a temperaturas altas. Para evitar quemaduras al realizar el servicio a una bomba, déjela enfriar por 20 minutos después de apagarla.

No permita que la bomba o cualquier componente del sistema se congele. Hacerlo invalidará la garantía.

Utilice esta bomba sólo para agua.

Inspeccione la bomba y los componentes del sistema periódicamente.

Utilice gafas de seguridad durante todo el tiempo mientras trabaje en la bomba.

El área de trabajo se debe mantener limpia, ordenada y con iluminación adecuada; guarde las herramientas y el equipo que no utilice en el lugar apropiado.

Mantenga a los visitantes a una distancia segura de las áreas de trabajo.

La presión máxima en el obturador del eje cuando la bomba no esté funcionando debe ser menor que 75 psi (517 kPa) o existe la posibilidad de fugas desde el obturador.

⚠ ADVERTENCIA **El cuerpo de la bomba puede explotar si se utiliza como una bomba propulsora a menos que se instale una válvula de alivio que sea capaz de pasar todo el flujo de la bomba a 125 PSI (862 kPa).**

Gracias por adquirir una bomba de calidad superior que ya ha sido probada en la fábrica.

	Página
Seguridad General	14
Garantía.....	15
Instalación	16
Electricidad.....	17,18
Solución de Problemas	19
Refacciones	19

GUARDE EL RECIBO ORIGINAL PARA CUALQUIER REFERENCIA POSTERIOR.

GARANTÍA LIMITADA

FLOTEC le garantiza al comprador consumidor original (el "Comprador" o "Usted") de sus productos, que éstos estarán libres de defectos en materiales y en mano de obra por un período de doce (12) meses, a partir de la fecha de la compra original del consumidor.

Si dentro de los doce (12) meses a partir de la fecha de la compra inicial del consumidor, se comprueba que cualquiera de esos productos es defectuoso, éste será reparado o reemplazado, a la discreción de FLOTEC, sujeto a los términos y a las condiciones indicadas a continuación. Se necesitará su recibo de compra original y la etiqueta de información sobre la garantía del producto, para determinar la admisibilidad de la garantía. La admisibilidad se basa en la fecha de compra del producto original - no en la fecha de reemplazo bajo la garantía. La garantía está limitada a la reparación o el reemplazo del producto solamente - El comprador pagará todos los costos de remoción, instalación, mano de obra y envío necesarios, así como todo costo adicional asociado.

Si necesita piezas o resolución de problemas, NO regrese el producto a la tienda minorista. Llame el Servicio a la Clientela de FLOTEC al 1-800-365-6832.

Las reclamaciones bajo esta garantía se deberán realizar mediante la devolución del producto (excepto en el caso de las bombas cloacales, ver a continuación) a la tienda minorista en donde se haya adquirido, inmediatamente después de haber descubierto un supuesto defecto. FLOTEC entonces tomará la medida correctiva tan pronto como sea razonablemente posible. No se aceptarán solicitudes de servicio, si se reciben más de 30 días después del vencimiento de esta garantía.

BOMBAS CLOCALES

NO devuelva una bomba cloacal (que se haya instalado) a su tienda minorista. Comuníquese con el Departamento de Atención al Cliente de FLOTEC. Las bombas cloacales que hayan estado en servicio y se hayan removido pueden representar un peligro de contaminación.

Si su bomba cloacal ha fallado:

- Use guantes de caucho cuando manipule la bomba;
- Para los fines de la garantía, devuelva la etiqueta del cordón de la bomba y el recibo de compra original a la tienda minorista;
- Descarte la bomba cumpliendo con todas las normas locales que correspondan para su eliminación.

Excepciones para la Garantía Limitada de Doce (12) Meses

Producto	Período de garantía
Bomba a taladro, Bomba a émbolo, Cartucho del filtro de agua en línea, Bomba para todo uso (Modelo FP0F360AC)	90 días
Bombas de sumidero sumergibles INTELLIPUMP de 1/3 HP (Modelo FP0S1775A) Bomba para cubiertas de piscina (Modelo FOS1790PCA) Bomba para todo uso (Modelo FP0S4100X), Bomba de condensado (Modelo FPCP-20ULST) Sistema de bomba de sumidero de respaldo (Modelo FP2800DCC)	2 años
Bombas de pozo sumergibles de 4", Bombas de sumidero sumergibles de 1/2 HP Bombas de sumidero de 1/3 HP Modelos FPSC2200A-10 y FPSC2250A-10	3 años
Tanque precargado del sistema de agua (Serie FP7100) Bombas de sumidero de 1/2 HP Modelos FPSC3200A-10 y FPSC3250A-10	5 años
Floodmate® 7000 (Modelo FP0S6000A), Bomba de pedestal para sumidero (Modelo FPPSS5000) Eyector de aguas servidas (Modelo FPSE3601A), Bomba cloacal sumergible (Modelo FPSES2700A) Bomba para todo uso (Modelo FPSC1725X), Bomba de sumidero sumergible (Modelo FPSC4550A-10)	De por vida

Términos y condiciones generales

Usted deberá pagar por todos los gastos de mano de obra y de envío necesarios para reemplazar el producto cubierto por esta garantía. Esta garantía no se aplicará en las siguientes situaciones: (1) caso de fuerza mayor (2) productos que, a sólo juicio de FLOTEC hayan sido sometidos a negligencia, abuso, accidente, mala aplicación, manejo indebido o alteraciones; (3) fallas debido a instalación, operación, mantenimiento o almacenamiento inadecuados; (4) aplicaciones, usos o servicios que no sean normales o aprobados; (5) fallas provocadas por corrosión, herrumbre u otros materiales extraños en el sistema, o una operación a presiones que excedan los máximos recomendados.

Esta garantía establece la única obligación de FLOTEC y el recurso exclusivo del Comprador con respecto a los productos defectuosos.

FLOTEC NO SE HARÁ RESPONSABLE DE NINGÚN DAÑO CONSECUENTE, INCIDENTAL O CONTINGENTE.

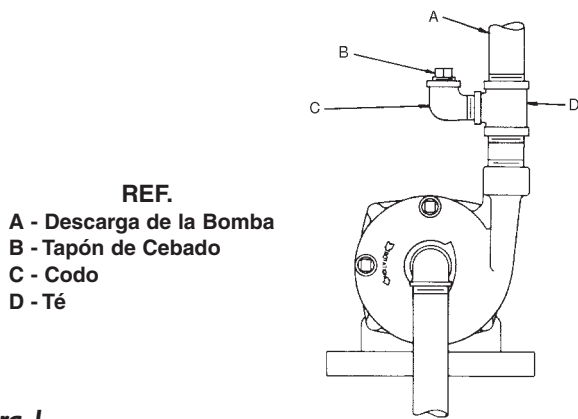
LAS GARANTÍAS QUE ANTECEDEN SON EXCLUSIVAS Y REEMPLAZAN TODA OTRA GARANTÍA EXPLÍCITA O IMPLÍCITA, INCLUYENDO PERO SIN LIMITARSE A LAS GARANTÍAS IMPLÍCITAS DE COMERCIABILIDAD E IDONEIDAD PARA UN FIN ESPECÍFICO. LAS GARANTÍAS QUE ANTECEDEN NO SE EXTENDERÁN MÁS ALLÁ DE LA DURACIÓN PROVISTA EN LA PRESENTE.

Algunos Estados no permiten la exclusión o limitación de daños incidentales o consecuentes o de limitaciones de tiempo sobre garantías implícitas, de modo que es posible que las limitaciones o exclusiones que preceden no correspondan en su caso. Esta garantía le otorga derechos legales específicos y es posible que Usted también tenga otros derechos que pueden variar de un Estado al otro.

FLOTEC • P.O. Box 342 • Delavan, WI 53115 U.S.A.

Teléfono: 1-800-365-6832 • Fax: 1-800-526-3757

E-Mail: info@flotecwater.com • Sitio Web: <http://www.flotecwater.com>



- REF.
 A - Descarga de la Bomba
 B - Tapón de Cebado
 C - Codo
 D - Té

Figura 1

TUBERIAS

Tanto la tubería de aspiración como la de descarga deben estar independientemente apoyadas en un punto cerca de la bomba a fin de evitar los esfuerzos ejercidos en la bomba. Comenzar a colocar todas las tuberías desde el lado de la bomba a fin de evitar los esfuerzos que puede causar un espacio.

Se aconseja aumentar el diámetro de la tubería de aspiración y de descarga en la bomba si se requiere un largo apreciable de tubería. Nunca usar una tubería de aspiración de un diámetro más pequeño que la conexión de la aspiración en la bomba. Usar una llave para sujetar el reborde de la aspiración y de la descarga de la bomba cuando se está conectando la tubería, a fin de evitar poner demasiado esfuerzo en la bomba.

TUBERIA DE ASPIRACION

El tubo de aspiración no debe tener pérdidas de aire. Cualquiera que sea el largo horizontal de la tubería de aspiración debe tener una pendiente ascendente gradual hacia la bomba. Evitar cualquier conector que pueda causar una trampa de aire. Se debe instalar una válvula de aspiración para evitar que la bomba se descebe.

TUBERIA DE DESCARGA

Se debe instalar una válvula de compuerta y una unión en la tubería de descarga. Para sacar la bomba y prestarle servicio, cerrar la válvula de compuerta y desconectar la unión.

CEBADO DE LA BOMBA

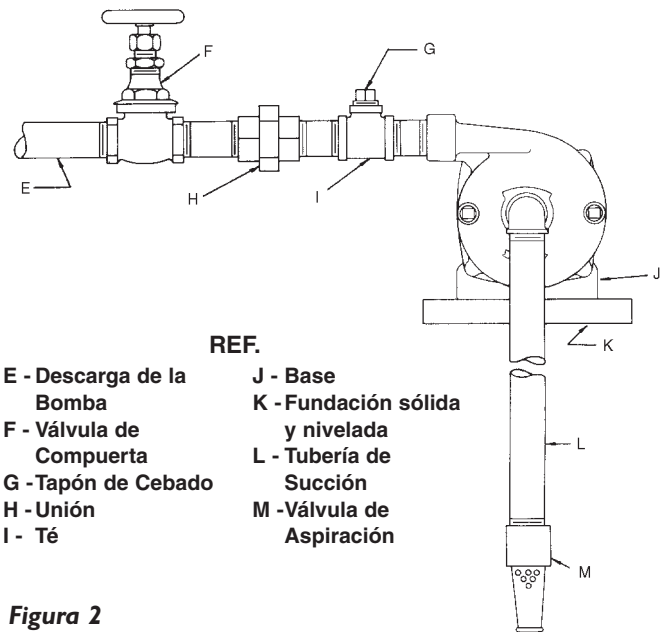
Cebat la bomba llenando completamente de agua tanto la tubería de aspiración como la bomba a través de la té de cebado. Volver a colocar el tapón de cebado y poner en marcha la bomba. Si el agua no es bombeada

inmediatamente, es porque no se ha evacuado todo el aire. Parar la bomba y volver a cebat, siguiendo las instrucciones anteriores. Cuando la descarga sea vertical, debe aflojarse el tapón de ventilación situado en la parte superior para evacuar el aire que está atrapado dentro de la voluta. Cuando la voluta se ha llenado completamente de agua, apretar el tapón de ventilación.

▲ PRECAUCIÓN NUNCA haga funcionar la bomba en seco. Si la bomba funciona sin agua puede recalentarse, dañándose la junta y posiblemente causando quemaduras a las personas que manipulan la bomba. Llenar la bomba con agua antes de ponerla en funcionamiento.

▲ ADVERTENCIA NUNCA haga funcionar la bomba si la descarga está cerrada. Si lo hace, el agua que está dentro de la bomba puede hervir, causando una presión peligrosa en la bomba, riesgo de explosión y posiblemente quemaduras a las personas que manipulan la bomba.

▲ CUIDADO El motor normalmente funciona a altas temperaturas y estará muy caliente para tocarlo. Esta protegido contra el daño que puede causar el calor durante el funcionamiento mediante un interruptor interno de cierre automático. Antes de manipular la bomba o el motor, pare el motor y déjelo enfriar durante aproximadamente 20 minutos.



- REF.
 E - Descarga de la Bomba
 F - Válvula de Compuerta
 G - Tapón de Cebado
 H - Unión
 I - Té
 J - Base
 K - Fundación sólida y nivelada
 L - Tubería de Succión
 M - Válvula de Aspiración

Figura 2

RENDIMIENTO

Modelo	HP	Voltaje	Admisión	Descarga	Rendimiento en Gal. por Min. a las Presiones de Descarga Indicadas							
					25	30	35	40	45	50	55	Lbs/pulg. ² Máx.
FP5512	1/2	115/230	1-1/4"	1"	22	13	2	-	-	-	-	36
FP5522	3/4	115/230	1-1/4"	1"	31	25	21	13	-	-	-	43
FP5532	1	115/230	1-1/4"	1"	47	40	35	29	17	-	-	49
FP5542	1-1/2	115/230	1-1/4"	1"	59	52	47	40	30	15	-	51
FP5552	2	230	1-1/2"	1-1/4"	68	62	54	48	38	29	7	57

Diagrama de conexión para motores monofásicos de doble tensión. El tablero de bornes de su motor de doble tensión (debajo de la tapa de extremo del motor) se parecerá a uno de los diagramas que se ilustran a continuación. Siga ese diagrama si es necesario convertir el motor a una potencia de 115 voltios.

Conecte los cables de suministro de corriente a L1 y L2. Para los motores trifásicos o si el motor no corresponde a estos diagramas, siga el diagrama de conexión que aparece en la placa de fábrica del motor.

El motor se envía configurado para 230 voltios .

Para cambiar el motor y usarlo con 115 voltios:

1. Desconecte la alimentación
2. Retire la cubierta posterior del motor.

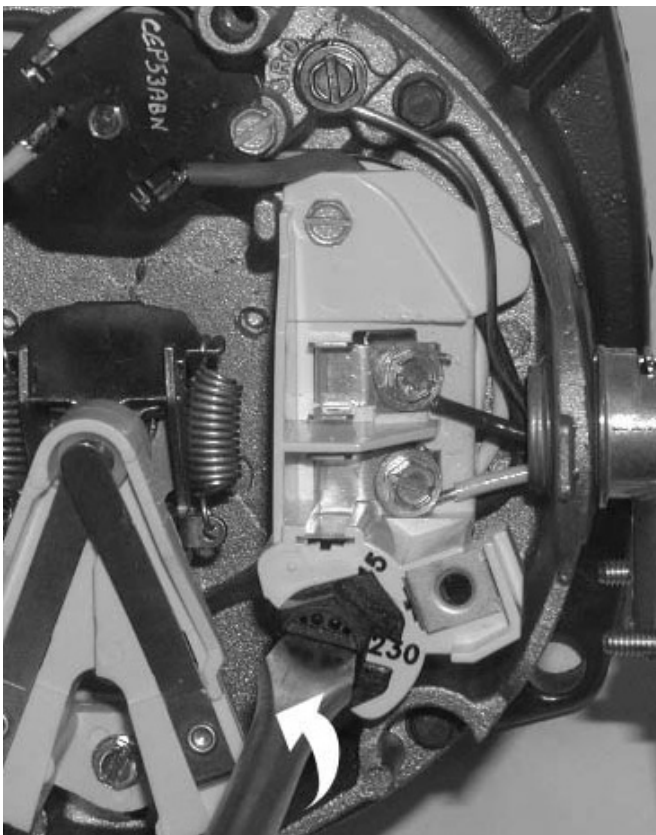


Figura 3 – Cambio de la configuración de tensión

3. Use un destornillador o una llave de 1/2" y gire el cuadrante selector de tensión hacia la izquierda hasta que se vea 115 en la abertura del cuadrante

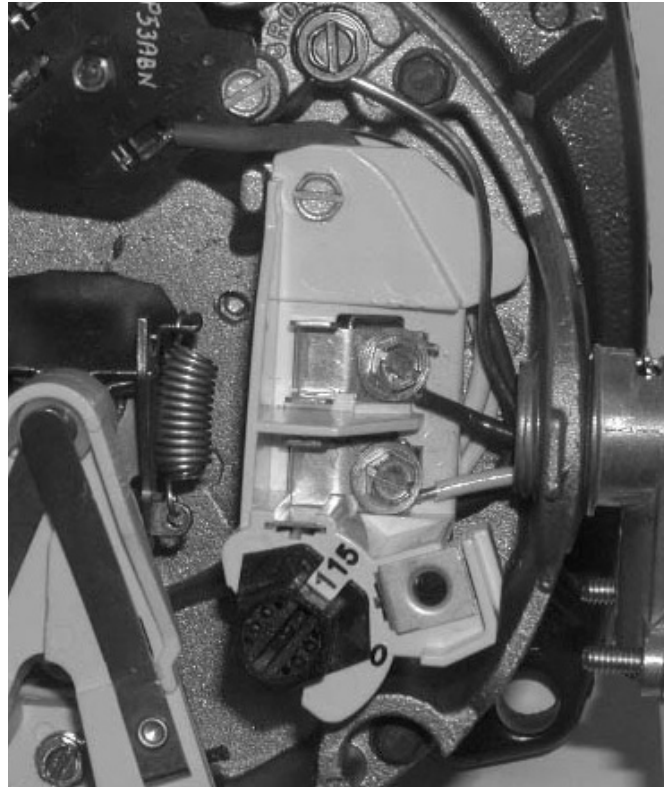


Figura 4 – Motor configurado para funcionar a 115 voltios

4. Vuelva a instalar la cubierta del motor.

⚠ ADVERTENCIA

Tensión peligrosa. Puede causar choques, quemaduras o muerte. Desconecte la corriente al motor antes de trabajar en la bomba o en el motor. Conecte el motor a tierra antes de conectarlo al suministro de corriente.

CABLEADO

- ⚠ Conecte el motor a tierra antes de conectarlo al suministro de energía eléctrica. Si no se conecta el motor a tierra existe el riesgo de choque eléctrico grave o fatal.
- ⚠ La conexión a tierra no debe ser por medio de una línea de suministro de gas.
- ⚠ Para evitar choques eléctricos peligrosos o fatales, apague el motor antes de trabajar con conexiones eléctricas.
- ⚠ La tensión de suministro debe encontrarse dentro de $\pm 10\%$ de la tensión de la placa de fábrica. Una tensión incorrecta puede causar incendios o dañar al motor, anulando la garantía. Si está en duda, consulte con un electricista certificado.

⚠ Use alambres del tamaño especificado en la Tabla de Cableado (Página 18). Si es posible, conecte la bomba a un circuito derivado separado, sin otros aparatos conectados al mismo.

⚠ Conecte los cables del motor según el diagrama que aparece en la placa de fábrica del motor. Si el diagrama de la placa de fábrica es diferente a los diagramas presentados arriba, siga el diagrama de la placa de fábrica.

- Paso 1. Instale, ponga a tierra, conecte los cables y mantenga esta bomba conforme a los requisitos del código eléctrico. Consulte a su inspector local de construcciones para obtener información sobre los códigos.
- Paso 2. Suministre un interruptor de desconexión con el fusible correcto para protección mientras se trabaja con el motor. Consulte los códigos eléctricos locales o nacionales con respecto a los requisitos para interruptores.
- Paso 3. Desconecte la corriente antes de reparar el motor o la bomba. Si el interruptor de desconexión está fuera de la vista de la bomba, trábelo en posición abierta y ponga un etiqueta para evitar que se aplique la corriente accidentalmente.
- Paso 4. Conecte la bomba a tierra en forma permanente usando un alambre del mismo tamaño que el especificado en la tabla de cableado. Haga la conexión a tierra con el borne verde de puesta a tierra bajo el techo que está marcado GRD o \oplus .
- Paso 5. Conecte el alambre de puesta a tierra a un cable de ida a tierra en el tablero de servicio o a una tubería

de metal para agua subterránea o una envoltura para pozos de por lo menos 10 pies de largo. No conecte a un tubo de plástico o a accesorios aislados.

- Paso 6. Proteja los conductores de puesta a tierra y los que llevan la corriente contra cortes, grasa, calor, aceite y productos químicos.
- Paso 7. Conecte los conductores que llevan la corriente a los bornes L1 y L2 bajo el techo del motor. Cuando cambie el motor, inspeccione el diagrama de cableado en la placa de fábrica del motor contra la Figura 3. Si el diagrama de cableado del motor no corresponde a ninguno de los diagramas en la Figura 3, siga el diagrama en el motor.

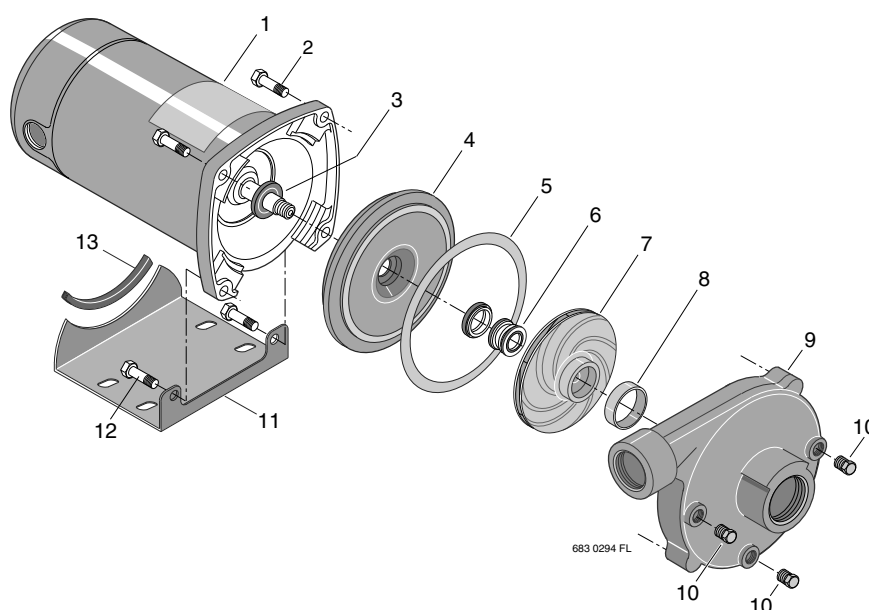
IMPORTANTE: Los modelos monofásicos de 115/230 voltios se despachan de fábrica con el motor cableado para 230 voltios. Si el suministro de corriente es de 115 voltios, saque el techo del motor y vuelva a conectarlo según se ilustra en la Figura 3. No trate de hacer marchar el motor en el estado que se recibió, si la corriente es de 115 voltios.

- Paso 8. El motor tiene una protección automática interna de sobrecarga térmica. si el motor se ha detenido por razones desconocidas, la sobrecarga térmica puede volver a arrancarlo sorpresivamente, lo que podría causar lesiones o daños a la propiedad. Desconecte el suministro de corriente antes de reparar el motor.
- Paso 9. Si este procedimiento o los diagramas de cableado son difíciles de entender, consulte con un electricista certificado.

Tabla de Conexiones - Cables Recomendados y Tamaños de Fusibles

HP del Motor	Voltios	Amp de Carga Máxima	Amp de Rango de Fusible de Derivación	DISTANCIA EN PIES DESDE EL MOTOR AL SUMINISTRO DE ENERGIA				
				0 - 100 (0 - 30)	101 - 200 (31 - 61)	201 - 300 (62 - 91)	301 - 400 (92 - 122)	401 - 500 (123 - 152)
				CALIBRE DEL CABLE AWG (mm cuadrados)				
1/2	115/230	9.4/4.7	15/15	14/14 (2/2)	10/14 (5.5/2)	10/14 (5.5/2)	6/14 (14/2)	6/12 (14/3)
3/4	115/230	12.2/6.1	20/15	12/14 (3/2)	10/14 (5.5/2)	8/14 (8.4/2)	6/12 (14/3)	6/12 (14/3)
1	115/230	14.8/7.4	20/15	12/14 (3/2)	8/14 (8.4/2)	6/14 (14/2)	6/12 (14/3)	4/10 (21/5.5)
1-1/2	115/230	19.2/9.6	30/15	10/14 (5.5/2)	8/14 (8.4/2)	6/12 (14/3)	4/10 (21/5.5)	4/10 (21/5.5)
2	115/230	24.0/12.0	30/15	10/14 (5.5/2)	6/14 (14/2)	6/12 (14/3)	4/10 (21/5.5)	4/10 (21/5.5)

PROBLEMA	CAUSA(S) PROBABLE(S)	ACCIÓN CORRECTIVA
Falla de la Bomba	La bomba no ha sido cebada debidamente	Asegurarse de que el cuerpo de la bomba y la tubería de aspiración estén llenas de agua. Ver las instrucciones del cebado
Reducción de la Capacidad o de la Presión	Bolsillos de aire o pérdidas en la tubería de aspiración Impulsor obstruido	Revisar la tubería de aspiración Sacar y limpiar
La Bomba se Desceba	Pérdida de aire en la tubería de aspiración Altura de aspiración excesiva y funcionamiento demasiado cerca del punto de parada El nivel del agua descende durante el bombeo, dejando al descubierto la tubería de aspiración	Revisar la tubería de aspiración Mover la bomba más cerca del nivel del agua Verificar la alimentación de agua. Alargar el tubo de aspiración de modo que su extremo quede sumergido en el agua
Averías Mecánicas y Ruido	Eje y/o cojinetes dañados Tubería de aspiración y/o de descarga mal apoyada o mal anclada	Llevar el motor a un taller de reparación autorizado Asegurarse de que toda la tubería esté debidamente apoyada para aliviar los esfuerzos en el conjunto de la bomba



Lista De Repuestos

No.de Ref.	Descripción de las Piezas	Cant.	FP5512-00 1/2 HP	FP5522-00 3/4 HP	FP5532-00 1 HP	FP5542-00 1-1/2 HP	FP5552-00 2 HP
1	Motor - 115/230 Voltios, 60 Ciclos, Monofásico	1	A100CLL	A100DLL	A100ELL	A100FLL	A100GSL
2	Tornillo de Cabeza - 3/8 - 16 x 1 1/4" de largo	2	U30-75ZP	U30-75ZP	U30-75ZP	U30-75ZP	—
2	Tornillo de Cabeza - 3/8 - 16 x 1" de largo	2	—	—	—	—	U30-74ZP
3	Deflector	1	17351-0009	17351-0009	17351-0009	17351-0009	17351-0009
4	Placa Obturadora	1	C3-1042P	C3-1042P	C3-1042P	C3-1042P	C3-181
5	Empaquetadura	1	C20-121	C20-121	C20-121	C20-121	C20-122
6	Junta del Eje	1	U109-6A	U109-6A	U109-6A	U109-6A	U109-6A
7	Impulsor	1	C105-92PN	C105-92PM	C105-92PL	C105-92PB	C105-214PCA
8	Anillo de Desgaste	1	C23-27	C23-27	C23-27	C23-27	C23-19
9	Voluta - Con Anillo de Desgaste	1	C101-284E	C101-284E	C101-284E	C101-284E	C101-264E
10	Tapón 1/4" NPT - cabeza hexagonal	3	U78-941ZPV	U78-941ZPV	U78-941ZPV	U78-941ZPV	U78-941ZPV
11	Base - Con Amortiguador del Motor	1	J204-9	J204-9	J204-9	J204-9	J104-9
12	Tornillo de Cabeza - 3/8 - 16 x 1 1/2" de largo	2	U30-76ZP	U30-76ZP	U30-76ZP	U30-76ZP	—
12	Tornillo de Cabeza - 3/8 - 16 x 1 1/4" de largo	2	—	—	—	—	U30-75ZP
13	Amortiguador del Motor	1	C35-5	C35-5	C35-5	C35-5	C35-5

