



QSSRPG_X

Stainless Steel Non-Slip Crimp Ring

Dimensional Data (inches and [mm]) are Subject to Manufacturing Tolerances and Change Without Notice

Engineering Specification:

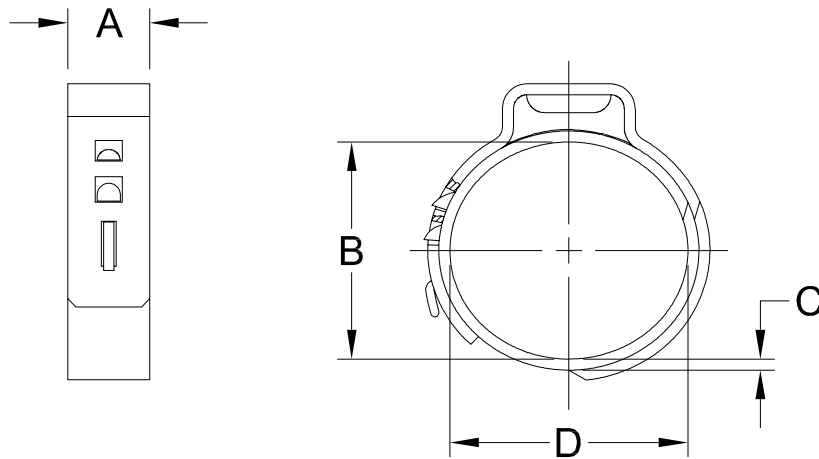
Zurn® Stainless Steel Non-Slip Crimp Ring. Stainless Steel (Type 304) mechanical fastener used to secure ZurnPEX® piping to Zurn Crimp fittings. The Non-Slip feature makes proper positioning of the ring easier and faster for the installer.

Standards Compliance

- ASTM F2098

Accessories

- QSECR - Stainless Steel Crimp Ring Tool
- QSECRTRM - Ratcheting Stainless Steel Crimp Ring Tool



PART NUMBER	NOMINAL SIZE	DIMENSIONS (approximate)							
		A		B		C (Thk.)		D	
		in.	mm	in.	mm	in.	mm	in.	mm
QSSRPG2X	3/8"	0.276	7	0.496	13	0.024	.6	0.543	14
QSSRPG3X	1/2"	0.276	7	0.618	16	0.031	.8	0.677	17
QSSRPGJX	5/8	0.276	7	0.736	19	0.031	.8	0.898	23
QSSRPG4X	3/4"	0.354	9	0.862	22	0.031	.8	0.929	24
QSSRPG5X	1"	0.394	10	1.132	29	0.039	1	1.220	31