

Belfield™ Accessories Technical Specification

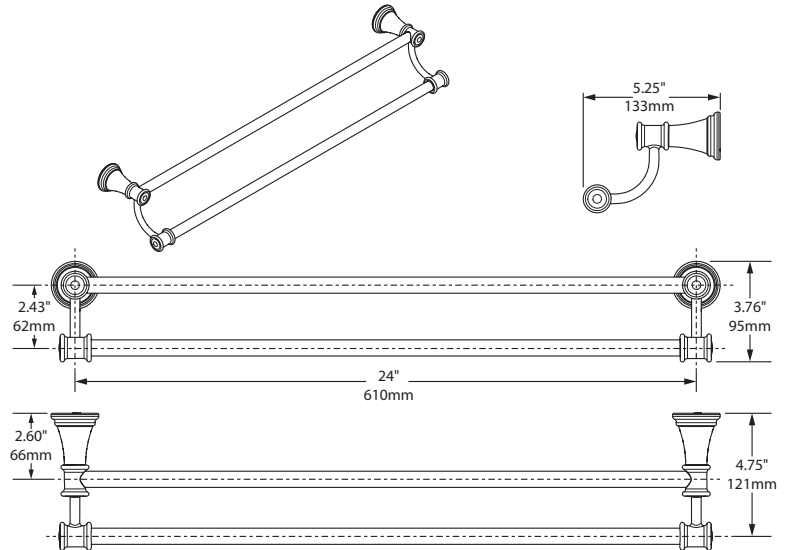
Double Towel Bar

YB6422

Stock Numbers:

- YB4622CH – Double Towel Bar
Chrome
- YB4622BN – Double Towel Bar
Brushed Nickel
- YB4622ORB – Double Towel Bar
Oil Rubbed Bronze

Dimensions:



Materials:

Towel Bar posts are constructed of zinc. Bars are aluminum.

Installation Instructions:

Directions below are for installation into drywall. If installing product into a stud, use the wood screws only.

1. Remove mounting posts from the product assemblies by loosening each set screw.
2. Position the mounting template on the wall in the desired location.
3. Using a level, align the template and tape it to the wall.
4. Drill two 5/16" holes at each mounting post location that corresponds to your product.
5. We recommend using the horizontal holes for drywall installation.
6. Remove the template from the wall.
7. Fold ends of the plastic toggle anchor together and insert into each hole in the wall.
8. Lightly tap anchors until flush with the wall.
9. One at a time, insert plastic pin into each anchor and lightly tap to activate anchor.
10. Remove pin and repeat on all anchors.
11. One at a time, place each mounting post over anchors (notch facing downward) and insert screws through post into anchors.
12. Tighten screws.
13. Place assembly

Cleaning Instructions:

To preserve the fine finish of this product, clean only with a soft damp cloth. Dry well. Do not use commercial or abrasive cleaners.

Stock Number: _____ **Double Towel Bar**
By Moen Incorporated

 **MOEN**
Buy it for looks. Buy it for life.®

25300 AL MOEN DRIVE • NORTH OLMSTED, OH 44070
CORPORATE HEADQUARTERS: (800) 321-8809 • FAX: (800) 848-6636
INTERNATIONAL: (440) 962-2000 • FAX: (440) 962-2726
CUSTOMER SERVICE (USA): 800-882-0116 • FAX: (888) 379-2720
WWW.MOEN.COM
©Copyright Moen Incorporated