

## H-x043W Series

Pro-Pal Union Ball Drain  
 Full Port Forged Brass Ball Valve  
 w/ Single Union End,  
 Hi-Flow Hose Drain,  
 Reversible Handle  
 & Adjustable Packing Glands

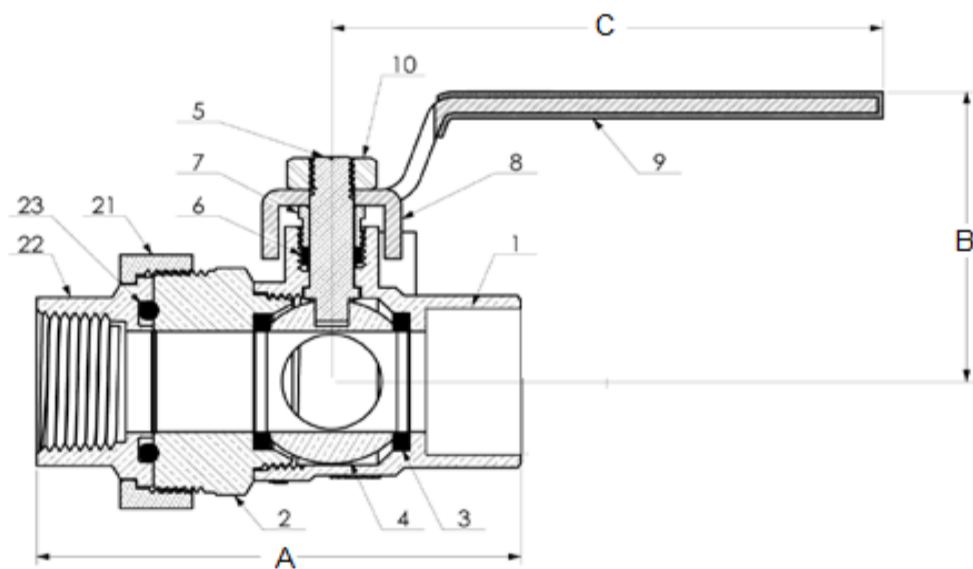
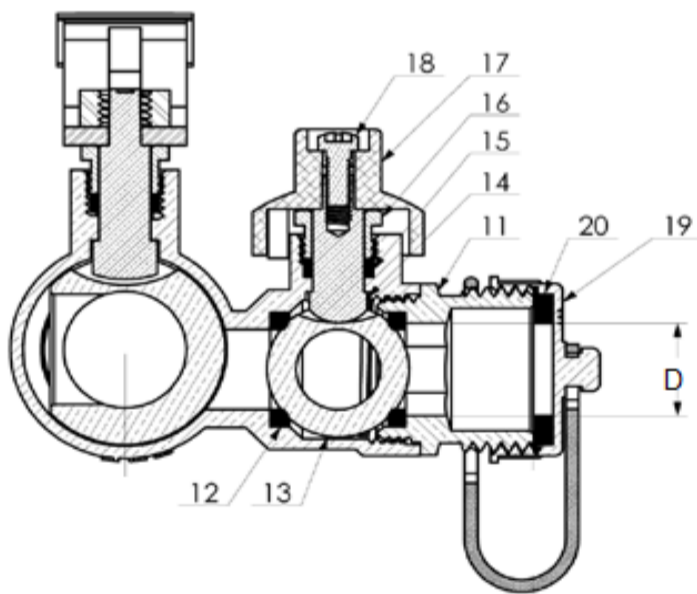
### Certifications

Certified to NSF/ANSI 61 & 372

Lead-Free



NO.	DESCRIPTION	MATERIAL
1	BODY	Lead Free DZR Brass
2	CAP	Lead Free DZR Brass
3	SEAT	PTFE
4	BALL	BRASS HCP
5	STEM	BRASS
6	PACKING	PTFE
7	PACKING GLAND	BRASS
8	HANDLE	STEEL CP
9	HANDLE JACKET	VINYL
10	HANDLE NUT	STAINLESS STEEL
11	CAP	BRASS
12	SEAT	PTFE
13	BALL	BRASS HCP
14	STEM	BRASS
15	PACKING	PTFE
16	PACKING GLAND	BRASS
17	HANDLE	ALUMINUM
18	HANDLE SCREW	BRASS
19	CAP & STRAP	BRASS w/ PVC STRAP
20	GASKET	EPDM
21	UNION NUT	BRASS
22	UNION FITTING	Lead Free DZR Brass
23	O-Ring	EPDM



Designed for residential, commercial or industrial use. This approved Webstone valve is actuated by a blowout proof stem. Threaded ends comply with ANSI B1.20.1\*Certified to NSF/ANSI 14.

ITEM#	Connection Type	SIZE (in)	Pressure Rating	Max Temp	A	B	C	D
* H-10432W	FIP Union x ASTM F1807 PEX	1/2	250 PSI CWP Max	200°F Max	3.43	2.50	3.50	0.50
* H-10433W	FIP Union x ASTM F1807 PEX	3/4	250 PSI CWP Max	200°F Max	3.63	2.50	3.50	0.50
* H-10434W	FIP Union x ASTM F1807 PEX	1	250 PSI CWP Max	200°F Max	4.22	2.75	4.63	0.50
* H-10435W	FIP Union x ASTM F1807 PEX	1 1/4	250 PSI CWP Max	200°F Max	4.62	3.00	4.50	0.75
* H-10436W	FIP Union x ASTM F1807 PEX	1 1/2	250 PSI CWP Max	200°F Max	5.65	3.63	5.63	0.75
* H-10437W	FIP Union x ASTM F1807 PEX	2	250 PSI CWP Max	200°F Max	6.39	4.00	5.63	0.75
* H-30432W	FIP Union x ASTM F1960 PEX	1/2	250 PSI CWP Max	200°F Max	3.46	2.50	3.50	0.50
* H-30433W	FIP Union x ASTM F1960 PEX	3/4	250 PSI CWP Max	200°F Max	3.88	2.50	3.50	0.50
* H-30434W	FIP Union x ASTM F1960 PEX	1	250 PSI CWP Max	200°F Max	4.57	2.75	4.63	0.50
* H-30435W	FIP Union x ASTM F1960 PEX	1 1/4	250 PSI CWP Max	200°F Max	5.10	3.00	4.50	0.75
* H-30436W	FIP Union x ASTM F1960 PEX	1 1/2	250 PSI CWP Max	200°F Max	6.19	3.63	5.63	0.75
* H-30437W	FIP Union x ASTM F1960 PEX	2	250 PSI CWP Max	200°F Max	6.94	4.00	5.63	0.75
H-40433W	FIP Union x FIP	3/4	600 PSI CWP Max	350°F Max	3.25	2.06	4.00	0.50
H-40434W	FIP Union x FIP	1	600 PSI CWP Max	350°F Max	4.00	2.63	4.06	0.50
H-40435W	FIP Union x FIP	1 1/4	600 PSI CWP Max	350°F Max	4.31	3.00	4.31	0.75
H-40436W	FIP Union x FIP	1 1/2	600 PSI CWP Max	350°F Max	5.19	3.50	5.19	0.75
H-50433W	FIP Union x SWT	3/4	600 PSI CWP Max	250°F Max	3.50	2.00	3.63	0.50
H-50434W	FIP Union x SWT	1	600 PSI CWP Max	250°F Max	4.19	2.63	4.19	0.50
H-50435W	FIP Union x SWT	1 1/4	600 PSI CWP Max	250°F Max	4.50	3.00	4.50	0.75
H-50436W	FIP Union x SWT	1 1/2	600 PSI CWP Max	250°F Max	5.38	3.50	5.50	0.75
H-80433W	FIP Union x Press	3/4	250 PSI CWP Max	250°F Max	4.32	2.63	3.50	0.50
H-80434W	FIP Union x Press	1	250 PSI CWP Max	250°F Max	4.80	2.63	4.65	0.50
H-80435W	FIP Union x Press	1 1/4	250 PSI CWP Max	250°F Max	5.20	2.63	4.65	0.75
H-80436W	FIP Union x Press	1 1/2	250 PSI CWP Max	250°F Max	6.20	3.30	5.50	0.75

