

# TRADITIONAL CONCEPT™

BY

**minkaAire®**  
A Minka Group® Co.

*INSTRUCTION MANUAL WARRANTY CERTIFICATE*

©2019 Minka Lighting Inc. Manual design and all elements of manual design are protected by United States Federal and/or State Law including Patents, Trademark, and/or Copyright Laws.



The Minka-Aire® warranty is for one (1) year from the date of purchase from an authorized Minka-Aire® dealer. This warranty is only valid to the original purchaser or user against all defects in material and workmanship (light bulbs excluded) for one (1) full year. Additionally, Minka-Aire® warrants the motor only for the lifetime of the Minka Aire ceiling fan (excluding wall controls and electrical components), to the original purchaser or user.

- \* The warranty is voided with the use of any non- Minka-Aire® electrical devices, E.g., wall controls or electrical dimmer switches, etc...
- \* The warranty is void once the original purchaser or user ceases to own the fan or the fan is moved from its original point of installation.
- \* The warranty is void with the use of any hanger bracket (non-Minka Aire or non-fan specific) other than the hanger bracket supplied & installed with this specific fan.

## Warranty Service Information

To obtain warranty service during the warranty period, the purchaser should return the fan with the sales receipt to the original place of purchase. The authorized Minka-Aire® dealer, at its sole discretion, will either repair or replace the fan after verifying the legitimacy of the warranty claim. Replacement is subject to availability of the same model. If the model is unavailable it will be replaced by one of equal value. This is a limited warranty; the original purchaser or user is responsible for the cost of removal and reinstallation of repaired or replacement product.

To obtain the name of the Minka-Aire® authorized dealer nearest you call the Minka-Aire® customer care department at 1-800-307-3267, or contact Minka-Aire® through [www.minkagroup.net](http://www.minkagroup.net) and select FAQ to answer any questions or if you require additional assistance submit the question form found there.

Date Purchased \_\_\_\_\_ Store Purchased \_\_\_\_\_ Model Number F594L Serial Number \_\_\_\_\_

# CONTENTS

SAFETY RULES.....	1	INSTALLING THE LIGHT KIT MOUNTING PLATE .....	8
PACKAGE CONTENTS.....	2	INSTALLING THE LED LIGHT KIT.....	9
INSTALLING THE MOUNTING BRACKET.....	3	INSTALLING THE GLASS SHADE .....	10
ELECTRICAL CONNECTIONS.....	4	OPERATING THE REMOTE CONTROL/WALL CONTROL .....	11
INSTALLING THE WALL TRANSMITTER.....	5	CARE OF YOUR FAN.....	12
FINISHING THE INSTALLATION.....	6	TROUBLESHOOTING.....	13
BLADE INSTALLATION.....	7	SPECIFICATIONS.....	14



1151 W. Bradford Court, Corona, CA 92882 • For Customer Assistance Call: 1-800-307-3267



# 1

## ***SAFETY RULES***

1. Before you begin installing the fan, shut power off at the circuit breaker of the fuse box.
2. **Be cautious!** Read all instructions and safety information before installing your new fan. Review accompanying assembly diagrams.
3. Make sure that all electrical connections comply with local codes, ordinances, or National Electrical Codes. Hire a qualified electrician or consult a do-it-yourself wiring handbook if you are unfamiliar with installing electrical wiring.
4. Make sure the installation site you choose allows the fan blades to rotate without any obstructions. Allow a minimum clearance of 7 feet from the floor and 18 inches from the tip of the blades to the wall.
5. If you are mounting the fan to a ceiling fan outlet box, use a U.L. Listed metal octagonal outlet box marked "Acceptable for Fan Support". Secure the box directly to the building structure. The outlet box and its support must be able to support the moving weight of the fan (at least 50 pounds) Do not use a plastic box.
6. **Caution:** To reduce the risk of injury use only the screws provided with the outlet box in conjunction with the lock washers provided with the fan.
7. If you are mounting the fan to a joist, make sure it is able to support the moving weight of the fan (at least 50 pounds).
8. After you install the fan, make sure that all mounting components are secured to prevent the fan from falling.
9. Do not insert anything into the fan blades while the fan is operating.
10. Turn the fan off and wait for the blades to stop completely before proceeding with maintenance or cleaning.

**SUITABLE FOR USE IN  
WET LOCATIONS**

**NOTE:** The important safeguards and instructions appearing in this manual are not meant to cover all possible conditions and situations that may occur. It must be understood that common sense, caution and care are factors which can not be built into this product. These factors must be supplied by the person(s) installing, caring for and operating the unit.

**NOTE:** READ AND SAVE ALL INSTRUCTIONS!

### **WARNING**

TO REDUCE THE RISK OF FIRE, ELECTRIC SHOCK OR OTHER PERSONAL INJURY, MOUNT FAN ONLY TO A U.L. LISTED OUTLET BOX OR SUPPORTING SYSTEM MARKED ACCEPTABLE FOR FAN SUPPORT AND USE MOUNTING SCREWS PROVIDED WITH THE OUTLET BOX IN CONJUNCTION WITH THE LOCK WASHERS PROVIDED WITH THE FAN. MOST OUTLET BOXES COMMONLY USED FOR FAN SUPPORT OF LIGHTING FIXTURES ARE NOT ACCEPTABLE FOR FAN SUPPORT AND NEED TO BE REPLACED. CONSULT A QUALIFIED ELECTRICIAN IF IN DOUBT.

TO REDUCE THE RISK OF PERSONAL INJURY, DO NOT BEND THE BLADE HOLDERS WHILE INSTALLING, BALANCING THE BLADES OR CLEANING THE FAN. DO NOT INSERT FOREIGN OBJECTS BETWEEN ROTATING FAN BLADES.

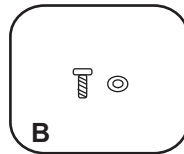
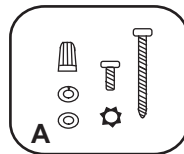
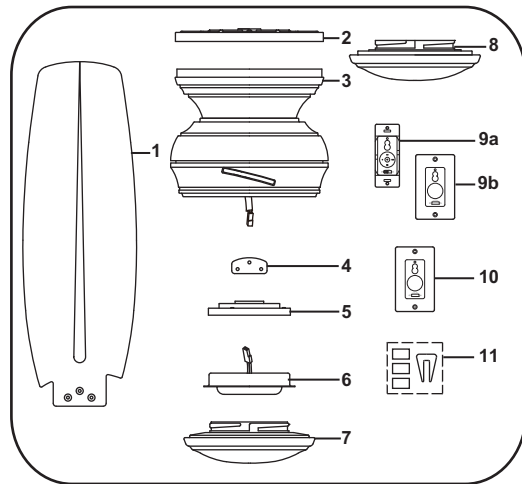
TO REDUCE THE RISK OF FIRE OR ELECTRONIC SHOCK, THIS FAN ONLY CAN USE CFR-3T SOLID-STATE SPEED CONTROL WITH TR111A-1 WALL CONTROL ONLY.

# 2

## PACKAGE CONTENTS

Unpack your fan and check the contents. You should have the following items:

1. Fan Blades (3)
  2. Mounting bracket
  3. Fan motor/housing ass'y
  4. Blade support plates (3)
  5. Light kit mounting plate
  6. 14W LED Light kit
  7. Glass shade
  8. Metal light cover (for optional use)
  - 9a. Wall transmitter Incl. 2 mounting screws and 3 wire nuts
  - 9b. Wall plate w/2 mounting screws
  10. Extra Wall Plate w/2 Mounting screws
  11. Balancing kit
- A. Mounting hardware:  
#10 x 1.5" Wood screws (2)  
#8 x 3/4" Machine screws (2)  
Lock washers (2)  
4mm star washers (2)  
Wire nuts (3)  
Washers (2)
- B. Blade attachment hardware:  
3/16" x 15mm Screws (10)  
Rubber washers (10)





## INSTALLING THE MOUNTING BRACKET

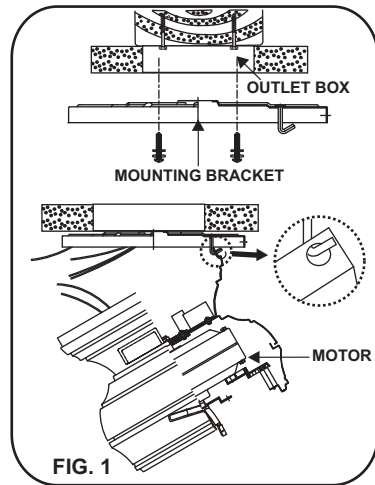
Tools Required: Phillips screw driver; slotted screw driver; step-ladder; wire cutters; electrical tape.

**WARNING** All of the parts, hardware and components have been provided for your safety and the proper installation of your new ceiling fan. The use of other parts, hardware or components not supplied by Minka Aire® with the fan will void the Minka Aire® Warranty.

**REMEMBER** to turn off the power. Follow the steps below to hang your fan properly:

Step 1. Attach the mounting bracket to the outlet box with two screws and washers provided with the outlet box. Make sure the bracket is tight and secured. (Fig. 1)

Step 2. Lift fan into position by hanging the motor assembly onto the hook from the ceiling mounting bracket allowing it to hang freely. (Fig. 1)



# 4

## ***ELECTRICAL CONNECTIONS***

**WARNING:** To avoid possible electrical shock be sure electricity is turned off at the main fuse or breaker box before wiring.

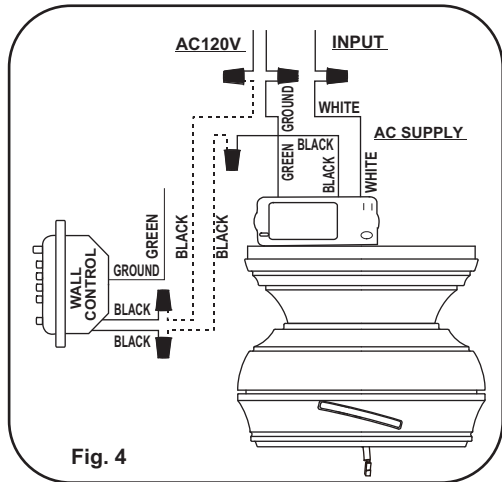
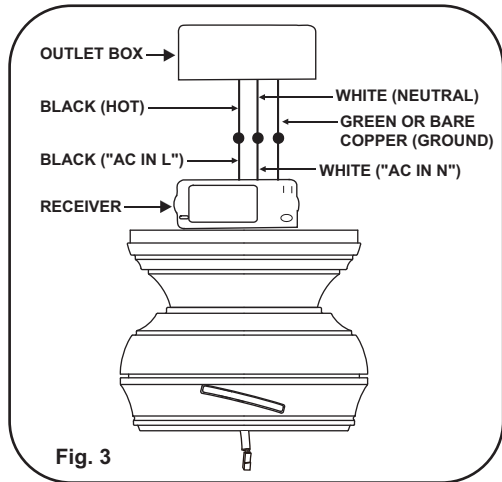
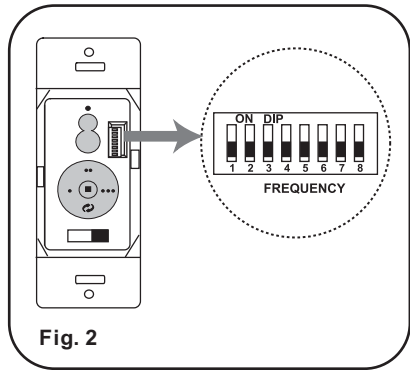
**NOTE:** The Aire Control® System is equipped with a learning frequency function which has 256 code combinations to prevent potential interference from other remote units. The frequency on your Receiver and Transmitter units have been preset at the factory. (Fig. 2) No frequency change is necessary, should you desire to install another fan within the same home or area with a separate frequency code please see the "frequency interference" troubleshooting section of this instruction manual to learn how to change the frequency.

Step 1. Connect the fan supply (black) wire to the black household supply wire as shown in Figure 3 & 4.

Step 2. Connect the neutral fan (white) wire to the white neutral household wire.

Step 3. Connect the fan ground wire (green) to the household ground wire.

Step 4. After all splices are made, check to make sure there are no loose strands. As an additional precaution we suggest to secure the plastic wire connectors to the wires with electrical tape.



# 5

## ***INSTALLING THE WALL TRANSMITTER***

**WARNING!** HOOK UP "IN SERIES" ONLY. DO NOT CONNECT NEUTRAL SUPPLY WIRE OF ELECTRIC CIRCUIT TO THE TRANSMITTER WALL SWITCH, DAMAGE TO THE TRANSMITTER WALL SWITCH AND POSSIBLE FIRE COULD OCCUR.

Step 1. Remove the existing wall plate and switch from the wall outlet box.

Step 2. Make the electrical connections as shown in Fig. 4. If your outlet box has a ground wire (Green or Bare Copper) connect the Transmitter's ground wire directly to one of the screws from the outlet box. Secure all wire connections with the plastic wire nuts provided.

Step 3. Carefully tuck the wire connections inside the outlet box. Use the screws provided to secure the wall transmitter and wall plate to the outlet box. (Fig. 5)

**NOTE:** Your Aire Control™ System includes two sets of face and decorative plate color options. The wall control comes with standard white faceplate attached. If you desire to replace it with the Ivory color faceplate included, use a small flat screw driver and gently pry it apart from the top or bottom of the plate.

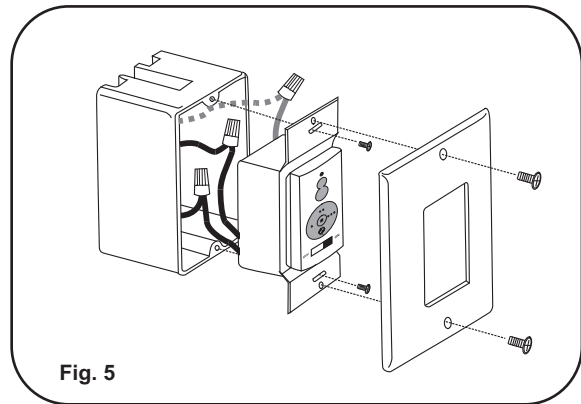


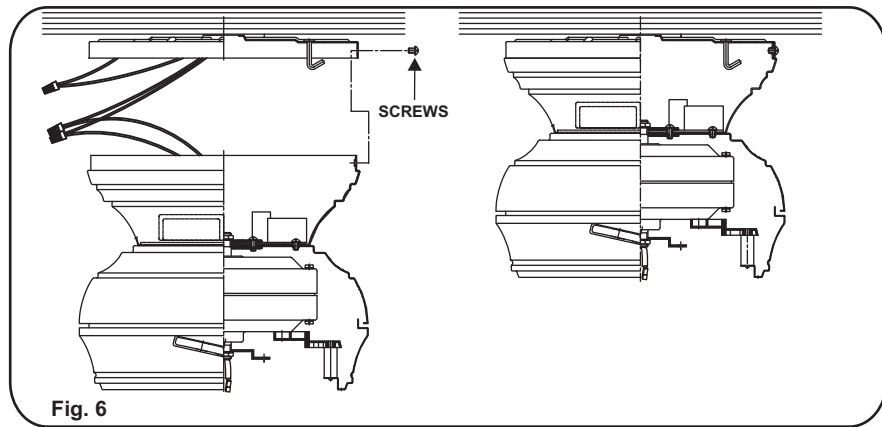
Fig. 5

## FINISHING THE INSTALLATION

Step 1. Loosen three of the four screws from the motor and remove the other one.

Step 2. Remove the motor assembly from the mounting bracket hook and engage the key holes to the three screws previously loosened.

Step 3. Install the screw previously removed and tighten all four screws.

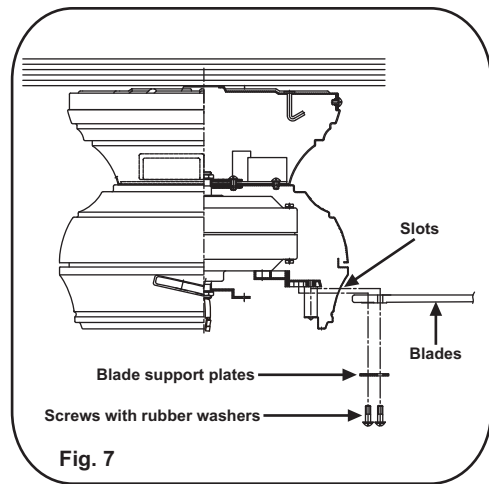


# 7

## ***BLADE INSTALLATION***

**THE FOLLOWING OPERATIONS MUST BE ACCOMPLISHED BEFORE INSTALLING THE LIGHT KIT.**

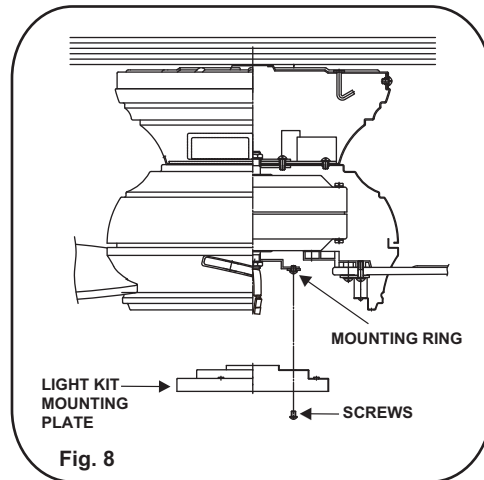
Insert one fan blade into the blade slot on the motor housing and secure with the screws, rubber washers and blade support plate. Securely tighten screws. Repeat process with other blades. (Fig. 7)



## ***INSTALLING THE LIGHT KIT MOUNTING PLATE***

Step 1. Remove 1 of 3 screws from the mounting ring and loosen the other 2 screws. **(Do not remove)**

Step 2. Place the key holes from the light kit mounting plate over the 2 screws previously loosened from the mounting ring, turn the light kit mounting plate until it locks in place at the narrow section of the key holes. Secure by tightening the 2 screws previously loosened and the one previously removed. (Fig. 8)



# 9

## INSTALLING THE LED LIGHT KIT

**NOTE:** Before starting installation, make sure power is turned off at the circuit breaker.

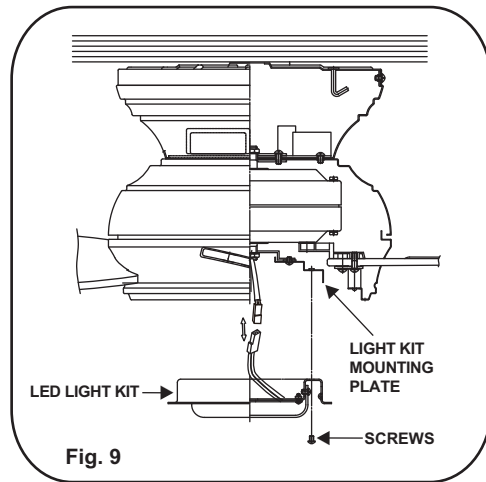
If you do not plan to install the light kit with your fan at this time, **do not** connect the wire connectors at step 2.

1. Remove 1 of 3 screws from the light kit mounting plate and loosen the other 2 screws. (**Do not remove**)

2. While holding the LED light kit under the fan motor assembly, make the 2-pin wire connections (Fig. 9):

- White to white
- Black to black

3. Place the key holes from the LED light kit over the 2 screws previously loosened from the light kit mounting plate, turn light kit until it locks in place at the narrow section of the key holes. Secure by tightening the 2 screws previously loosened and the one previously removed. (Fig. 9).



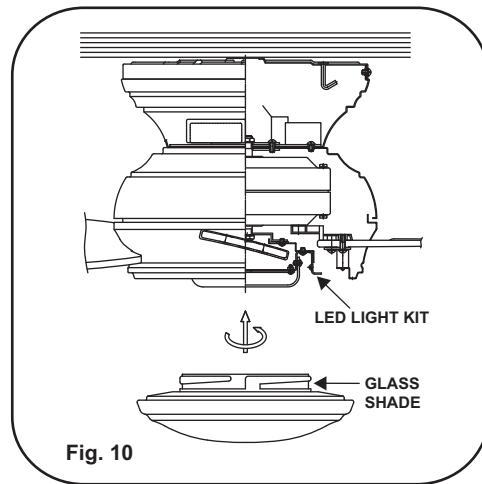


## ***INSTALLING THE GLASS SHADE***

**CAUTION:** Before starting installation, make sure power is turned off at the circuit breaker.

Raise the glass shade (or metal light cover) up against the mounting plate and secure it to the fan by turning the glass shade clockwise until snug. **DO NOT OVERTIGHTEN.** (Fig. 10)

**NOTE:** The metal light cover included with your fan is an option to replace the glass for the light in the event that you prefer not to use the light feature of your fan. The metal light cover is not necessary for the light operation; it can be saved for later use if desired.



10

## OPERATING THE REMOTE CONTROL/WALL CONTROL

Remote Control only: Install a A23 12 volt battery (included). To prevent damage to transmitter remove the battery if not used for long periods of time.

Restore Power to Ceiling Fan.

A. ●●● Buttons:

These buttons are used to set the fan speeds as follows;

● = Low Speed

●● = Medium Speed




●●● = High Speed

B. ■ Button:

This button turns the fan off.

C.  Button:

These buttons turn the light ON or OFF and also control the brightness settings of the light. The following

instructions apply to ceiling fans that feature a DOWN light ( button) only or ceiling fans that feature an UP light () and a DOWN light () that are controlled independent of each other.


Press and release the button for the desired light to turn the light ON or OFF. Press and hold the button to set the desired light brightness. The light will cycle between bright and dim settings as long as the button is pressed. The light key has an automatic auto-resume feature that allows the light to remain at the same brightness as the last time it was turned off.

D. OFF-ON Slide Button (Wall Control Fans Only)

This button turns the power Off and On to the Fan and Light(s).

E.  Button: (Full Function Remote Control Units Only)

This button is used to change the direction of the rotation of the blades; forward for warm weather or reverse for cool weather.

**NOTE:** If your Remote Control or Wall Control does not have a  button, Please look for a slide reverse switch on the motor housing.

Speed settings for warm or cold weather depend on factors such as room size, ceiling height and number of fans.

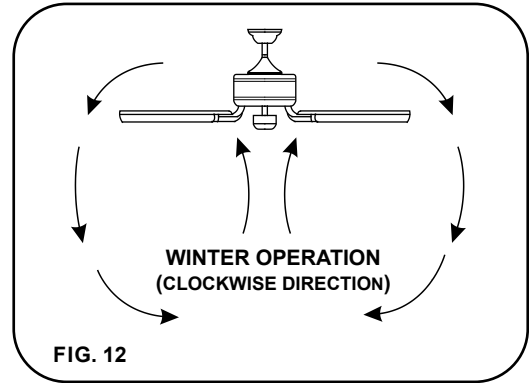
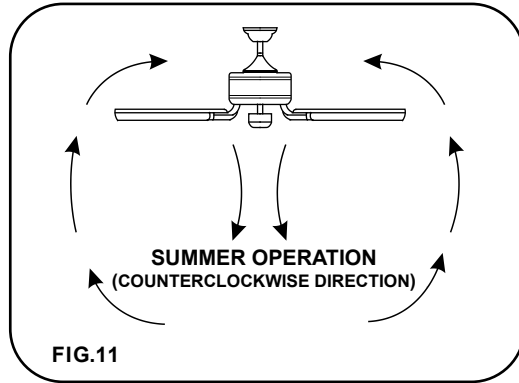
**NOTE:** To change the direction of the rotation of the blades the fan must be in operation mode.

**Warm Weather (forward)**

A **DOWNWARD** airflow creates a cooling effect as shown in Figure 11. This allows you to set your air conditioner on a warmer setting without affecting your comfort.

**Cool Weather (Reverse)**

An **UPWARD** airflow moves warmer air off the ceiling area as shown in Figure 12. This allows you to set your heating unit on a cooler setting without affecting your comfort.



## CARE OF YOUR FAN

Here are some suggestions to help maintain your fan.

1. Because of the fan's natural movement some connections may become loose. Check the support connections, brackets and blade attachments twice a year. Make sure they are secure. (It is not necessary to remove fan from the ceiling).
2. Clean your fan periodically to help maintain its new appearance over the years. Use only a soft brush or lint free cloth to avoid scratching the finish. Plated finishes are sealed with lacquer to minimize discoloration or tarnishing. Do not use water when cleaning, this could damage the motor, wood blades or possibly cause an electrical shock.
3. If your fan is provided with wood veneer blades; you can apply a light coat of furniture polish for additional protection and enhanced beauty. Cover small scratches with a light application of shoe polish.

4. Use a lint free lightly damp cloth or duster to remove dust from the blades.
5. There is no need to oil your fan. The motor has permanently lubricated bearings.
6. If your fan is provided with glass shades, clean with lukewarm soapy water and a soft cloth or sponge. **DO NOT IMMERSE GLASS SHADES IN HOT WATER. DO NOT PUT GLASS SHADES INTO AN AUTOMATIC DISHWASHER.**

### **WARNING!**

**MAKE SURE THE POWER IS OFF AT THE ELECTRICAL PANEL BOX BEFORE YOU ATTEMPT ANY REPAIRS. REFER TO THE SECTION, "ELECTRICAL CONNECTIONS".**

## TROUBLESHOOTING

### SYMPTOM

Fan will not start

### SOLUTION

- Check to make sure the wall switch is turned on.
- Check circuit fuses or breakers.
- **Caution!** Make sure the power is turned off before performing the following steps. Remove canopy and check wire connections.
- Check wall control transmitter connections (if applicable).
- **Note:** Fan must be installed at a maximum distance of 40 feet from the transmitting unit for proper signal transmission between the transmitting unit and the fan's receiving unit.

### SYMPTOM

Fans/Light Turn On and Off Unexpectedly

### SOLUTION

- This is caused by interference, change the code frequency from the transmitter, and follow the instructions from Section 5 again to operate your transmitter and fan.

### SYMPTOM

Fan Sounds Noisy

### SOLUTION

- Allow a 24-hour "break in" period. Most noises associated with a new fan will go away during this time.
- Make sure the screws that attach the fan blade holder to the motor hub is tight.
- Make sure outlet box is secured to building structure, if necessary use the wood screws provided to further secure outlet box to joist.
- Make sure hanger bracket is secure to the outlet box, screws are tight.

### SYMPTOM

Fan Wobble

### SOLUTION

- **NOTE:** All blade sets are grouped by weight. Because wood and plastic blades vary in density, the fan may wobble even though blades are matched.
- Make sure outlet box is secured to building structure, if necessary use the wood screws provided to further secure outlet box to joist.
- Make sure hanger bracket is secure to the outlet box, screws are tight.
- If a Balancing kit is provided follow the instructions included with the balancing kit to help correct any excessive wobble.

## SYMPTOM

Frequency Interference

## SOLUTION

1. Turn the power off to your ceiling fan.
2. Please use a small size tool to change the frequency settings on the control system.
3. Return power to the unit.  
**Note:** After the AC power is on, do not press any other button on the transmitter before pressing the "Stop" button, doing so will cause the procedure to fail.
4. Within 60 seconds of turning the Fan's AC power ON. Press the transmitter's "Stop" button and hold the "Stop" button for 10 seconds.
5. Once the receiver has detected the set frequency, the down light of your fan if applicable will blink twice. (There is no indication if your fan is not equipped with a light).
6. The receiver has now learn the frequency which has been selected on the transmitter. After completing the steps above, you should be able to operate the ceiling fan and light. If the fan is not responding to the transmitter, please turn the power off to the receiver, and repeat the process.

These are typical readings. Your actual fan may vary. They do not include amps and wattage used by the light(s).

## ***SPECIFICATIONS***

14

Fan Size	Speed	Volts	Amps	Watts	RPM	N.W.	G.W.	C.F.
52"	Low	120	0.246	14.11	69	10.29	11.96	2.30'
	High	120	0.510	59.95	161	kgs	kgs	

## PERFORMANCE AND ENERGY INFORMATION

# ENERGYGUIDE

Estimated  
Yearly Energy Cost  
**\$11**

**\$3** | | | **\$34**

Cost Range of Similar Models (19" – 84")

- Based on 12 cents per kWh and 6.4 hours use per day
- **Your cost depends on rates and use**
- Energy Use: 40 Watts

All estimates based on typical use, excluding lights

Airflow  
**3,638**

Cubic Feet Per Minute

- The higher the airflow, the more air the fan will move
- Airflow Efficiency: 91 Cubic Feet Per Minute Per Watt

[ftc.gov/energy](http://ftc.gov/energy)

FAN SPEED	AIRFLOW (CFM)*	POWER USE (Watts)	AIRFLOW EFFICIENCY (CFM/Watt)
Low	1818	14.11	129
High	5092	59.95	85

**Ceiling fan airflow is measured in cubic feet per minute (CFM). Power use is measured in watts. To maximize energy savings:**

- Choose a fan with high airflow efficiency (CFM/watt).
- Use ENERGY STAR® rated bulbs in your fan.
- Switch off your fan when you leave the room.

\* Measure according to the DOE approved test method.

*For any additional information about your Minka Aire® Ceiling fan, please write to:*

**minkaAire**  
A Minka Group® Co.

1151 W. Bradford Court, Corona, CA 92882  
For Customer Assistance Call: 1-800-307-3267