



FEATURES

- Energy Savings of up to 90%
- Lumen Maintenance over 70% @ 50,000+ Hours
- No UV/IR Radiation, No Toxic Mercury
- Aluminum Construction in Black Finish
- Die Formed Aluminum
- Replaces 60W Incandescent

OPTICS

- Clear Water Glass

APPLICATIONS

- Outdoor Wall

CERTIFICATIONS

- UL/cUL Listed for Wet Locations
- Energy Star
- Lighting Facts

SPECIFICATIONS

Part Number: **LED7024-05**

Manufacturer Limited Warranty: 3 Years

Kelvin Temperature (CCT): 3000K

Wattage: 6 W

Lumens: 420 lm

Efficacy: 70 lm/w

CRI: 70

Dimmable: No

Input Voltage: DC 120V

Certifications: UL Listed

DLC Listed: No

Average Hour Life: 50,000 hrs

Max. Ambient Temperature: 45°C

Min. Ambient Temperature: -20°C

Power Factor: >0.9

THD: <20%

TECHNICAL

Weight: 1.82 lbs

Length: 7.75

Product Height: 11"

Product Width: 6.5"

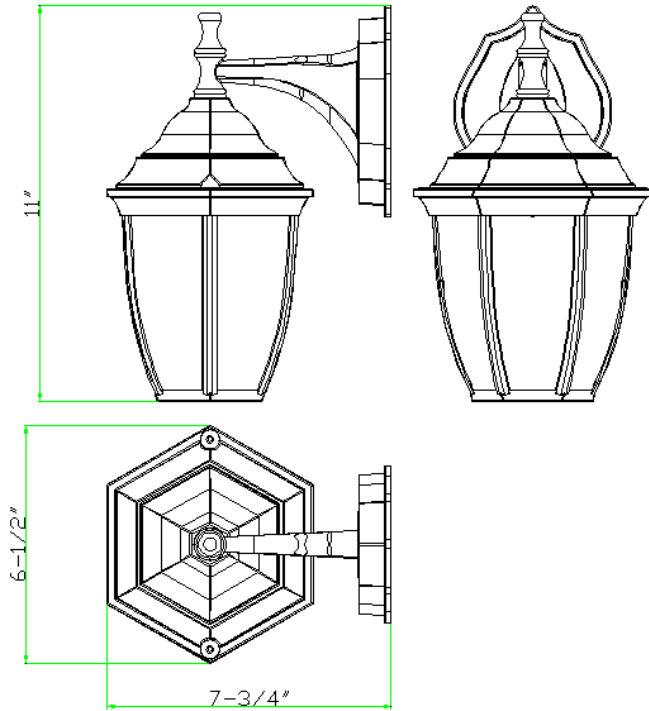
LED Beam Angel: 120

LED Type: Integrated LED Array





LINE DRAWINGS



LIGHTING FACTS

LED lighting facts[®]
A Program of the U.S. DOE

Light Output (Lumens) 420
Watts 6
Lumens per Watt (Efficacy) 70

Color Accuracy
Color Rendering Index (CRI) 70

Light Color
Correlated Color Temperature (CCT) 3000 (Bright White)

Warm White 3000K Bright White 4500K Daylight 6500K

All results are according to IESNA LM-79-2008: *Approved Method for the Electrical and Photometric Testing of Solid-State Lighting*. The U.S. Department of Energy (DOE) verifies product test data and results.

Visit www.lightingfacts.com for the *Label Reference Guide*.

Registration Number: ZMBK-AIYIRJ (Revised)
Model Number: LED7024-05
Type: Luminaire - Decorative