



FEATURES

- Energy Savings of up to 87%
- Lumen Maintenance over 70% @ 50,000+ Hours
- No UV/IR Radiation, No Toxic Mercury
- Steel Clips in Brushed Nickel and Oil Rubbed Bronze Finish
- Die Formed of 22 Gauge Plated Steel
- Replaces 2 x 60W Incandescent

OPTICS

- Alabaster-Style Glass

APPLICATIONS

- Hallways
- Bedrooms
- Lobbies
- Corridors

CERTIFICATIONS

- UL/cUL Listed
- Energy Star
- Lighting Facts

SPECIFICATIONS

Part Number: LED15007B

Manufacturer Limited Warranty: 3 Years

Kelvin Temperature (CCT): 2700K

Wattage: 15.3W

Lumens: 1397 lm

Efficacy: 91.31 lm/w

CRI: 80

Dimmable: 0-10V Dimming

Input Voltage: DC 120V

Certifications: UL Listed

DLC Listed: No

Average Hour Life: 50,000 hrs

Max. Ambient Temperature: 45°C

Min. Ambient Temperature: -20°C

Power Factor: >0.9

THD: <20%

TECHNICAL

Weight: 5.31 lbs

Length: 16-1/4"

Product Height: 4-1/2"

Product Width: 16-1/4"

LED Beam Angel: 120

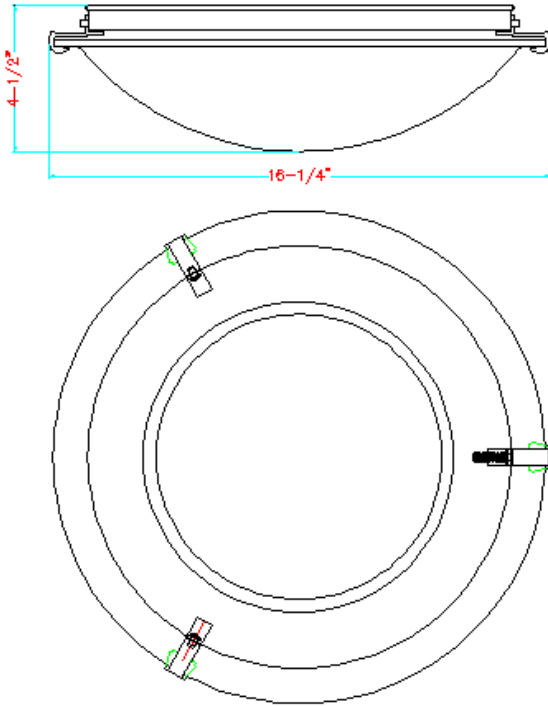
LED Type: Integrated LED Array





LINE DRAWINGS

LIGHTING FACTS



Cordelia Lighting

LED lighting facts
A Program of the U.S. DOE

Light Output (Lumens)	1397
Watts	15.3
Lumens per Watt (Efficacy)	91.31
Color Accuracy Color Rendering Index (CRI)	81
Light Color Correlated Color Temperature (CCT)	2700 (Warm White)

2700K 3000K 4500K 6500K

All results are according to IESNA LM-79-2008: *Approved Method for the Electrical and Photometric Testing of Solid-State Lighting*. The U.S. Department of Energy (DOE) verifies product test data and results.

Visit www.lightingfacts.com for the *Label Reference Guide*.

Registration Number: ZMBK-5NYUU4 (1/17/2017)
 Model Number: LED15007B
 Type: Luminaire - Downlight