



FEATURES

- Energy Savings of up to 86%
- Lumen Maintenance over 70% @ 50,000+ Hours
- No UV/IR Radiation, No Toxic Mercury
- Steel Pan in Brushed Nickel Finish
- Die Formed of 22 Gauge Plated Steel
- Replaces 1 x 75W Incandescent

OPTICS

- Alabaster-Style Glass

APPLICATIONS

- Hallways
- Lobbies
- Corridors
- Bathrooms

CERTIFICATIONS

- UL/cUL Listed
- Energy Star
- Lighting Facts

SPECIFICATIONS

Part Number: **LED15009A-35**

Manufacturer Limited Warranty: 3 Years

Kelvin Temperature (CCT): 3000K

Wattage: 10.12 W

Lumens: 713 lm

Efficacy: 70.45 lm/w

CRI: 80

Dimmable: No

Input Voltage: DC 120V

Certifications: UL Listed

DLC Listed: No

Average Hour Life: 50,000 hrs

Max. Ambient Temperature: 45°C

Min. Ambient Temperature: -20°C

Power Factor: >0.9

THD: <20%

TECHNICAL

Weight: 2.75 lbs

Length: 15"

Product Height: 7-1/2"

Product Width: 4"

LED Beam Angel: 120

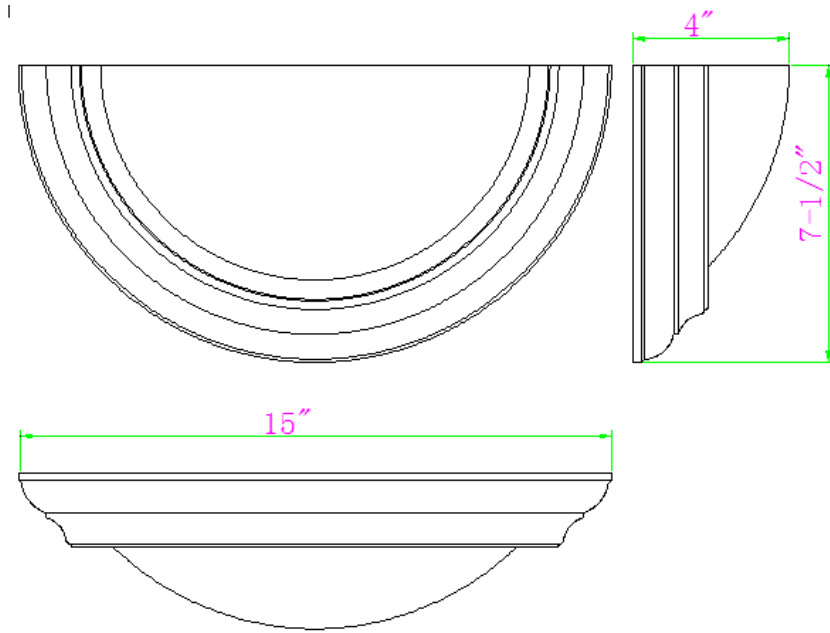
LED Type: Integrated LED Array





LINE DRAWINGS

LIGHTING FACTS



LED lighting facts[®]
A Program of the U.S. DOE

Cordelia Lighting

Light Output (Lumens)	713
Watts	10.12
Lumens per Watt (Efficacy)	70.45
Color Accuracy Color Rendering Index (CRI)	80
Light Color Correlated Color Temperature (CCT)	3000 (Bright White)

2700K 3000K 4500K 6500K

Warm White Bright White Daylight

All results are according to IESNA LM-79-2008: *Approved Method for the Electrical and Photometric Testing of Solid-State Lighting*. The U.S. Department of Energy (DOE) verifies product test data and results.

Visit www.lightingfacts.com for the *Label Reference Guide*.

Registration Number: ZMBK-VSBR61 (1/17/2017)
Model Number: LED15009A-##
Type: Luminaire - Decorative